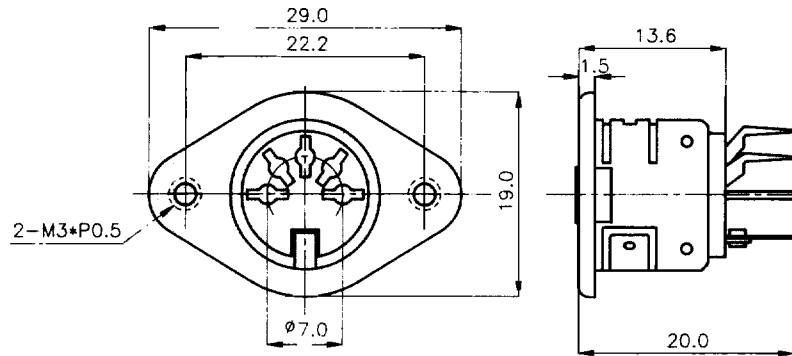
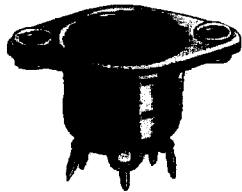




# A/D ELECTRONICS, INC.

## DIN SOCKET (METAL COVER TYPE)



**Specifications:**

Insulation Resistance:  
100M $\Omega$  at 500V D.C.

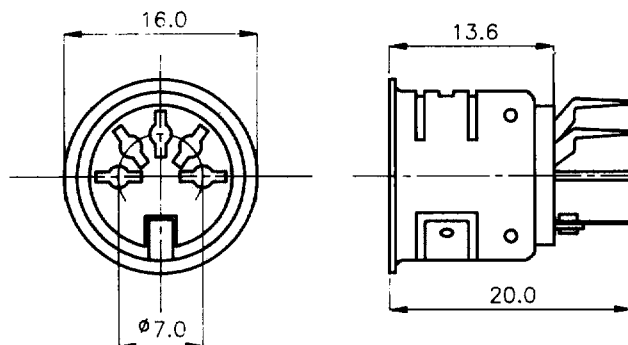
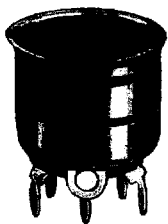
Dielectric Strength:  
1000V A.C./1 Minute

Contact Resistance:  
20m $\Omega$  MAX.

Rating: 100V A.C. 2A

ARRANGEMENT OF CONTACTS					
NO OF CONTACTS	4	5	6	7	8
MODEL NO	ADS-054	ADS-055	ADS-056	ADS-057	ADS-058

## DIN SOCKET (METAL COVER TYPE)



**Specifications:**

Insulation Resistance:  
100M $\Omega$  at 500V D.C.

Dielectric Strength:  
1000V A.C./1 Minute

Contact Resistance:  
20m $\Omega$  MAX.

Rating: 100V A.C. 2A

ARRANGEMENT OF CONTACTS					
NO OF CONTACTS	4	5	6	7	8
MODEL NO	ADS-064	ADS-065	ADS-066	ADS-067	ADS-068