

240PSR-C-CR

SMA Male Right Angle for CNT-240 braided cable



Product Classification

| | |
|----------------------|-------------------------|
| Product Type | Braided cable connector |
| Product Brand | CNT® |

General Specifications

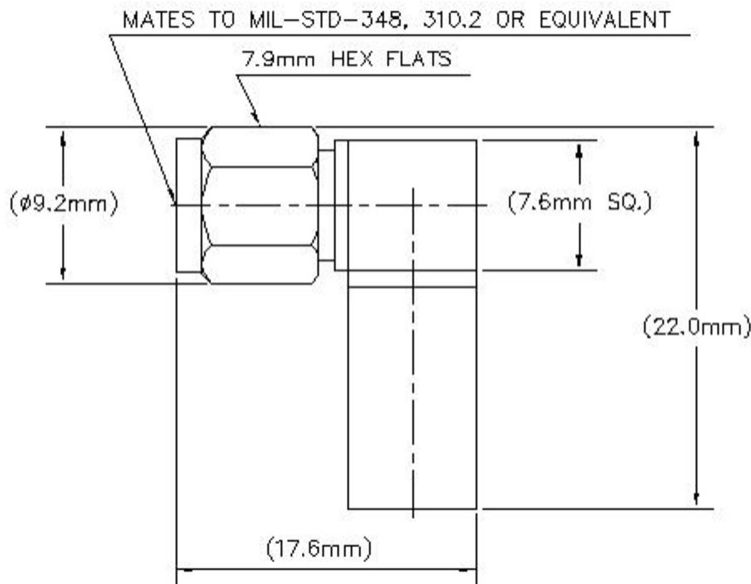
| | |
|--|-------------|
| Body Style | Right angle |
| Inner Contact Attachment Method | Captivated |
| Inner Contact Plating | Gold |
| Interface | SMA Male |
| Outer Contact Attachment Method | Crimp |
| Outer Contact Plating | Trimetal |
| Pressurizable | No |

Dimensions

| | |
|---------------------|---------------------|
| Height | 22.01 mm 0.867 in |
| Width | 7.92 mm 0.312 in |
| Length | 17.56 mm 0.691 in |
| Nominal Size | 0.240 in |

Outline Drawing

240PSR-C-CR



Electrical Specifications

| | |
|---|-------------------|
| Insertion Loss, typical | 0.05 dB |
| Average Power at Frequency | 260.0 W @ 900 MHz |
| Cable Impedance | 50 ohm |
| Connector Impedance | 50 ohm |
| dc Test Voltage | 1000 V |
| Inner Contact Resistance, maximum | 3 mOhm |
| Insulation Resistance, minimum | 5000 MOhm |
| Operating Frequency Band | 0 – 6000 MHz |
| Outer Contact Resistance, maximum | 2.5 mOhm |
| Peak Power, maximum | 5 kW |
| RF Operating Voltage, maximum (vrms) | 500 V |

VSWR/Return Loss

| Frequency Band | VSWR | Return Loss (dB) |
|----------------|------|------------------|
| 0–3000 MHz | 1.06 | 30.72 |
| 3000–6000 MHz | 1.12 | 24.95 |

Mechanical Specifications

| | |
|--|--------------------|
| Connector Retention Tensile Force | 134 N 30.124 lbf |
|--|--------------------|

240PSR-C-CR

| | |
|--|------------------------|
| Connector Retention Torque | 0.23 N-m 2.036 in lb |
| Coupling Nut Proof Torque | 1.7 N-m 15.046 in lb |
| Coupling Nut Proof Torque Method | IEC 61169-15:9.3.6 |
| Coupling Nut Retention Force | 180 N 40.466 lbf |
| Coupling Nut Retention Force Method | IEC 61169-15:9.3.11 |
| Insertion Force | 22 N 4.946 lbf |
| Insertion Force Method | IEC 61169-15:9.3.5 |
| Interface Durability | 500 cycles |
| Interface Durability Method | IEC 61169-15:9.5 |
| Mechanical Shock Test Method | IEC 60068-2-27 |

Environmental Specifications

| | |
|---|---------------------------------------|
| Operating Temperature | -40 °C to +85 °C (-40 °F to +185 °F) |
| Storage Temperature | -65 °C to +125 °C (-85 °F to +257 °F) |
| Attenuation, Ambient Temperature | 20 °C 68 °F |
| Average Power, Ambient Temperature | 40 °C 104 °F |
| Average Power, Inner Conductor Temperature | 100 °C 212 °F |
| Climatic Sequence Test Method | IEC 60068-1 |
| Corrosion Test Method | IEC 60068-2-11 |
| Damp Heat Steady State Test Method | IEC 60068-2-3 |
| Thermal Shock Test Method | IEC 60068-2-14 |
| Vibration Test Method | IEC 60068-2-6 |
| Water Jetting Test Mating | Mated |
| Water Jetting Test Method | IEC 60529:2001, IP65 |

Packaging and Weights

| | |
|--------------------|--------------------|
| Weight, net | 10.56 g 0.023 lb |
|--------------------|--------------------|

Regulatory Compliance/Certifications

| Agency | Classification |
|---------------|--|
| ISO 9001:2015 | Designed, manufactured and/or distributed under this quality management system |



240PSR-C-CR

* Footnotes

Insertion Loss, typical $0.05\sqrt{\text{freq (GHz)}}$ (not applicable for elliptical waveguide)