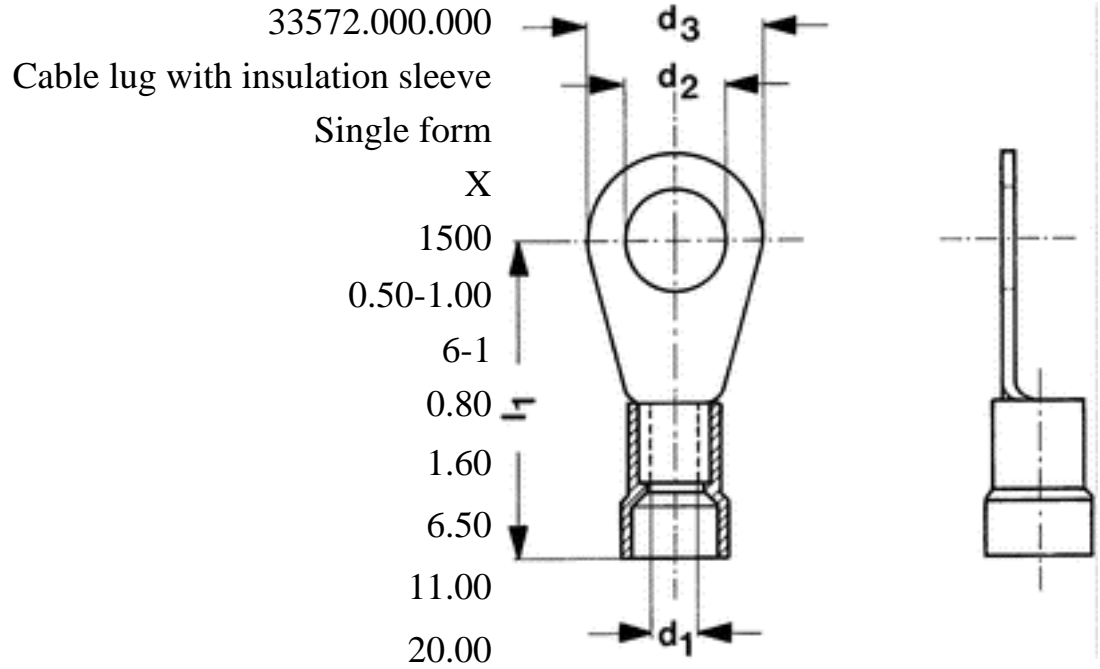




Characteristics and dimensions of terminals

Part number
Specification
Form
Assembly
Packing unit / piece
Section area (mm²)
Nominal size
Material thickness (mm)
d₁
d₂
d₃
l₁



Note: The drawing only gives an overview of the geometry of the part. The crimp area is shown as supplied in strip form. A technical drawing is available on request.

[Contents of your inquiry](#)

Packing Units (per 1500 pieces) CW