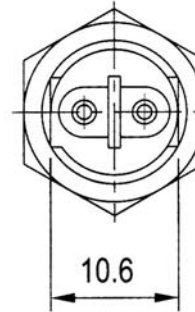
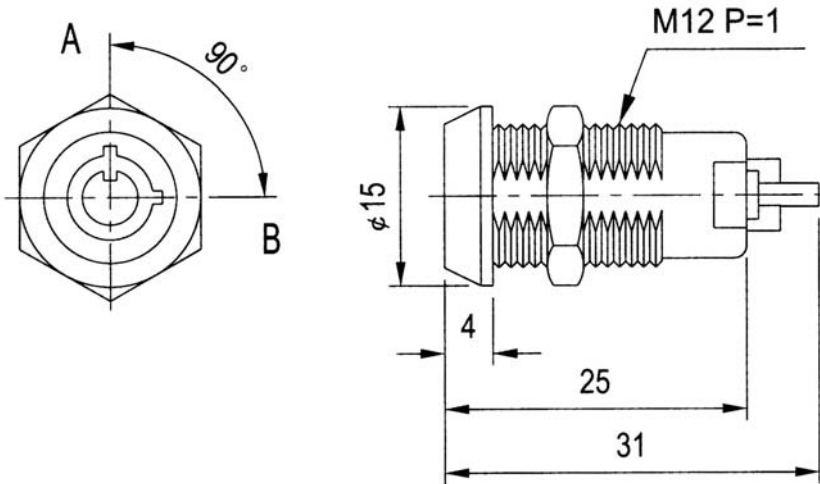
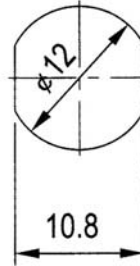


- - Off position
- ▬ - Indicates key pull
- - Indicates no key-pull



**SPECIFICATIONS**

- Zinc alloy die cast housing and cylinder
- Bright chrome plated standard
- 4 pin tumbler mechanism
- Zinc alloy tubular keys, chrome plated, plastic cover
- Key-pull in off position only
- Silver plated contacts and terminals
- 2 positions (off-on), 2 terminals
- Hex nut mounted
- All keyed alike or 200 combinations standard
- 200 key combinations available

| Series          | Style   | Key Combinations  |
|-----------------|---|---|
| SWTK            | NS106-1                                       | X   |
| Key lock switch | ø12mm cylinder, key-pull in off position only | A=All keyed alike<br>B=All keyed different (up to 200 combinations)<br>C=Customer specified |

RoHS compliant

| Rev. | Description | Date | Approved | Drawing    | Name        | Date        |
|------|-------------|------|----------|------------|-------------|-------------|
|      |             |      |          | Approved   | Howard      | 08/10/99    |
|      |             |      |          | Checked    | Lizzy       | 08/10/99    |
|      |             |      |          | Drawn      | Tina        | 08/10/99    |
|      |             |      |          | 0.0 ± 0.35 | 0.00 ± 0.20 | Angles ± 3' |
|      |             |      |          | UNIT: mm   |             |             |

**Central Components Manufacturing**  
 440 Lincoln Blvd., Middlesex, New Jersey 08846  
 Phone 732 469-5720 888 288-5152 Fax 732 469-1919

Part No.: **SWTK-NS106-1-X**

Description: Micro switch lock, 12mm diameter, key-pull in off position only