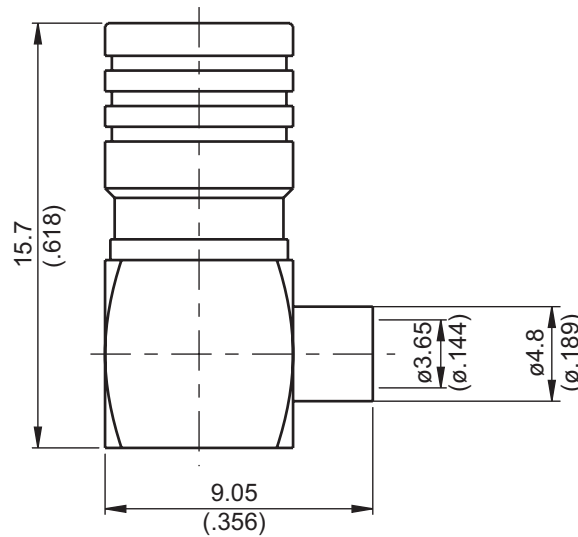


SMB3300-9141

SMB Plug Solder Right Angle 50Ω



Parts	Material	Plating (Micro-inch)
Cover	Brass	Gold 5 Over Nickel 50 Over Copper 50
Retainer Ring	Beryllium Copper	Tin-Zinc-Copper-Alloy 100 Over Copper 50
Contact Pin	Phosphor Bronze	Gold 20 Over Nickel 50 Over Copper 50
Insulator	Teflon	
Body	Brass	Gold 5 Over Nickel 50 Over Copper 50
Barrel	Brass	Gold 5 Over Nickel 50 Over Copper 50
Coupling Nut	Brass	Gold 5 Over Nickel 50 Over Copper 50

Weight: 3.05 g

Suitable Cables: Semi-Rigid.141

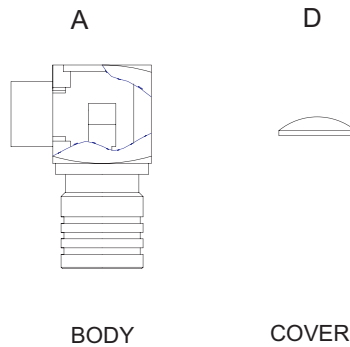
This part number complies with RoHS.

Notice: JYEBAO reserves the right to make modifications deemed appropriate.

CABLE ASSEMBLY INSTRUCTION

SMB3300-9141

JYE BAO CO., LTD.



* TOOLS AND FIXTURES ARE REFERENCE ON PAGE 306 OF JYEBAO'S 2005 CATALOG.

DIAGRAM	ASSEMBLY INSTRUCTION
	<p>Step 1: STRIP AS SHOWN .</p>
	<p>Step 2: PUT CABLE INTO SOLDERING FIXTURE "ST-008 "AND LOCK IT .</p> <p>Step 3: PUT BODY AS SHOW AND SCREW "ST-011 " TO THE POSITION IN " S " .</p> <p>Step 4: SLIDE CENTER CONDUCTOR ON THE CONTACT PIN OF CONNECTOR "A " ,AND SOLDER IN " Y " .</p> <p>Step 5: SOLDER IN " Z " .</p>
	<p>Step 6: PRESS ON THE TOP OF 'D' WITH JIGS AS FIGURE .</p>

This part number complies with RoHS.

Notice: JYEBAO reserves the right to make modifications deemed appropriate.