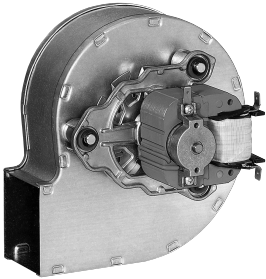


RLE120/3400-3030LH

# AC centrifugal fan

forward-curved, single-intake

with housing (without flange), Gas blower for conventional heating



## ebm-papst Landshut GmbH

Hofmark-Aich-Straße 25

D-84030 Landshut

Phone +49 (0) 871 707-0

Fax +49 (0) 871 707-465

info3@de.ebmpapst.com

www.ebmpapst.com

## Nominal data

Type	RLE120/3400-3030LH	
Phase		1~
Nominal voltage	VAC	230
Frequency	Hz	50
Speed	min <sup>-1</sup>	1550
Power consumption	W	62
Current draw	A	0.52
Max. temp. of flow medium	°C	250
Air flow	m <sup>3</sup> /h	130
Pressure increase	Pa	350

ml = Max. load · me = Max. efficiency · fa = Free air · cs = Customer specification · ce = Customer equipment  
Subject to change



RLE120/3400-3030LH

# AC centrifugal fan

forward-curved, single-intake

with housing (without flange), Gas blower for conventional heating

## Technical description

<b>Weight</b>	1.6 kg
<b>Impeller material</b>	Fire-aluminized steel
<b>Housing material</b>	Fire-aluminized steel
<b>Insulation class</b>	"H"
<b>Cable</b>	Flat plug 6.3 x 0.8



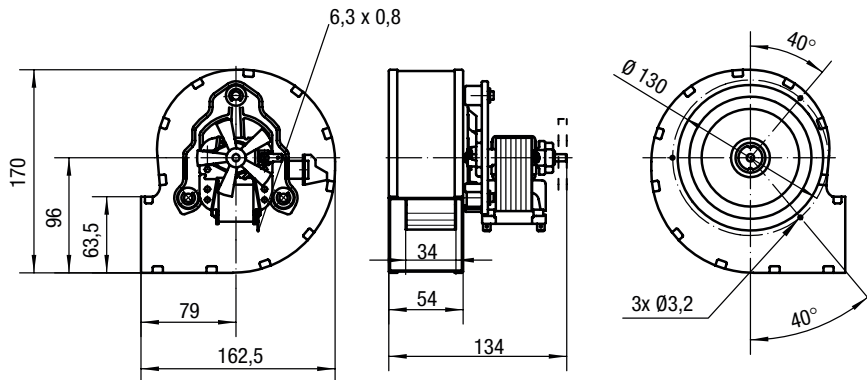
RLE120/3400-3030LH

# AC centrifugal fan

forward-curved, single-intake

with housing (without flange), Gas blower for conventional heating

## Product drawing

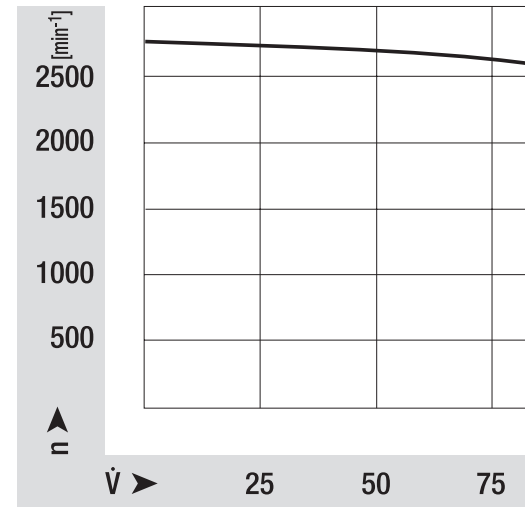
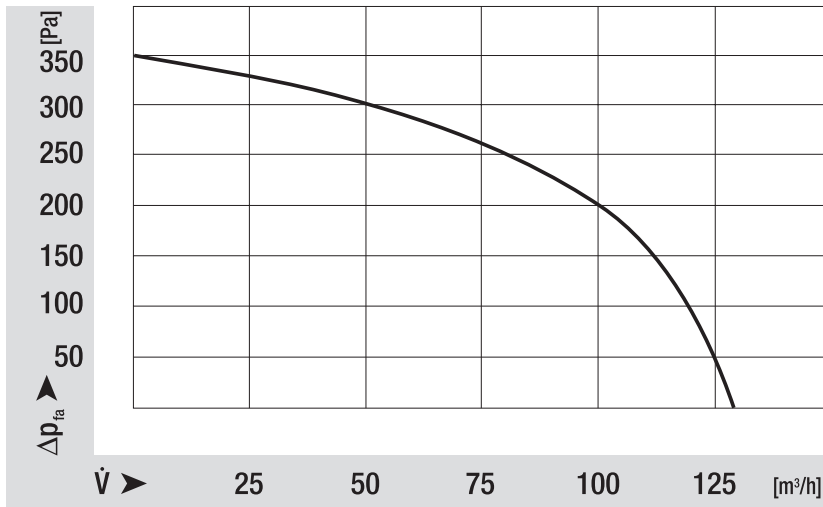


# AC centrifugal fan

forward-curved, single-intake

with housing (without flange), Gas blower for conventional heating

## Curves: Air performance



# AC centrifugal fan

forward-curved, single-intake

with housing (without flange), Gas blower for conventional heating

## Curves: Speed

