

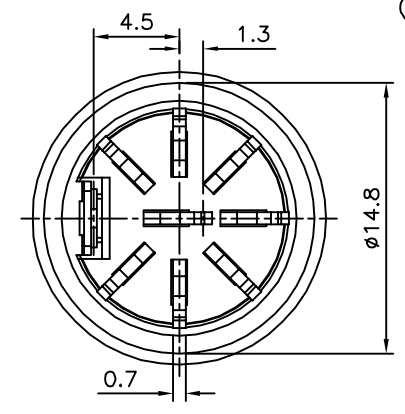
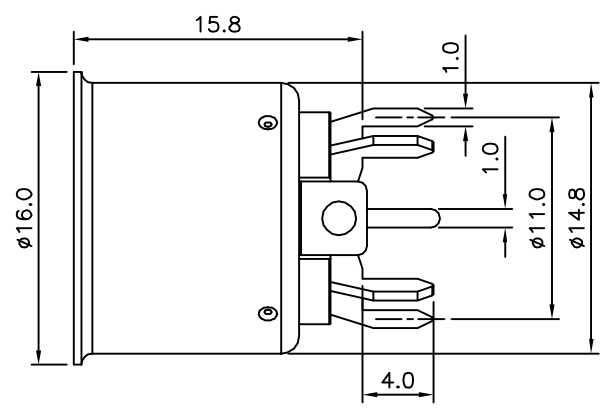
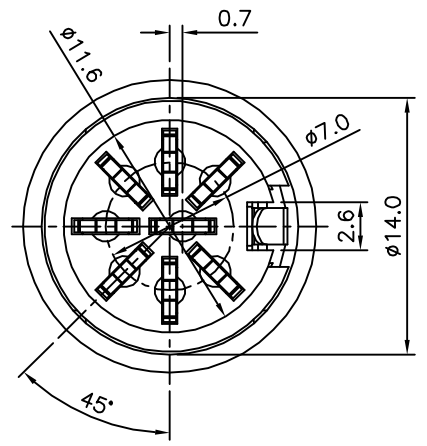
Recommended P.C.B. Layout

SPECIFICATION

Withstand Voltage:500V AC For 1 Minute
 Contact Resistance:30 Milliohms Max.
 Insulation Resistance:100 Megaohms Min. At 500V DC
 RoHS Compliant

DJ 08 D K - 13 - H
 (1) (2) (3) (4) (5)

- (1) DJ: Din Jack
- (2) 08: No. Of Position
- (3) D: DIP Straight
- (4) K: With Kink
- (5) H: RoHS Compliant



④	Terminals	Brass	Silver Plated Over Nickel	8
③	8P Housing	PBT+15%G.F.	—	1
②	GND Contact	Phosphor Bronze	Silver Plated Over Nickel	1
①	Shield Cover	Steel	Nickel Plated	1
No.	Description	Material	Remark	Qty

AUK A MEMBER OF AUK GROUP
太聯事業股份有限公司
AUK CONTRACTORS CO., LTD.

CATEGORY		APPROVED BY	
PART No.		MEI	
DJ08DK-13-H		HZF	
DRAWING No.		DRAWING BY	
DJ08DK-13-H		SONG	
SCALE	NONE	REV.	A0

UNLESS OTHERWISE SPECIFIED TOLERANCES ARE
 .X ±0.25
 .XX ±0.10
 ANG.

UNIT	mm	NO.	REV.	REVISIONS	CHK	DATE
△	A0	NEW RELEASE	HZF	10/07/2013		