



BOARD LEVEL COOLING - Slide On 7142

Slide On 7142 is a slide on narrow channel board level heat sink designed to cool TO-220 and TO-220-single gauge devices. Representative image only.



ORDERING INFORMATION

Part Number	Device Type
7142DG	TO-220, TO-220-single gauge

HEAT SINK DETAILS

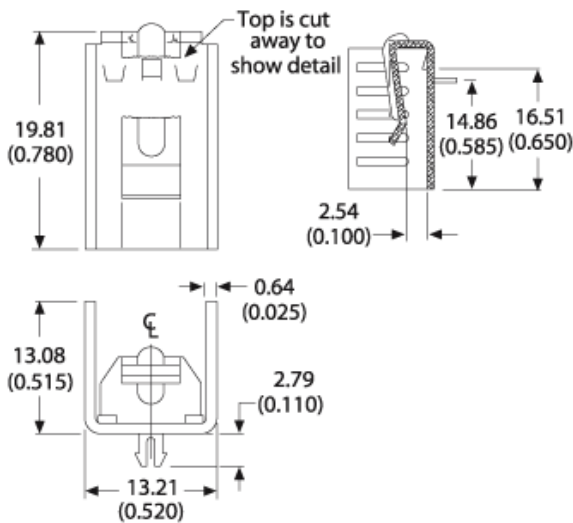
Property	Details
Material	Copper
Finish	Tin-Plated
Device Attachment Options	Integrated Mounting Clip
Thermal Interface Material	-

Property	Details
Heat Sink Width (mm)	13.21
Heat Sink Length (mm)	13.08
Heat Sink Height (mm)	19.81
Heat Sink Mounting Direction	Horizontal

MECHANICAL & PERFORMANCE

Drawing dimensions are shown in mm, (in)

Part Number	"Y" Dim	"Z" Dim
7142DG	1.40 (0.055)	3.18 (0.125)



Mounting Details:

