

SPEC SHEET

# B22Q

## 2 to 8 GHz

Triple Balanced Mixers



### Specifications

RF Frequency	2 to 8 GHz
LO Frequency	2 to 8 GHz
LO Power	19 dBm typ

### Transfer Characteristics

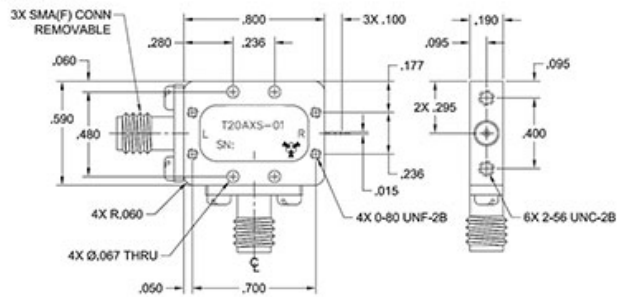
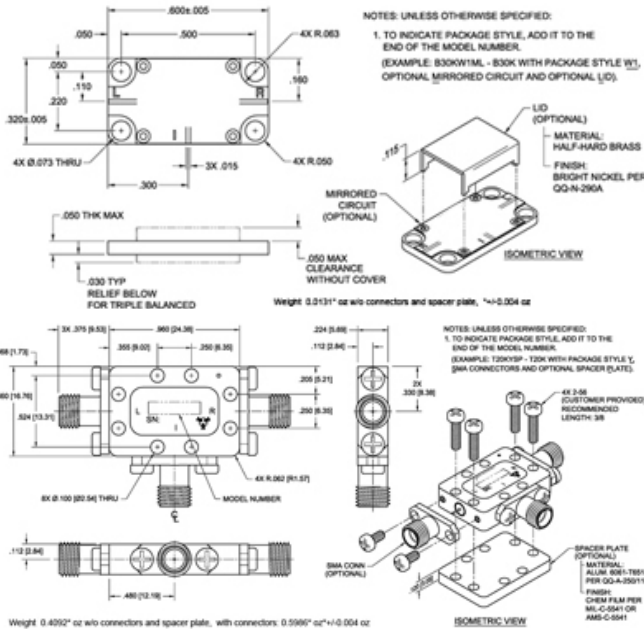
Conversion Loss	6.2 dB typ 8.5 dB max
IF Frequency	2 to 6 GHz
LO to RF Isolation	16 dB min 24 dB typ
LO to IF Isolation	16 dB min 28 dB typ
IP3 In	21 dBm typ
P1dB In	13 dBm typ

### Available Package Styles

Available Package Styles

W1,X,Y

X PACKAGE



### Environmental Ratings

Operating Temp -55 °C to 100 °C

### Notes



Microwave RF Components | Manteca, CAL | 1-209-825-3977 | [rf.mrcy.com](http://rf.mrcy.com)  
Specifications subject to change without notice

[Request a Quote](#) | [Ask an Engineer](#)  