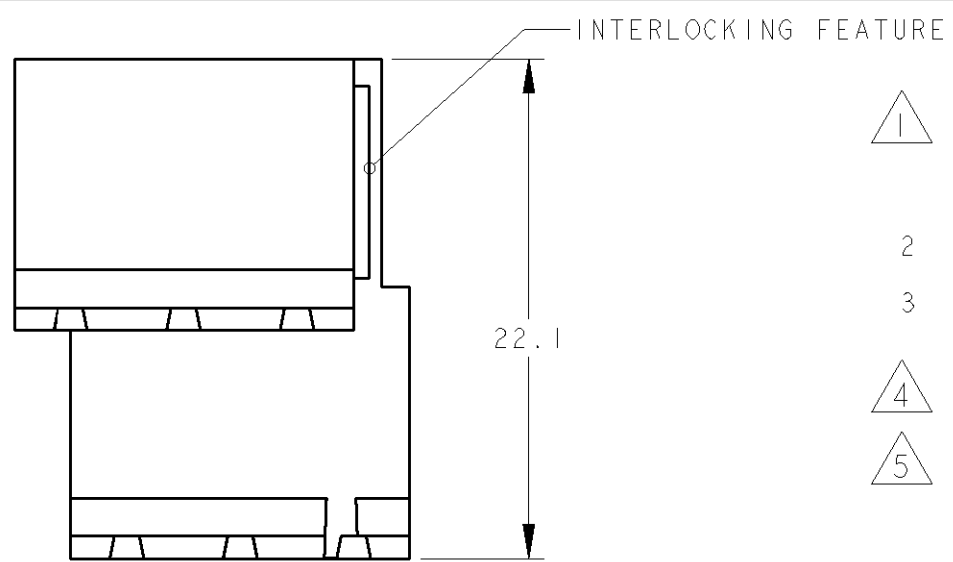
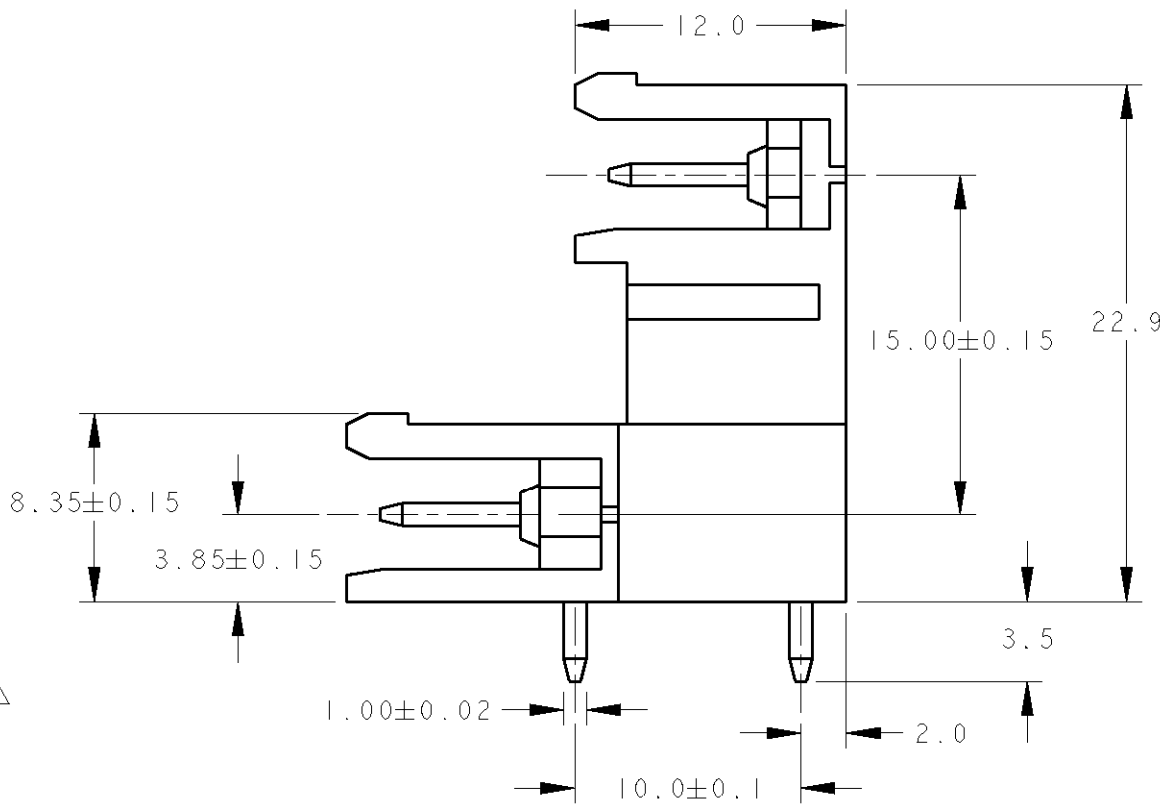
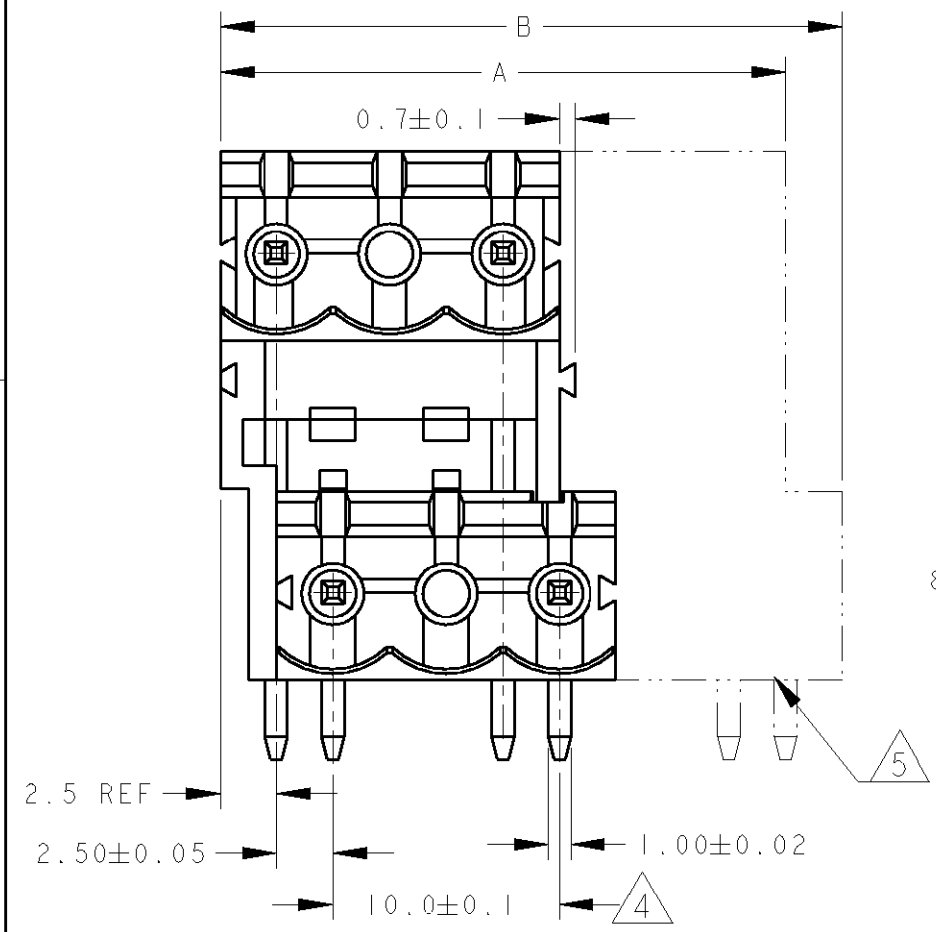
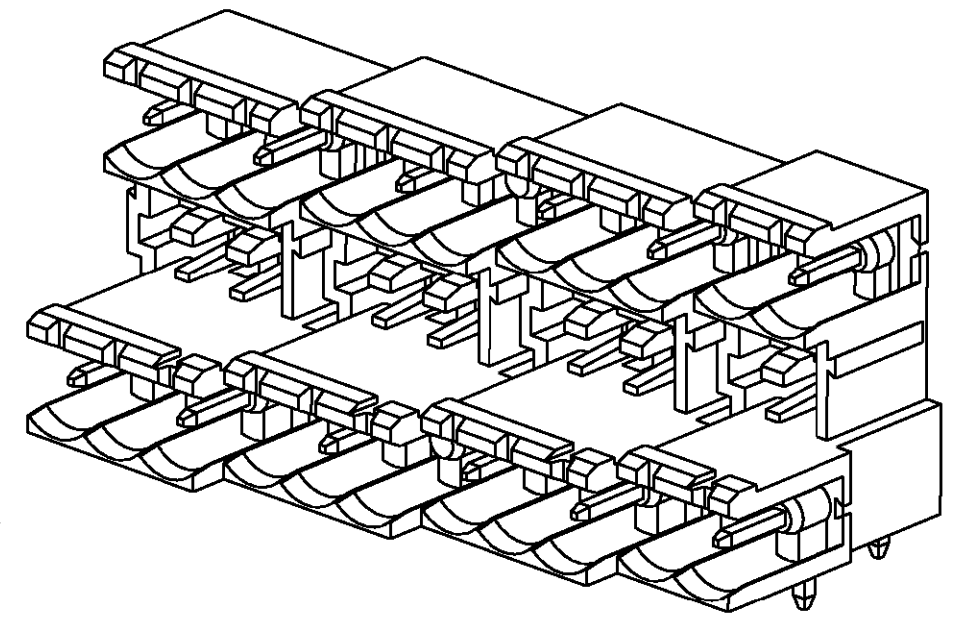


THIS DRAWING IS UNPUBLISHED. RELEASED FOR PUBLICATION 20  
 © COPYRIGHT 20 BY TYCO ELECTRONICS CORPORATION. ALL RIGHTS RESERVED.

LOC	DIST	REVISIONS			
P	LTR	DESCRIPTION	DATE	DWN	APVD
FT	0	B	REVISED PER 0G3B-0119-01	07JAN2002	EZ DB

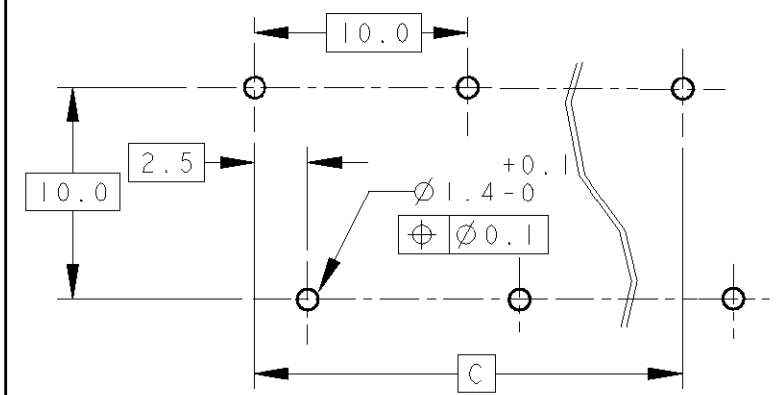


- 1 MATERIALS AND FINISH  
HOUSING: PA 6-6, UL 94-V0, COLOR GREEN.  
TERMINAL: PHOSPHOR BRONZE, TIN PLATED.
- 2 SUITABLE FOR 1,6-2,4mm PC BOARD THICKNESS.
- 3 END-TO-END STACKABLE WITHOUT LOSS OF CENTERLINE SPACING.
- 4 NOT CUMULATIVE TOLERANCE.
- 5 P/N FROM 284054-3 TO 1-284054-3 ARE OBTAINED BY ASSEMBLING DIFFERENT MONOLITHIC MODULES CHOSEN AMONG: 284054-2 AND 284054-3, IN ORDER TO REALIZE THE DESIRED NUMBER OF WAYS.



DIM"A"	DIM"B"	DIM"C"	N°OF POS.	PART NUMBER
125	127.5	120.0	13	1-284054-3
115	117.5	110.0	12	1-284054-2
105	107.5	100.0	11	1-284054-1
95	97.5	90.0	10	1-284054-0
85	87.5	80.0	9	284054-9
75	77.5	70.0	8	284054-8
65	67.5	60.0	7	284054-7
55	57.5	50.0	6	284054-6
45	47.5	40.0	5	284054-5
35	35.5	30.0	4	284054-4
25	27.5	20.0	3	284054-3
15	17.5	-	2	284054-2

RECOMMENDED PC BOARD LAYOUT



THIS DRAWING IS A CONTROLLED DOCUMENT FOR TYCO ELECTRONICS CORPORATION. IT IS SUBJECT TO CHANGE AND THE CONTROLLING ENGINEERING ORGANIZATION SHOULD BE CONTACTED FOR THE LATEST REVISION.

DIMENSIONS:	TOLERANCES UNLESS OTHERWISE SPECIFIED:	DWN	07JAN2002	<b>BUCHANAN</b> Tyco Electronics Harrisburg, PA 17105-3608
mm		CHK	07JAN2002	
		APVD	07JAN2002	
		PRODUCT SPEC		
	0 PLC ±.3	APVD	07JAN2002	NAME
	1 PLC ±.3	PRODUCT SPEC		TERMINAL BLOCK
	2 PLC ±.25	APPLICATION SPEC		MULTIPLE HEADER ASSEMBLY 90°
	3 PLC ±.	WEIGHT		STACKING W/INTERLOCK 10.0mm PITCH
	4 PLC ±.			SIZE
	ANGLES ±2			CAGE CODE
MATERIAL	FINISH			DRAWING NO
				RESTRICTED TO
				A3 00779 C=284054
				SCALE 3:1
				SHEET 1 OF 1
				REV B

CUSTOMER DRAWING