

RED INDICATES ORIGINAL

DWG
SIZE
C

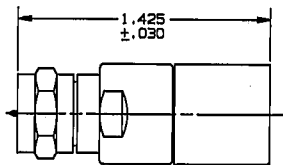
DATA CONTAINED IN THIS DOCUMENT IS
PROPRIETARY TO TROMPETER ELECTRONICS INC.
AND SHALL NOT BE DISCLOSED, COPIED OR USED
FOR REPRODUCTION OF MANUFACTURE WITHOUT
EXPRESS WRITTEN PERMISSION.

REVISIONS			105-1073	SH. 1	
REV	ECO	DESCRIPTION	DWN	APPROVED	DATE
D	10737	DIM .56 ±.03 WAS .955 ±.010; DIM .290 ±.010 WAS .290 ±.005; SEE ECO	DKC	<i>Bum, SPT</i>	6/28/94

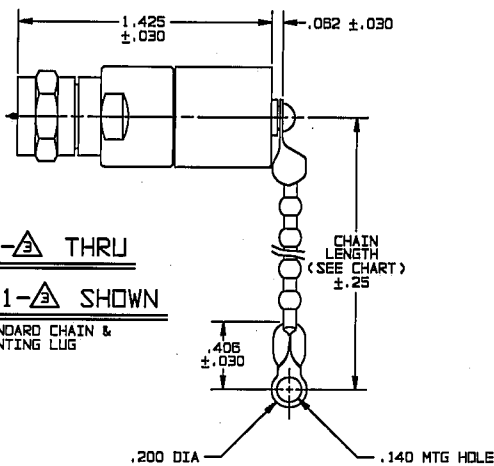
DASH NO	DESCRIPTION
-1	TERM (NO CHAIN)
-2	TERM WITH 2.5 BRASS CHAIN
-3	TERM WITH 2.5 NYLON CHAIN
-4	TERM WITH 3.0 BRASS CHAIN
-5	TERM WITH 3.0 NYLON CHAIN
-6	TERM WITH 6.0 BRASS CHAIN
-7	TERM WITH 6.0 NYLON CHAIN
-8	TERM WITH 4.0 BRASS CHAIN
-9	TERM WITH 4.0 NYLON CHAIN
-10	TERM WITH 10.0 BRASS CHAIN
-11	TERM WITH 10.0 NYLON CHAIN
-12	TERM WITH 2.5 SST ROPE
-13	TERM WITH 3.0 SST ROPE
-14	TERM WITH 6.0 SST ROPE

DASH NO	"A" DIA	"B" DIA	"C" DIM
-02	.630	.750	1.066
-03	.505	.625	.941
-04	.439	.562	.878
-05	.380	.500	.816
-06	.317	.437	.753
-07	.281	.406	.722
-08	.610	.750	1.066
-09	.567	.687	1.003

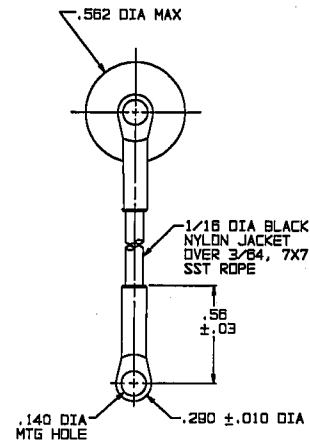
INCH		MM		INCH		MM		INCH		MM	
.005	0.13	.317	8.06	.810	15.49	1.003	25.48				
.010	0.25	.380	9.65	.625	15.88	1.066	27.08				
.030	0.76	.406	10.31	.630	16.00	1.425	36.20				
.032	0.81	.437	11.10	.687	17.45	2.50	63.50				
.062	1.58	.439	11.15	.722	18.34	3.00	76.20				
.140	3.56	.500	12.70	.750	19.05	4.00	101.60				
.200	5.08	.505	12.83	.753	19.13	6.00	152.40				
.25	6.35	.56	14.22	.816	20.73	10.00	254.00				
.281	7.14	.562	14.27	.878	22.30						
.290	7.37	.567	14.40	.941	23.90						



-1-A SHOWN
NO CHAIN/ROPE OR MOUNTING LUG

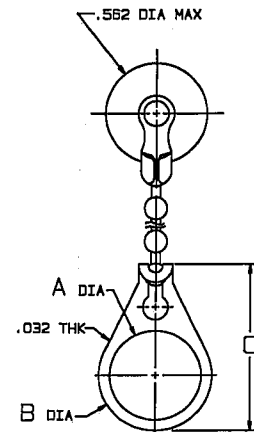


-2-A THRU
-11-A SHOWN
STANDARD CHAIN & MOUNTING LUG



-12-A THRU

-14-A SHOWN
STAINLESS STEEL ROPE AND MOUNTING LUG



-2-A-D2 THRU

-11-A-D9 SHOWN
STANDARD CHAIN AND BULKHEAD JACK MOUNTING LUG

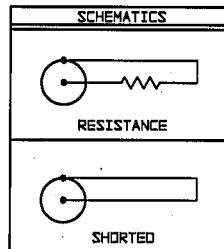
5. EXAMPLE OF COMPLETE MODEL NO: **TNF1-1-A-D2**
- BASIC MODEL NO: **TNF1-1** — PLUG W/MOUNTING LUG OPTION ONLY AVAILABLE WITH BRASS OR NYLON CHAIN (SEE TABLE 2)
- DASH NO FOR CHAIN/ROPE MATL AND LENGTH (SEE TABLE 1): **-1-A**

4. TERMINATED 75 OHM COAXIAL "F" TYPE PLUG WITH OR WITHOUT CHAIN/ROPE AND MOUNTING LUG OPTIONS

A RESISTANCE VALUE IN OHMS (1/2 W, 1%)
S = CONTACT SHORTED TO CASE

2. FINISH: TFS-1A (NICKEL)

1. ALL DIMENSIONS ARE IN INCHES



QTY	DESCRIPTION	PART NUMBER	ITEM
TOL UNLESS SPECIFIED .XX ± .XXX ±.005 .XXXX ANGLES	TROMPETER ELECTRONICS, INC.	TNF1	
DWN DKC 6-14-94	MATERIAL	CODE IDENT	DRAWING NO.
CHK <i>Dm</i> 6-28-94	—	14949	105-1073
ENGR	SCALE 2/1	DATE 1-18-82	SHEET 1 OF 2
NEXT ASSY	APPR <i>DKC</i> 6/28/94		