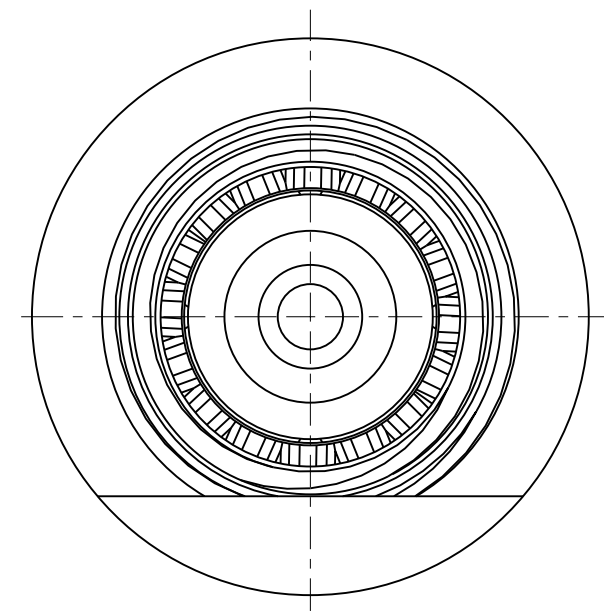
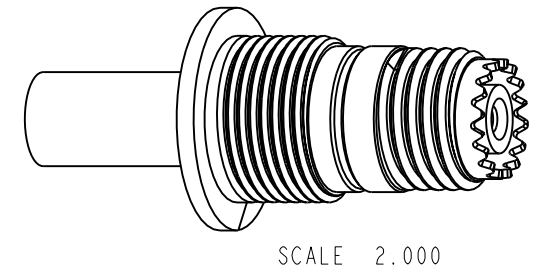
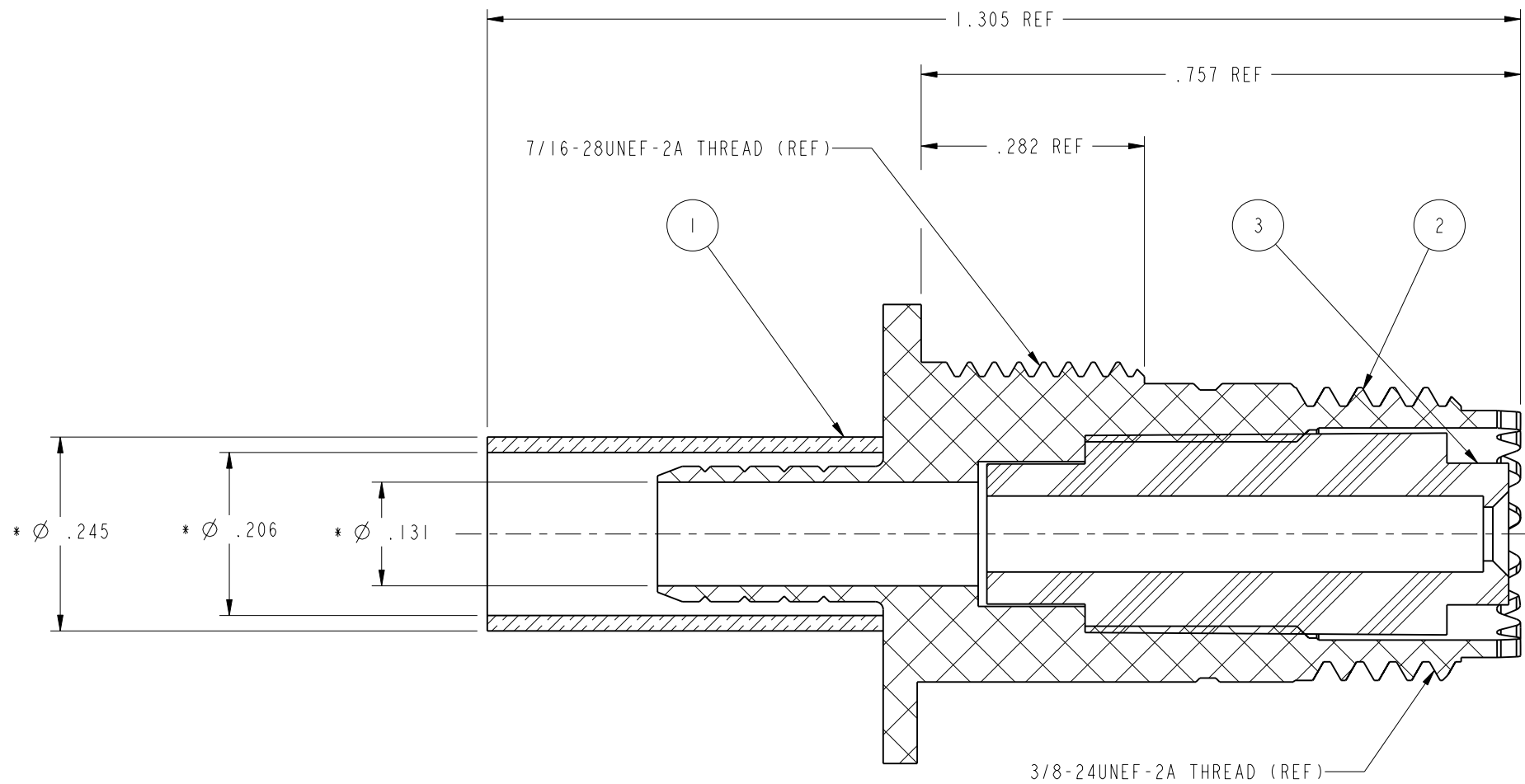


NOTE:

- PLATING MUST CONFORM TO AMPHENOL SPEC. 349-50560.
 BODY = ZAMAK #3 PER ASTM-B86, TIN PLATED (.000100/.000300) THICK PER MIL-T-10727
 INSULATOR = TPX (POLYMETHYLPENTENE) GRADE MX002 OR RT18
 COLOR TO BE NATURAL
 GENERAL FINISH - 32 RMS UNLESS OTHERWISE SPECIFIED
 FERRULE = SEAMLESS COPPER TUBING, ALLOY 122 (DHP),
 ASTM-B75 HARD, DRAWN TO ROCKWELL 58-77 ON 30T SCALE, TIN PLATED (.000100/.000300) THICK PER MIL-T-10727
- ASTERISK (*) INDICATES CABLE ENTRY DIMENSIONS.
- PACKAGING:
 BULK PACKAGE 100 CONNECTORS PER BAG.
 BULK PACKAGE 100 FERRULES PER BAG.
 PACKAGE THE 2 BAGS IN ONE BAG.
 MARK BAG OR TAG "81-208-4050 YYWW".
- DO NOT SCALE THIS DRAWING.
- CONTACT NOT SUPPLIED WITH CONNECTOR. CONTACT MUST BE ORDERED SEPARATELY.
 FOR MACHINED CONTACT ORDER: 81-8110-TE. FOR STAMPED TAPE AND REEL CONTACT ORDER: 81-8109-TE.

81-208-4050		REVISIONS			
DRAWING NO.	REV	DESCRIPTION	DATE	ECO	APPR
THIRD ANGLE PROJ.	A	RELEASE FOR MFG.	6/26/02	44094	CPM

CONFIGURATION CONTROL:
 NO CHANGES PERMITTED TO DRAWING WITHOUT
 PPAP QUALIFIED CUSTOMER APPROVAL



81-8143	1	3	INSULATOR	
81-8142-TE	1	2	BODY	NOTE 1
81-8118-TE	1	1	FERRULE	NOTE 1
PART NUMBER	QTY.	ITEM	DESCRIPTION	FINISH

UNLESS OTHERWISE SPECIFIED, DIMENSIONS ARE IN INCHES AND TOLERANCES ARE: 2 PLACE DECIMAL 3 PLACE DECIMAL ANGLES ±.015 (0,381 mm) ±.005 (0,127 mm) ± 1°	MATERIAL	DRAWN	DATE	MINI-UHF SNAP ON BULKHEAD RECEPTACLE FOR RG-58/U	Amphenol Amphenol Corporation Communication and Network Products Division Danbury, CT U.S.A. 06810 SCALE: 5.0:1 SHEET 1 OF 1		
	REFERENCE	ENGINEER	DATE				
NOTICE - These drawings, specifications, or other data (1) are, and remain the property of Amphenol Corp. (2) must be returned upon request; and (3) are confidential and not to be disclosed to any person other than those to whom they are given by Amphenol Corp. The furnishing of these drawings, specifications, or other data by Amphenol Corp., or to any other person to anyone for any purpose is not to be regarded by implication or otherwise in any manner licensing, granting rights or permitting such holder or any other person to manufacture, use or sell any product, process or design, patented or otherwise, that may in any way be related to or disclosed by said drawings, specifications, or other data.	MODEL: 81-208-4050	APPROVED	DATE	CODE ID	DWG SIZE	DRAWING NO.	REV
			O. BARTHELMES	6/20/02	74868	B	81-208-4050