

ATM 155Mbps UTP Transceiver

GENERAL DESCRIPTION

The ML6674 is a complete monolithic transceiver for 155Mbps NRZ encoded data transmission over category 5 unshielded twisted pair (UTP) and shielded twisted pair (STP) cables. The ML6674 is compliant with the ATM 155Mbps Twisted Pair Specification. The ML6674 includes the baseline restoration function and adaptive equalization which will accurately compensate for line losses exceeding 100m of UTP.

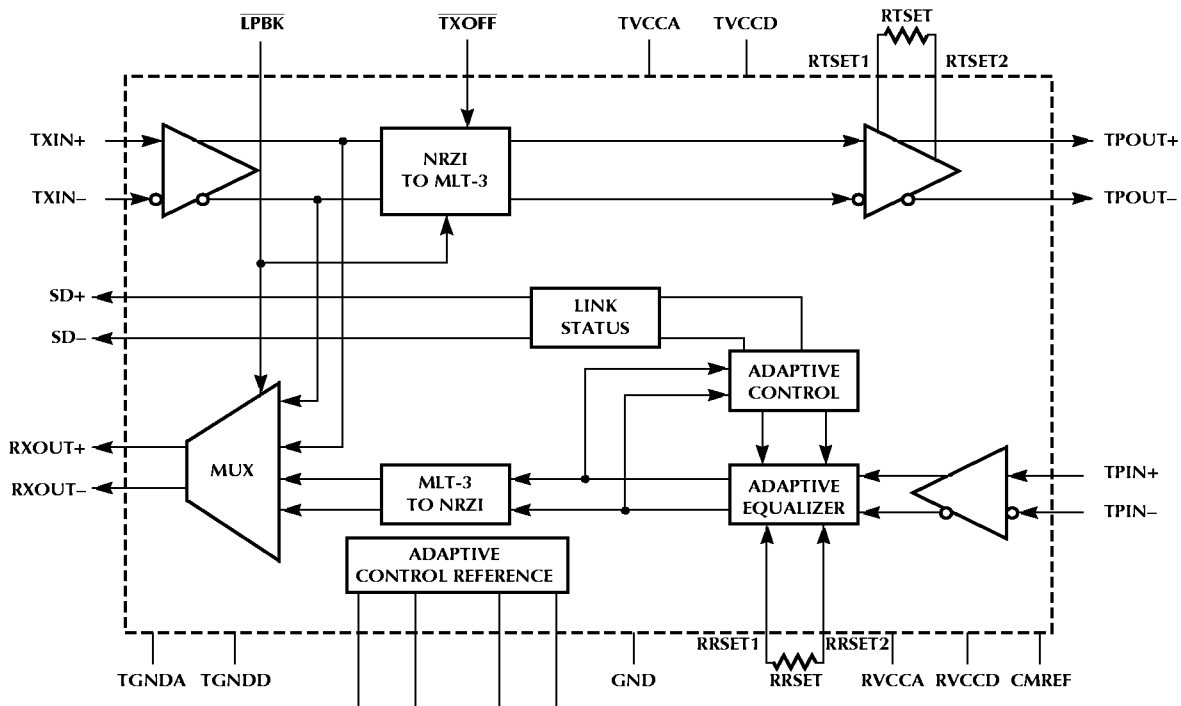
The ML6674 receive section consists of an equalizing filter with a feedback loop for controlling effective line compensation. The feedback loop contains a filter and detection block for determining the proper control signal. An ECL 100K compatible buffer at the output interfaces directly with ATM physical interface chips.

The ML6674 transmit section accepts ECL 100K compatible NRZ inputs.

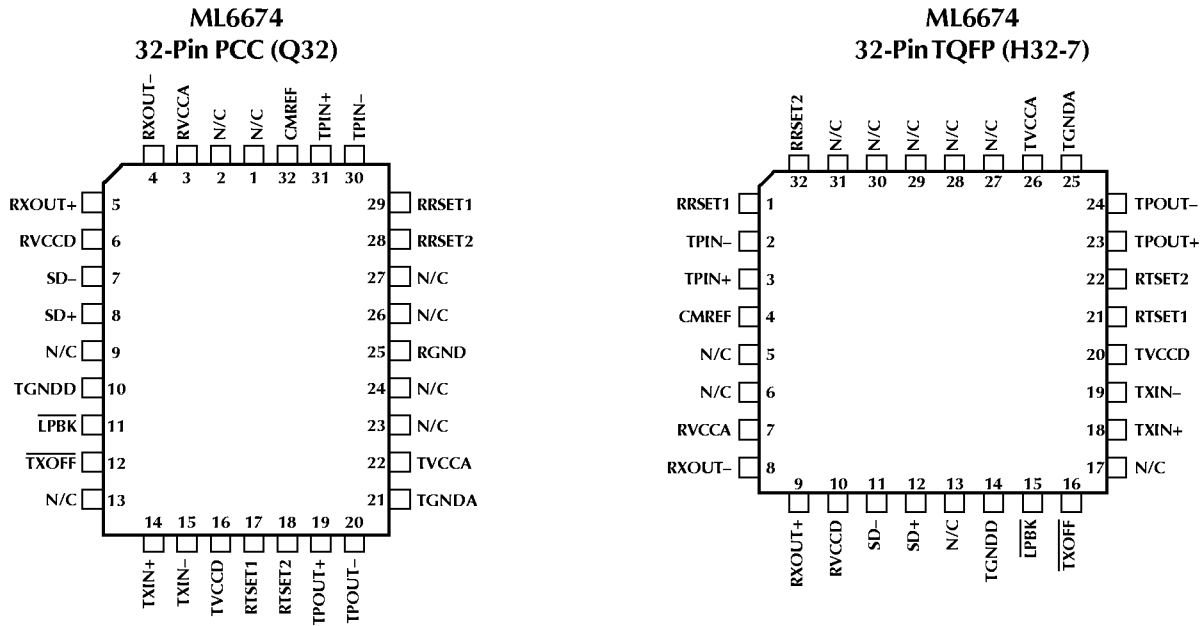
FEATURES

- Complies with ATM Forum 155Mbps twisted pair specification
- Integrated baseline wander correction circuit
- Integrated adaptive equalization
- Transmitter can be externally turned off (high impedance) for true quiet line
- Operates over 100 meters of STP or category 5 UTP Twisted Pair Cable
- 32-pin PLCC and TQFP

BLOCK DIAGRAM



PIN CONFIGURATION



PIN DESCRIPTION

NAME	FUNCTION	NAME	FUNCTION
TX _N +, TX _N -	These differential ECL100K compatible inputs receive NRZ data from the PHY for transmission.	SD+, SD-	These differential ECL100K compatible outputs indicate the presence of a data signal with an amplitude exceeding a preset threshold.
TPOUT+, TPOUT-	Outputs from the NRZ buffer drive these differential current outputs. The transmitter filter/transform module connects the media to these pins.	TPIN+, TPIN-	NRZ encoded data from the receiver filter/transform module enters the Receiver through these pins.
LPBK	This TTL input enables transmitter-Receiver loopback internally when asserted low.	RXOUT+, RXOUT-	Differential ECL100K compatible outputs provide NRZ encoded data to the PHY.
TXOFF	This TTL input forces the NRZ driver to a high impedance state when asserted low and shuts off transmit bias current.	RRSET1, RRSET2	Internal time constants controlling the equalizer's transfer function are set by an external resistor connected across these pins.
RTSET1, RTSET2	An external 1% resistor connected between these pins controls the transmitter output current amplitude. $I_{OUT} = 32 \times 1.25V / RTSET$	CMREF	This pin provides a DC common mode reference point for the receiver inputs.
TVCCA, TVCCD	Separate analog and digital transmitter power supply pins help to isolate sensitive circuitry from noise generating digital functions. Both supplies are nominally +5 volts.	RVCCA, RVCCD	Analog and digital supply pins are separated to isolate clean and noisy circuit functions. Both supplies are nominally +5 volts.
TGNDA, TGNDD	Analog and digital transmitter grounds provide separate return paths for clean and noisy signals.	RGND	Receiver ground.

ABSOLUTE MAXIMUM RATINGS

Absolute maximum ratings are limits beyond which the life of the integrated circuit may be impaired. All voltages unless otherwise specified are measured with respect to ground.

V _{CC} Supply Voltage Range	GND -0.3V to 6V
Input Voltage Range	
Digital Inputs	GND -0.3V to V _{CC} + 0.3V
Output Current	
TPOUT+ / TPOUT-, SD±, RXOUT±	50mA
All other outputs	10mA
Junction Temperature	150°C

Storage Temperature	-65°C to 150°C
Lead Temperature (Soldering, 10 sec)	260°C
Thermal Resistance (θ _{JA})	
PLCC	60°C/W
TQFP	80°C/W

OPERATING CONDITIONS

V _{CC} Supply Voltage	5V ± 5%
T _A , Ambient Temperature	0°C to 70°C
RTSET	2kΩ ± 1%
RRSET	9.53kΩ ± 1%
Receive transformer insertion loss	< -0.5dB

ELECTRICAL CHARACTERISTICS

Unless otherwise specified, T_A = T_{MIN} to T_{MAX}, V_{CC} = 5V ± 5%, RTSET = 2.0kΩ. (Note 1)

PARAMETER	CONDITIONS	MIN	TYP	MAX	UNITS
DC Characteristics					
Supply Current					
RVCCD			74		mA
RVCCA			65		mA
TVCCD			14		mA
TVCCA			6		mA
RVCCD + RVCCA + TVCCD + TVCCA				185	mA
TTL Inputs (XOFF, LPBK)					
V _{IL} Input Low Voltage				0.8	V
V _{IH} Input High Voltage		2.0			V
Differential Inputs (TPIN±, TXIN±)					
TPIN+, TPIN- Common Mode Input Voltage		2.2		V _{CC}	V
TPIN+, TPIN- Differential Input Voltage				1.5	V
TPIN+, TPIN- Differential Input Resistance		10			kΩ
TPIN+, TPIN- Common Mode Input Current				+10	μA
TXIN+, TXIN- Input Voltage HIGH (V _{IH})		V _{CC} -1.165		V _{CC} -0.88	V
TXIN+, TXIN- Input Voltage LOW (V _{IL})		V _{CC} -1.810		V _{CC} -1.475	V
TXIN+, TXIN- Input Current LOW (I _{IL})		0.5			μA
TXIN+, TXIN- Input Current HIGH (I _{IH})				50	μA
Differential Outputs (SD±, RXOUT±, TPOUT±)					
SD+, SD-, RXOUT+, RXOUT- Output Voltage HIGH (V _{OH})	Note 3	V _{CC} -1.025		V _{CC} -0.88	V
SD+, SD-, RXOUT+, RXOUT- Output Voltage LOW (V _{OL})	Note 3	V _{CC} -1.81		V _{CC} -1.62	V
TPOUT+, TPOUT- Differential Output Current HIGH	V _{OUT} = V _{CC} ± 0.5, Note 2	19.0		21.0	mA

ELECTRICAL CHARACTERISTICS (CONTINUED)

PARAMETER	CONDITIONS	MIN	TYP	MAX	UNITS
Differential Outputs ($S_D \pm$, $RXO_U T \pm$, $TPO_U T \pm$) (Continued)					
$TPO_U T+$, $TPO_U T-$ Differential Output Current LOW	$V_{OUT} = V_{CC} \pm 0.5$, Note 2	0		0.1	mA
$TPO_U T+$, $TPO_U T-$ Output Current Offset				0.5	mA
$TPO_U T+$, $TPO_U T-$ Output Amplitude Error $V_{OUT} = V_{CC}$	Note 2	-5.0		5.0	%
$TPO_U T+$, $TPO_U T-$ Output Voltage Compliance $V_{OUT} = V_{CC} \pm 1.1V$		-2.0		+2.0	%
AC Characteristics					
$TPO_U T+$, $TPO_U T-$ Rise/Fall Time		1.5	2.0	2.5	ns
$TPO_U T+$, $TPO_U T-$ Output Jitter			0.5		ns
$RXO_U T+$, $RXO_U T-$ Rise/Fall Time				5	ns
$RXO_U T+$, $RXO_U T-$ Output Jitter			2.0		ns

Note 1. Limits are guaranteed by 100% testing, sampling, or correlation with worst-case test conditions.

Note 2. Output current amplitude is determined by $I_{OUT} = 32 \times 1.25V / R_{TSET}$.

Note 3. Output voltage levels are specified when terminated by 50Ω to $V_{CC} - 2V$ or equivalent load.

FUNCTIONAL DESCRIPTION

The ML6674 transceiver is a physical media dependent transceiver that allows the transmission and reception of 155 Mbps data over 100 meters over shielded twisted pair cable or category 5 unshielded twisted pair cable.

The transmit section accepts NRZ data, sending the information on a two pin current driven transmitter. The transmitted output passes through an external low pass filter and transformer before entering the connectors to the STP or UTP cable. The output amplitude of the transmitted signal is programmable through the external RTSET resistor.

The receive section accepts NRZ coded data after it passes through an isolation transformer and band limiting filter. The adaptive equalizer is used to compensate for the amplitude and phase distortion incurred from the cable. The adaptive control section determines the signal amplitude (and therefore the cable length) and adjusts the equalizer accordingly. As the input signal amplitude diminishes, the amount of equalization increases until it reaches its maximum (Figure 1).

The receiver also includes the Baseline Wander correction circuitry. The circuit will compensate and track the DC baseline wander caused by DC imbalance of the received data. A 10pF capacitor can be connected between TPIN+ and TPIN- to improve Bit Error Rate.

The adaptive control block governs both the equalization level as well as the signal detection status. Signal detect is asserted when the equalizer control loop settles, or when loop back is asserted. When the input signal is small, the equalization will be at its maximum.

After the signal has been equalized, it is fed through the loopback multiplexer onto the RXOUT± pins.

Figure 1 shows a typical gain vs frequency plot of the adaptive equalizer for 0, 25, 50, 75 and 100 meter category 5 cable lengths.

TRANSMISSION

PECL level scrambled NRZ data is received by the ML6674 and the current driven transmitter then sends the data to the filter/transformer module. The transmit amplitude is controlled by one external resistor, RTSET.

$$I_{OUT} = \frac{32 \times 1.25V}{RTSET}$$

For ATM UTP applications the transmit amplitude is 1V peak to peak. The termination at the transmitter output is 50Ω. Therefore the transmit current $I_{OUT} = 1/50 = 20 \text{ mA}$. Thus,

$$RTSET = \frac{32 \times 1.25V}{20 \text{ mA}} = 2k\Omega$$

The transmitter may be disabled via the TXOFF pin. When this pin is pulled low, the transmitter's output goes to a

high impedance state and no current flows through the transformer.

ADAPTIVE EQUALIZATION

During transmission of data over UTP (unshielded twisted pair), distortion and ISI are caused by dispersion in the cable. Equalization is used to overcome this signal corruption. However, the distortion is frequency dependent and cable length dependent. Therefore, in most practical cases, the TP port characteristic is unknown and it is impractical to tune the equalizer specifically to each individual port. Hence, adaptive equalizer is used in the TP-PMD to ensure proper compensation of the received signal.

By using adaptive equalizer, the receiver automatically compensates different length of cable without over equalizing or under equalizing the line. The ML6674 monitors the amplitude of the received signal to determine the cable length and adjust the equalizer accordingly. The input signal level is inversely proportional to the cable length. Therefore, as the signal level decreases, the amount of equalization is increased to compensate for the line loss.

ML6672 COMPATIBILITY

The ML6674 implements the Baseline Wander correction circuit, in addition to providing the functionality of the existing ML6672 device. The ML6674 is plug-compatible with the ML6672 with the following notes:

- In the ML6674 design, the RTSET resistor must be 2.0kΩ
- In the ML6674 design, the following passive components used in the ML6672 design may be eliminated from the ML6674 design
 - RSET resistor
 - RTH resistor
 - CAP1 capacitor
 - CAP2 capacitor

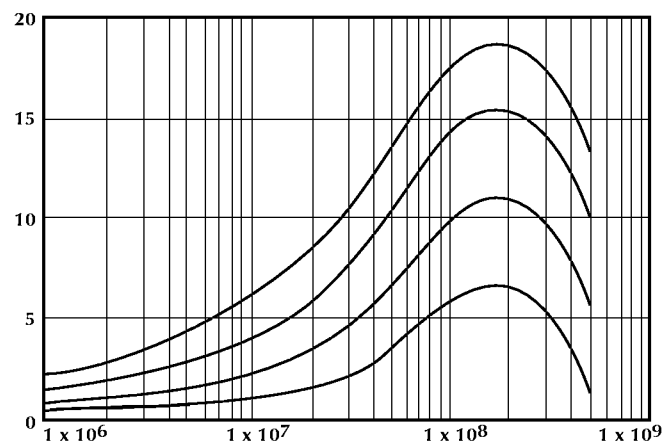
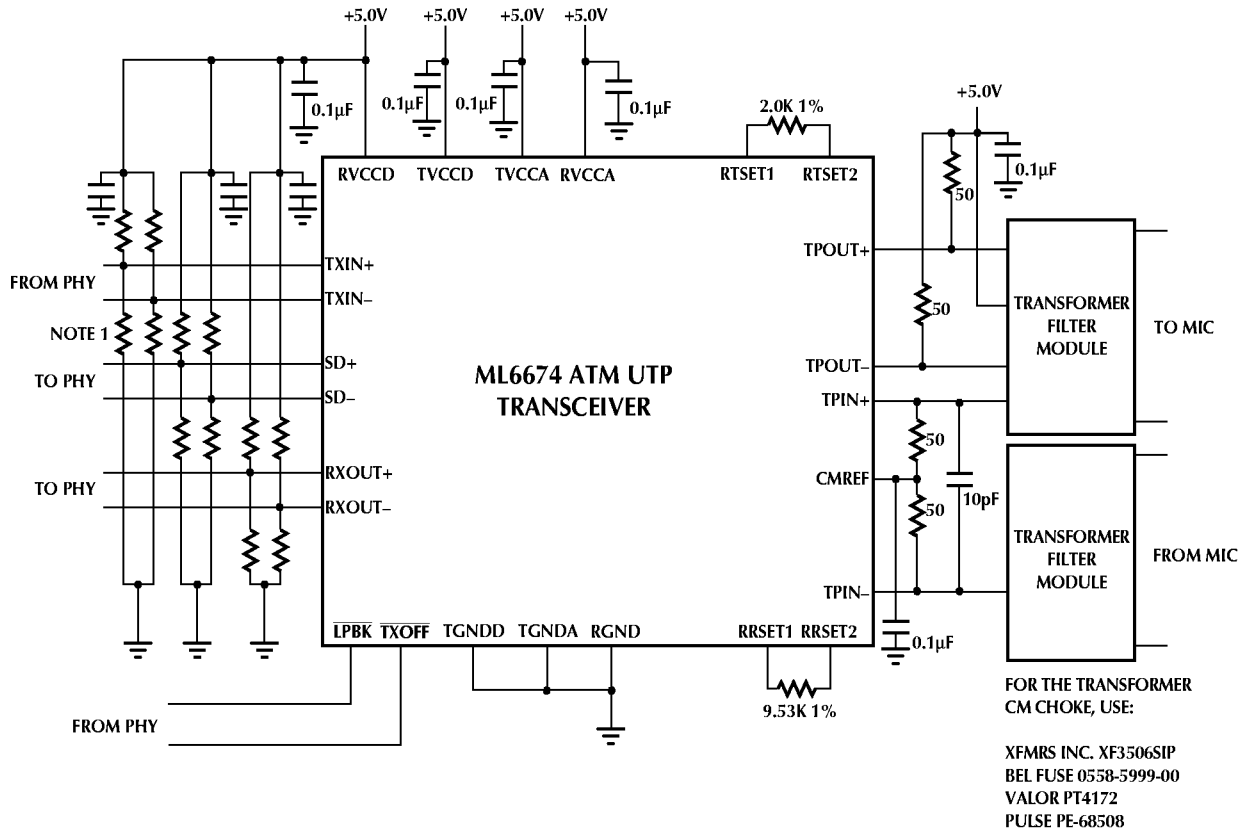


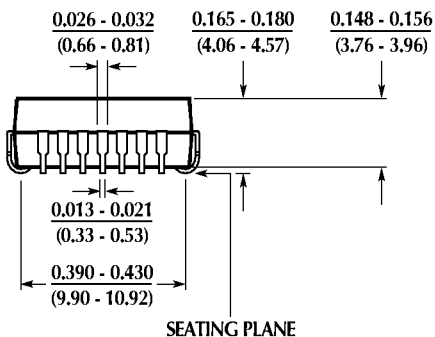
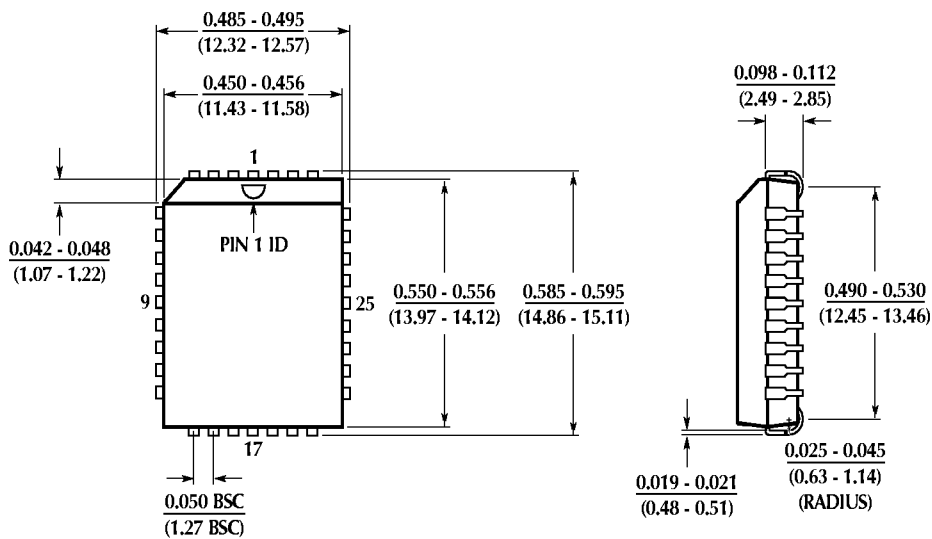
Figure 1. Equalization Range



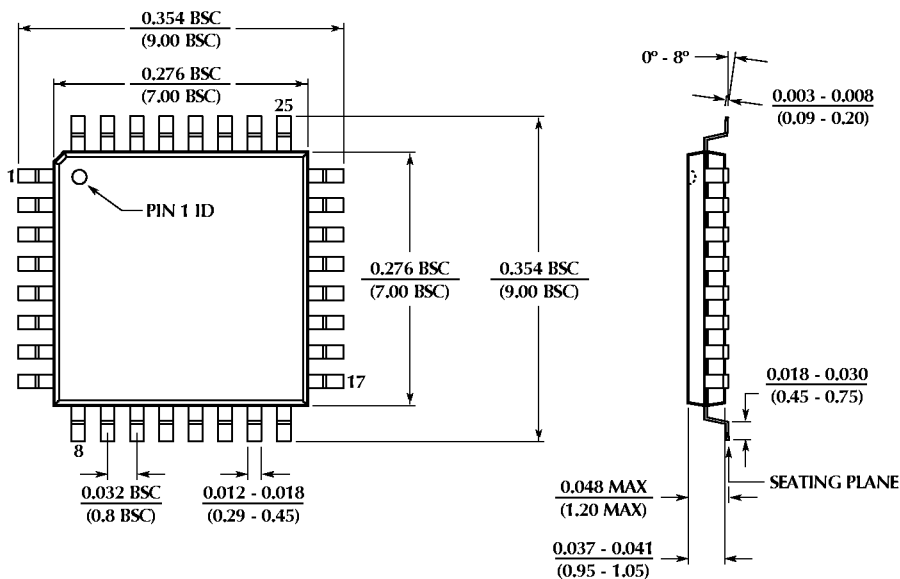
Application Example of ML6674 Configured for 1.0V_{p-p} Transmit Amplitude on C5 UTP.

- Note 1.** Split 100K ECL terminations are 82Ω and 130Ω to VCC and GND respectively.
- Note 2.** Recommended power supply bypass capacitors are 0.1µF with optional 10µF tantalum in parallel.
- Note 3.** Transformer turns ratio is 1:1.
- Note 4.** LPBK and TXOFF inputs are active LOW.

PHYSICAL DIMENSIONS inches (millimeters)




Package: H32-7
32-Pin (7 x 7 x 1mm) TQFP



ORDERING INFORMATION

PART NUMBER	TEMPERATURE RANGE	PACKAGE
ML6674	CQ 0°C to 70°C	32-Pin PICC (Q 32)
ML6674CH	0°C to 70°C	32-Pin TQFP (# 32-7)

© Micro Linear 1998.  **Micro Linear** is a registered trademark of Micro Linear Corporation. All other trademarks are the property of their respective owners.

Products described herein may be covered by one or more of the following U.S. patents: 4,897,611; 4,964,026; 5,027,116; 5,281,862; 5,283,483; 5,418,502; 5,508,570; 5,510,727; 5,523,940; 5,546,017; 5,559,470; 5,565,761; 5,592,128; 5,594,376; 5,652,479; 5,661,427; 5,663,874; 5,672,959; 5,689,167; 5,714,897; 5,717,798; 5,742,151; 5,747,977; 5,754,012; 5,757,174; 5,767,653; 5,777,514; 5,793,168; 5,798,635; 5,804,950; 5,808,455; 5,811,999; 5,818,207; 5,818,669; 5,825,165; 5,825,223; 5,838,723. Japan: 2,598,946; 2,619,299; 2,704,176; 2,821,714. Other patents are pending.

Micro Linear reserves the right to make changes to any product herein to improve reliability, function or design. Micro Linear does not assume any liability arising out of the application or use of any product described herein, neither does it convey any license under its patent rights or the rights of others. The circuits contained in this data sheet are offered as possible applications only. Micro Linear makes no warranties or representations as to whether the illustrated circuits infringe any intellectual property rights of others, and will accept no responsibility or liability for use of any application herein. The customer is urged to consult with appropriate legal counsel before deciding on a particular application.

2092 Concourse Drive
San Jose, CA 95131
Tel: 408/433-5200
Fax: 408/432-0295
www.microlinear.com



To receive a price quote or to request a product sample, call or send e-mail to your local representative.

When sending e-mail, be sure to include the Micro Linear part number and whether you want a price quote or a sample in the subject line.

(i.e. subject: Sample request - ML part#xxxx)

[Click here to find your local representative](#)

