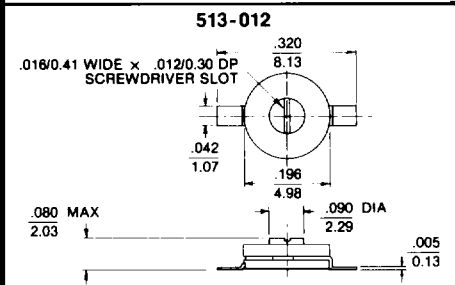
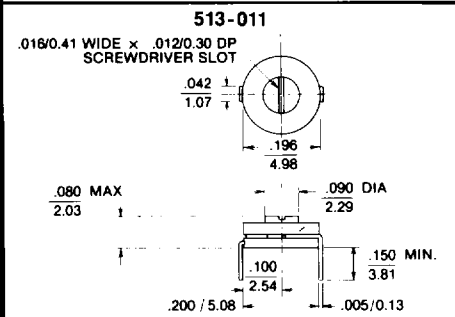
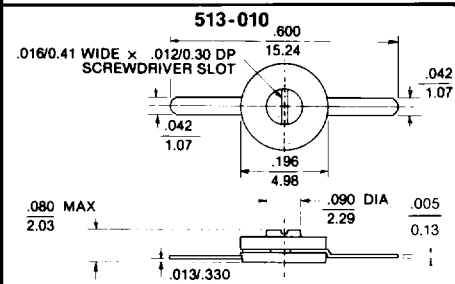


### Outstanding Features

- Only .196"/4.98mm diameter x .080"/2.03mm high
- Ideal for wide range of products requiring real miniaturized capacitance trimming.
- Operates efficiently at -55°C to +85°C.
- Available in your choice of three basic terminal arrangements.
- Ceramic base seats directly on module substrates or circuit boards. No metal or mechanical attachments protruding beneath the base plane.
- Monolithic Rotor design offers optimum stability for higher capacitance ranges. Eliminates need to use unstable higher K dielectric materials. Monolithic construction offers greater ruggedness which cannot be achieved when using single plate construction, particularly with fragile Hi-K Dielectric materials.

### Terminal Variation Options



The smallest trimmer now gets smaller... this describes TUSONIX' Style 513 VARI-Thin Ceramic Trimmer Capacitor. Only .196" in diameter and .080" high the TUSONIX 513 is perfect for avionics apparatus, communications equipment, oscilloscopes, crys-

tal oscillators, crystal filters... an almost endless variety of applications requiring miniaturized capacitance trimming. The tiny 513 VARI-Thin is available with three basic terminal arrangements as shown at left.

### Ordering Data

Specify series 513 followed by the three digit Terminal Variation you select from the chart at left. Then list the dielectric you select from the table at right and the corresponding cap. range. EXAMPLE: 513-010 A 1-5pF	Dielectric Type Code	Capacitance Range (pF)	Working Voltage (Vdc) 85°C
	A	1 — 5	100
A	2 — 10	100	
A	3.5 — 20	100	
A	5 — 30	100	
G	7 — 40	50	

Minimum to maximum capacitance achieved through 180° rotation.

### SPECIFICATIONS

Working Voltage ..... See Table Above  
Dielectric Strength. .... 2 times WVdc for 1 to 5 seconds  
Operating Temperature Range ..... -55° C to + 85° C  
Q Factor @ 1 MHz ..... 500 Min. (Dielectric Code A)  
200 Min. (Dielectric Code G)  
Torque ..... 0.3 to 2.0 oz. in.  
Qualification Specification ... TUSONIX Spec. 513 (page 9)  
**Marking:** All units will be marked with TUSONIX trademark, capacitance range and dielectric type code.

Example: T 1-5 A

For dimensions  $\geq .125$ " / 3.18 mm, tolerance is  $\pm .005$  / 0.13  
For dimensions  $< .125$ " / 3.20 mm, tolerance is  $\pm .015$  / 0.38

For other capacitance ranges and terminal arrangements call the nearest TUSONIX Sales Office or call Tucson, AZ 520-744-0400.