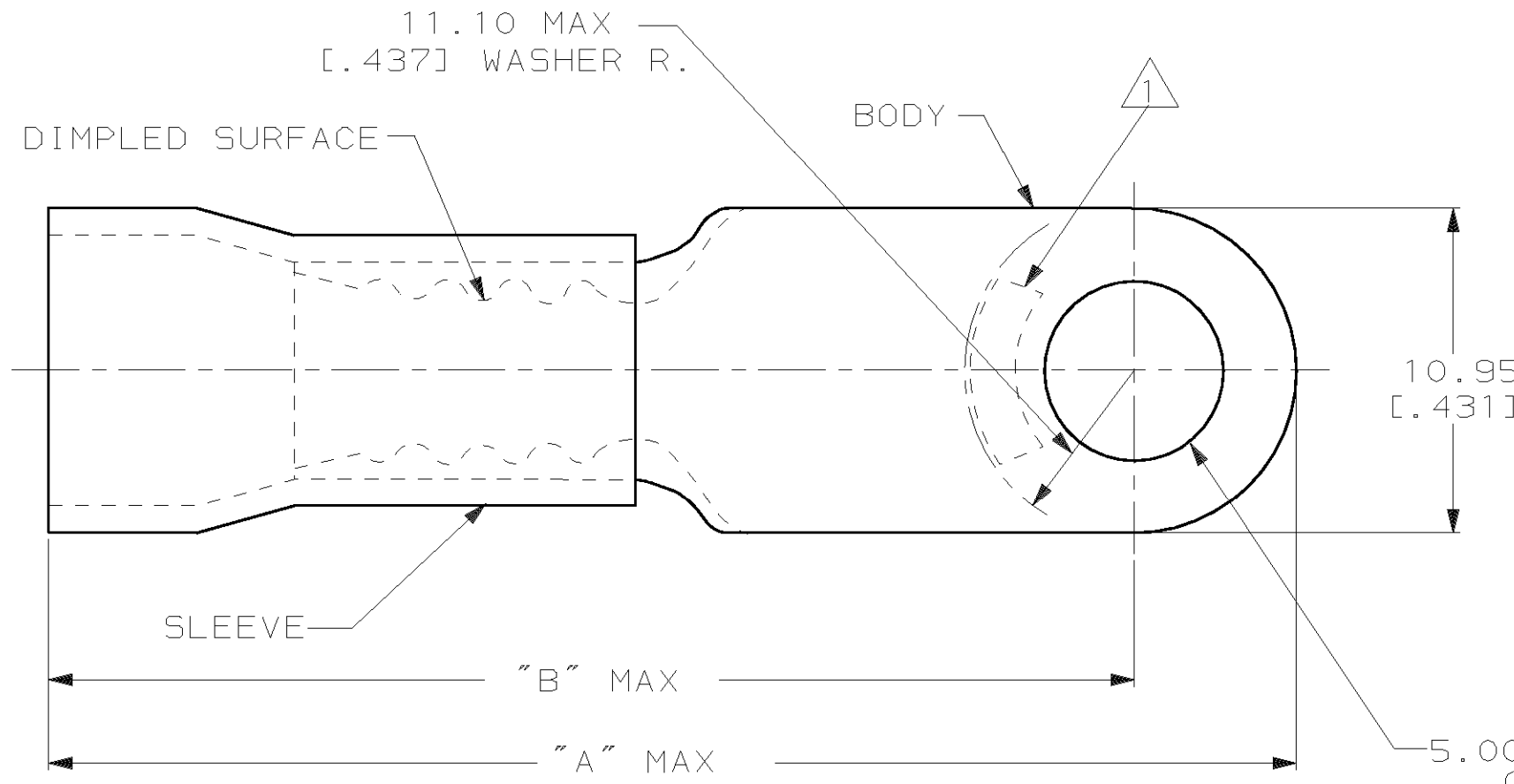


THIS DRAWING IS UNPUBLISHED. RELEASED FOR PUBLICATION, 19 .
 © COPYRIGHT 19 BY AMP INCORPORATED. ALL INTERNATIONAL RIGHTS RESERVED.

LOC G	DIST 14	P	F	REVISIONS			DATE	APPD
				ZONE	LTR	DESCRIPTION		
					R	ADDED -6 PER 0G3A-0416-00	21JUN00	JR TM



AMP WIRE RANGE	FILE E13288	LR7189 Certified
8 AWG STRANDED	8 AWG STRANDED	8 AWG STRANDED

NOTE:
 1. STAMP AMP 8* LOCATE APPROX AS SHOWN
 2. TONGUE MATERIAL THK 1.02±0.08 [.040±.003]
 3. SEE TABLE FOR WIRE INSULATION DIA MAX
 4. TAPE ITEMS ARE ON 30.48 [1.200] CENTERS
 5. PRELIMINARY - NOT FOR PREPRODUCTION

OBS	8.38 [.330]	34.49 [1.358]	40.03 [1.576]	100	LOOSE PC, BOX	8-52263-1
	9.91 [.390]	33.99 [1.338]	39.52 [1.556]	250	ON TAPE	52263-6 5
	8.38 [.330]	34.49 [1.358]	40.03 [1.576]	100	LOOSE PC	52263-5
	9.14 [.360]	33.99 [1.338]	39.52 [1.556]	500	ON TAPE	52263-4
	8.38 [.330]	34.49 [1.358]	40.03 [1.576]	500	ON TAPE	52263-3
	9.14 [.360]	33.99 [1.338]	39.52 [1.556]	100	LOOSE PC	52263-2
	8.38 [.330]	34.49 [1.358]	40.03 [1.576]	100	LOOSE PC	52263-1
	9.14 [.360]	33.99 [1.338]	39.52 [1.556]	100	LOOSE PC	52263

AMP INCORPORATED CUSTOMER SERVICE SYSTEMS		MAX RECOMMENDED OPERATING TEMPERATURE: 90°C	DO NOT SCALE PRINT. UNLESS SPECIFIED DIMENSIONS IN mm [INCHES] TOLERANCES ON: 2 PLC DEC ± 0.20[.008] 3 PLC DEC ± - ANGLES ± -	DR 9-29-93 S.S. GOULDEN CHK 9-29-93 R. HERSEY APPD 9-29-93 B. BARE APPD 9-29-93 M. ELLIS	AMP AMP Incorporated Harrisburg, PA 17105-3608	
FOR ADDITIONAL PRODUCT INFORMATION OR COPIES OF DRAWINGS AND TECHNICAL DOCUMENTS	PRODUCT INFORMATION CENTER 1-800-522-6752	VOLTAGE RATING: 600 V MAX	MATERIAL COPPER PER ASTM B-152 PVC, COLOR:RED	PRODUCT SPEC NOT AVAILABLE	NAME TERMINAL, RING TONGUE, PLASTI-GRIP, WIRE SIZE:8 AWG	
FOR APPLICATION TOOLING INFORMATION	TOOLING ASSISTANCE CENTER 1-800-722-1111	CIRCULAR MIL AREA: 6.64-10.54mm² [13,100-20,800] STRANDED	FINISH TIN PLATE PER MIL-T-10727	APPLICATION SPEC NOT AVAILABLE	SIZE B	CAGE CODE 00779
FOR ORDER ENTRY	1-800-526-5142	THIS DRAWING IS A CONTROLLED DOCUMENT FOR AMP INCORPORATED. IT IS SUBJECT TO CHANGE AND THE CONTROLLING ENGINEERING ORGANIZATION SHOULD BE CONTACTED FOR THE LATEST REVISION.		WEIGHT -	DRAWING NO C-52263	SHEET 1 OF 1