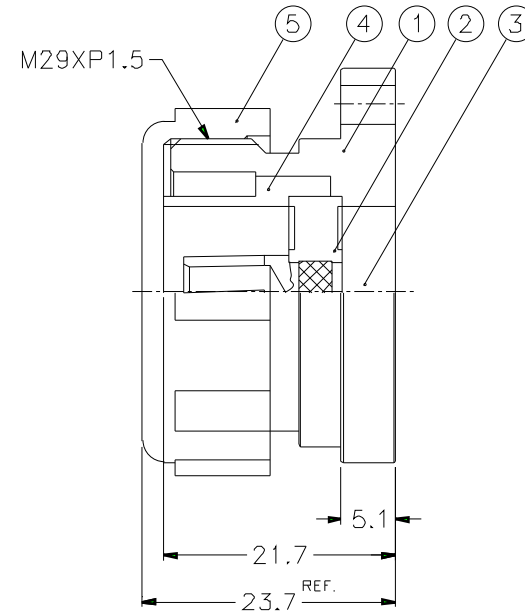
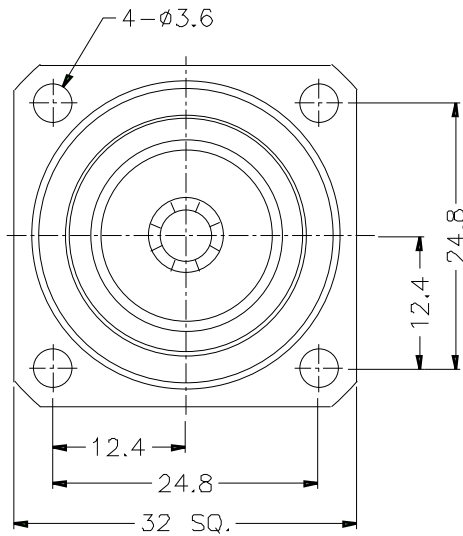


1			2			3			4			5			6			7			8		
REVISIONS																							
ISS	ZONE	DESCRIPTION\PER REQUEST\DATE																					



NOTES: FINISH (PLATING THICKNESS IN MICRO-INCHES)

1. BRASS PER QQ-B-626
2. SILVER PL. 120 MIN. THICK OVER COPPER STRIKE
3. BERYLLIUM COPPER PER QQ-C-530
4. SILVER PL. 200 MIN. THICK OVER COPPER STRIKE
5. TEFLON MIL-P-1946B
6. BLUE, PER PANTONE 3005C

DIMENSIONS ARE IN MILLIMETERS				PART NO. 7166551B1-120STS-50	
UNLESS OTHERWISE SPECIFIED TOLERANCES				APPROVED _____ DATE 10-11-01'	
0.5-6 = ±0.2				CHECKED _____ DATE 10-11-01'	
6-30 = ±0.4				DRAWN _____ DATE 10-11-01'	
30-120 = ±0.6				FILE NO. _____	
120-315 = ±1					
315-1000 = ±1.6					
1000-2000 = ±2.4					

<h1>Amphenol</h1>		
TITLE 7/16 PANEL RECEPTACLE JACK WITH THREADED STUD M3		
DRAWING NO. KJ-7166551B1-120STS-50		
ITEM NO. _____		

5	COVER	PE	NOTE 6	1	7166141A1-9
4	OUT CONTACT	NOTE 1	NOTE 2	1	7166551B1-4
3	CONTACT PIN	NOTE 3	NOTE 4	1	7166551B1-3
2	INSULATOR	NOTE 5	NATURAL	1	7166551B1-2T-50
1	BODY	NOTE 1	NOTE 2	1	7166551B1-1
NO.	DESCRIPTION	MATERIAL	FINISH	Q'TY	DRAWING NO.

1	2	3	4	5	6	7	8
---	---	---	---	---	---	---	---