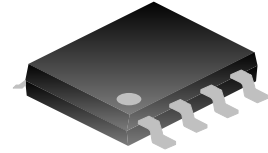


225V HIGH VOLTAGE HALF BRIDGE DRIVER

1. DESCRIPTION

The SDH2126 is high voltage N-type power MOSFET and IGBT half bridge driver, whose built-in V_{CC} undervoltage lockout prevents the power device from working under low control voltage, and high-/low-side double high input interlock protection avoids the simultaneous conduction of both high side and low side MOSFETs.



SOP-8-225-1.27

2. FEATURES

- ◆ High-side floating supply absolute voltage:225V
- ◆ Output current:+1A / -1.3A
- ◆ 3.3V / 5V / 15V input logic compatible
- ◆ High-/low-side interlock protection
- ◆ Under-voltage (UV) lockout
- ◆ dV/dt immune

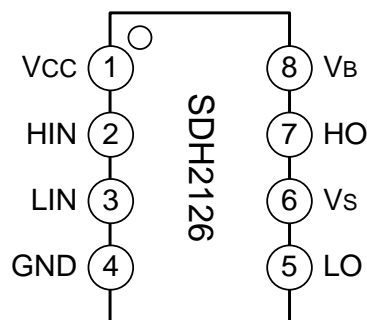
3. APPLICATIONS

- ◆ Motor Driver
- ◆ E-bike controller
- ◆ Electric tool

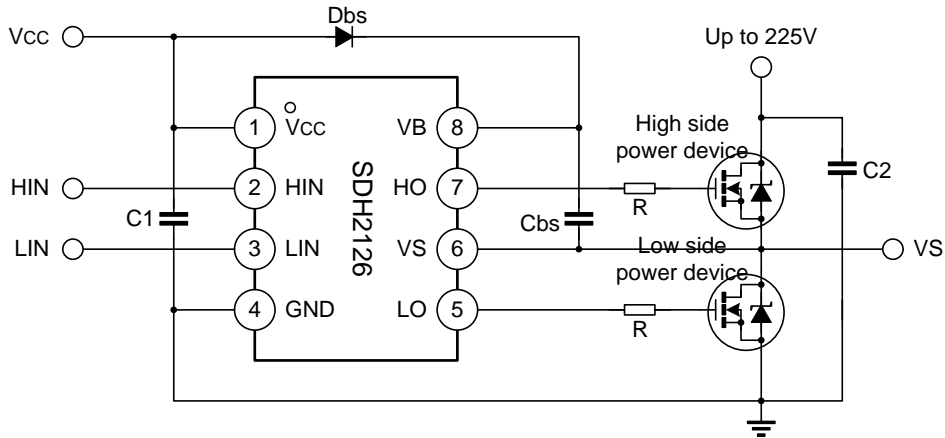
4. ORDERING INFORMATION

Part No.	Package	Marking	Hazardous Substance Control	Packing Type
SDH2126	SOP-8-225-1.27	SDH2126	Halogen free	Tube
SDH2126TR	SOP-8-225-1.27	SDH2126	Halogen free	Tape&Reel

5. PIN CONFIGURATION



6. TYPICAL APPLICATION CIRCUIT



7. PACKAGE OUTLINE

SOP-8-225-1.27 UNIT: mm

SYMBOL	MILLIMETER		
	MIN	NOM	MAX
A	1.35	1.55	1.75
A1	0.05	0.15	0.25
A2	1.25	—	1.65
b	0.32	0.42	0.52
c	0.15	0.20	0.26
D	4.70	4.90	5.30
E	5.60	6.00	6.40
E1	3.60	3.90	4.20
e	1.27BSC		
L	0.30	—	1.27