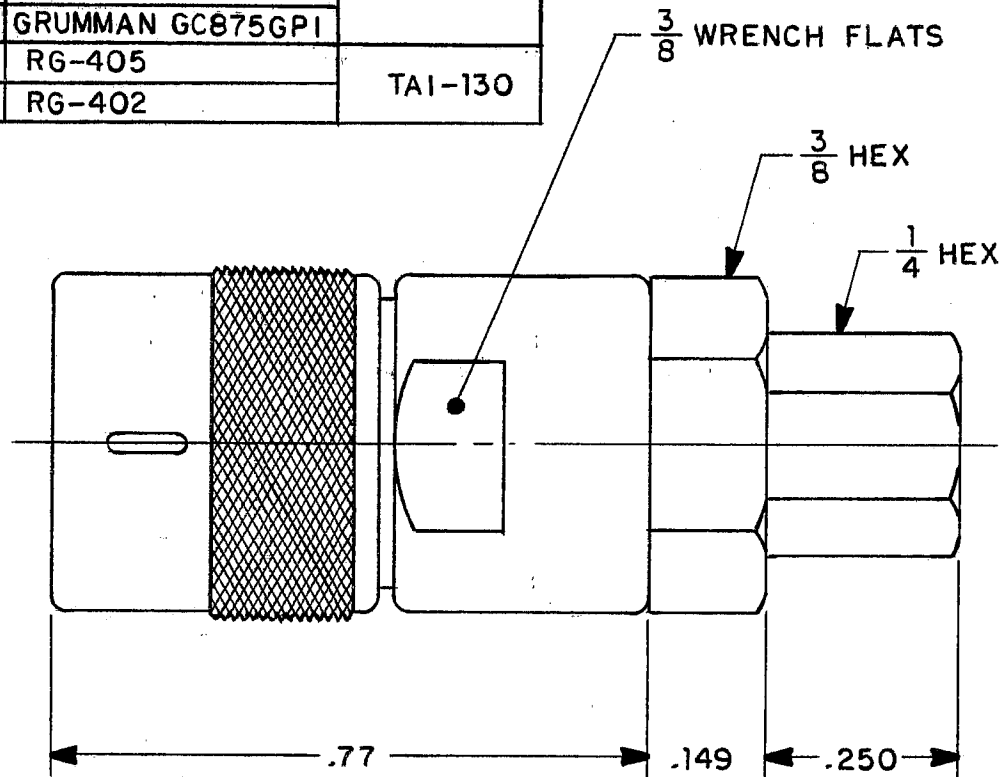


DASH NO	CABLES ACCOMMODATED	ASSEMBLE PER
-1	RG-58	TAI-135
-2	RG-59	
-2A	8279 BELDEN	TAI-108
-2B	730A WECO/5	
-3	RG-223	TAI-135
-4	RG-122	
-5	RG-174	
-5A	RG-196	
-22	RG-180	
-31	GRUMMAN GC875GPI	TAI-130
-086	RG-405	
-141	RG-402	

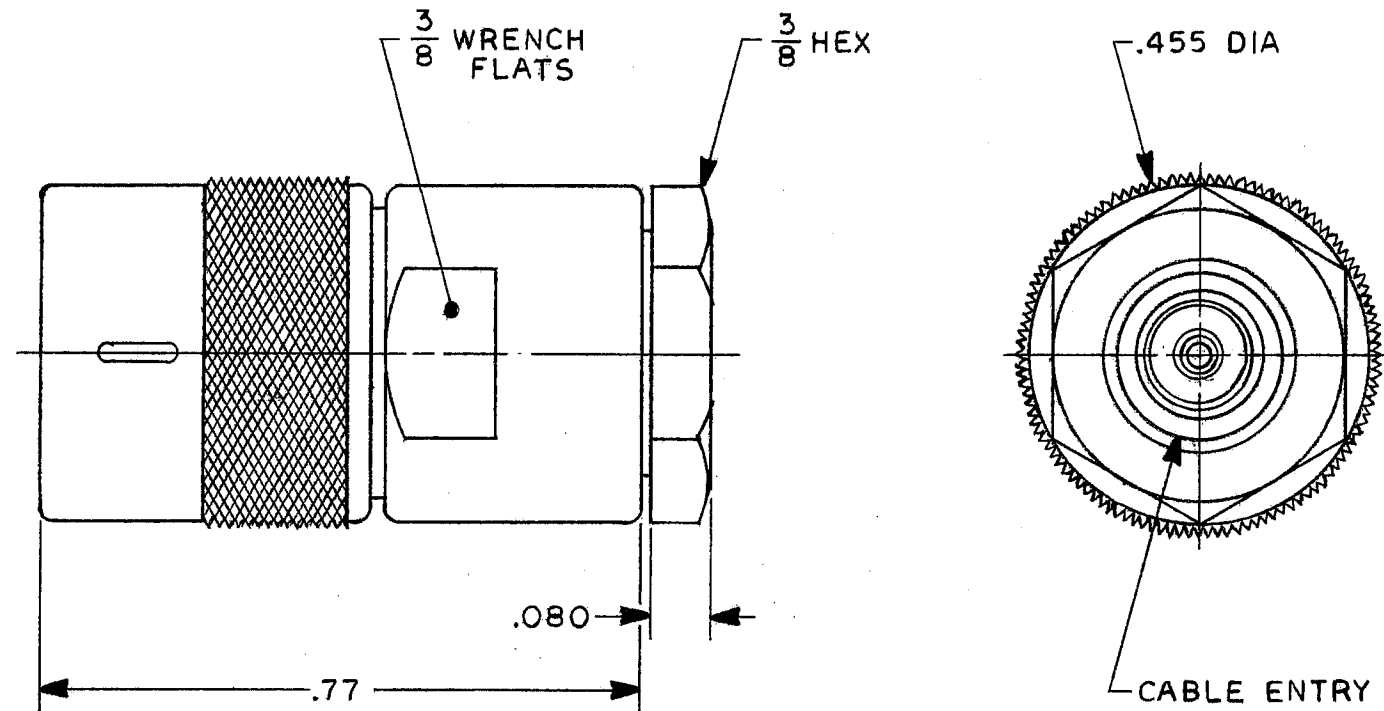
INCH	MM
.005	0.13
.030	0.76
.080	2.03
.149	3.78
.250	6.35
.455	11.56
.770	19.56

DATA CONTAINED IN THIS DOCUMENT IS PROPRIETARY TO TROMPETER ELECTRONICS INC. AND SHALL NOT BE DISCLOSED, COPIED OR USED FOR PROCUREMENT OR MANUFACTURE WITHOUT EXPRESS WRITTEN PERMISSION.

REVISIONS			1000-0459 SH 1		
REV	EO	DESCRIPTION	DWN	APPROVED	DATE
A	5500	REV & REDWN	JEH	<i>TW</i>	6-28-82
B	5992	REV ITEM 2, SH 2	JEB	<i>JEB</i>	8-22-83
C	6551	ADDED "ASSEMBLE PER" TABLE & DELETED -31	LSC	<i>LSC</i>	10/12/84
D	6818	REINSTATE -31	LSW	<i>LSW</i>	6-8-85
E	7017	ADDED -086 & -141	JDG	<i>JDG</i>	5-6-86



PL350S -086 SHOWN



PL350S -1 SHOWN

- 5 NOT WRENCH CRIMP
- 4. IF SAFETY WIRE TYPE REQD ADD SUFFIX "S" TO MODEL NO (PL350S)
- 3. MALE TYPE TCM COAXIAL PLUG
- 2. FINISH: TFS-1A (NICKEL)
- 1. ALL DIM ARE IN INCHES

QTY	DESCRIPTION		PART NUMBER	ITEM
TOL UNLESS SPECIFIED		TROMPETER ELECTRONICS, INC.	PL350/PL350S	
.XX ± .03				
.XXX ± .005				
.XXXX±				
ANGLES±				
DWN	JEH	6-18-82	MATERIAL	CODE IDENT
CHK	<i>TW</i>	6-25-82	—	14949
ENGR				DRAWING NO. 1000-0459
APPR	<i>R</i>	6-25-82	SCALE 4/1	DATE 8-5-80
1000-0467				REV E
NEXT ASSY				SHEET 1 OF 2