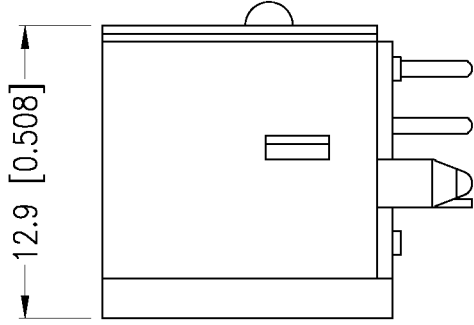
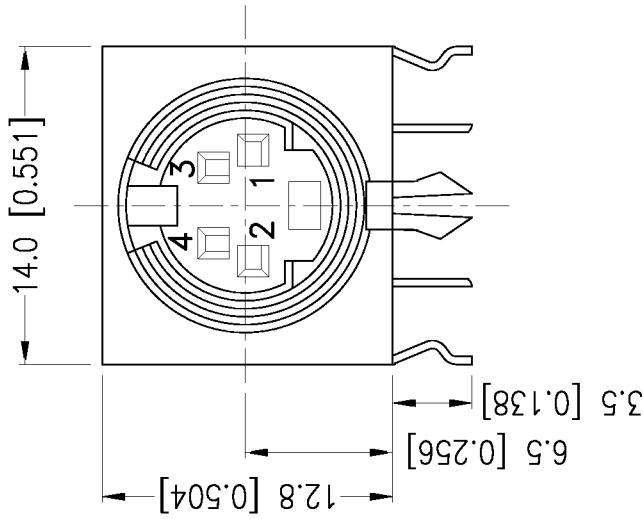
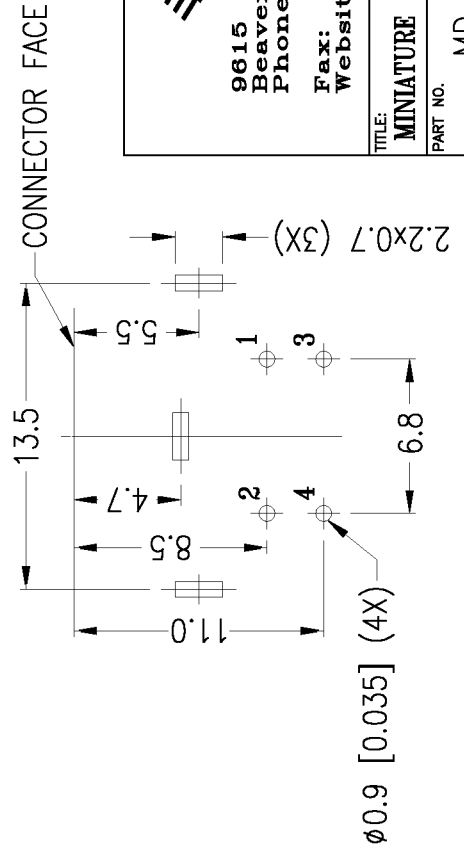


SNAP IN FIT (KINKED PINS)



FOOTPRINT (BOTTOM VIEW)



- SPECIFICATIONS:  
 RATING: 100V AC 1A MAX OR  
 12V DC 2A MAX  
 INSULATION RESISTANCE:  
 50 MOHM MIN AT 250V DC  
 DIELECTRIC STRENGTH:  
 250V AC, 1 MINUTE  
 CONTACT RESISTANCE:  
 30 mOHM MAX  
 INSERTION FORCE:  
 4.5KG MAX  
 WITHDRAWAL FORCE:  
 0.9KG~3KG



9615 SW Allen, Suite 103  
 Beaverton, OR 97006  
 Phone: (503) 643-4899  
 Fax: (503) 643-6129  
 Website: www.cuistack.com

|                                                 |                    |
|-------------------------------------------------|--------------------|
| TITLE: MINIATURE CIRCULAR CONNECTOR WITH SHIELD |                    |
| PART NO. MD-40SKS                               | UNITS: MM [INCHES] |
| DRAWN BY:                                       | APPROVED BY:       |
|                                                 | SCALE: 3X          |