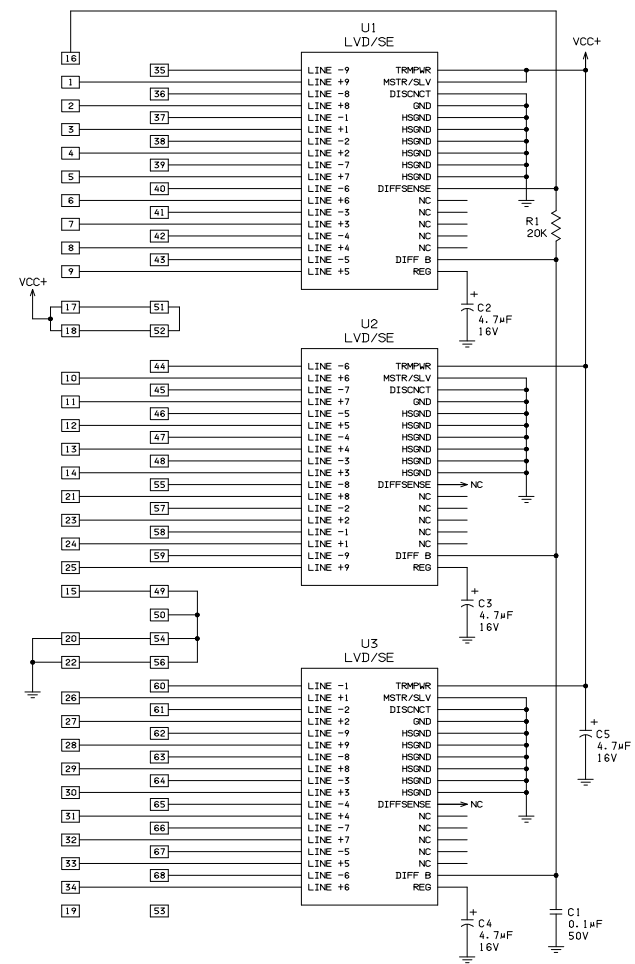
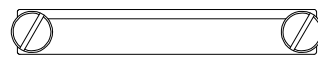
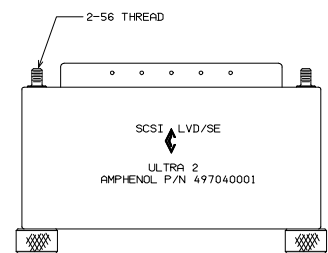
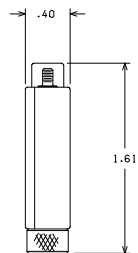
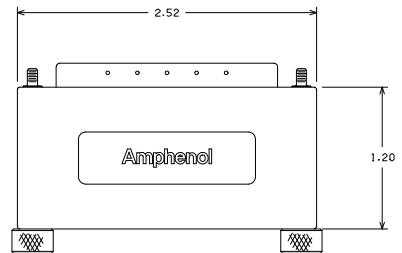


8 7 6 5 4 3 2 1

REVISIONS				
ZONE	LTR	DESCRIPTION	DATE	APPROVED
		CUSTOMER DRAWING		

LVD/SE SCHEMATIC



RECOGNIZED UNDER THE COMPONENT PROGRAM OF UNDERWRITERS LABORATORIES INC., FILE No. E123634.



CERTIFIED BY CANADIAN STANDARDS ASSOCIATION, FILE No. LR 53826.



UNLESS OTHERWISE SPECIFIED DIMENSIONS ARE IN INCHES TOLERANCE ON		<table border="1"> <tr> <th>PRECISION</th> <th>DECIMAL</th> <th>ANGLE</th> </tr> <tr> <td>.X</td> <td>.XX</td> <td>.XXX</td> </tr> </table>	PRECISION	DECIMAL	ANGLE	.X	.XX	.XXX	<table border="1"> <tr> <th>SIGNATURES</th> <th>DATE</th> </tr> <tr> <td>DRAWN J LaShier</td> <td>11/99</td> </tr> <tr> <td>CHECKED</td> <td></td> </tr> <tr> <td>APPROVED</td> <td></td> </tr> <tr> <td>APPROVED</td> <td></td> </tr> </table>	SIGNATURES	DATE	DRAWN J LaShier	11/99	CHECKED		APPROVED		APPROVED		<table border="1"> <tr> <th colspan="2">Amphenol Interconnect Products</th> </tr> <tr> <td>20 VALLEY ST.</td> <td>PHONE (888) 275-2472</td> </tr> <tr> <td>ENDICOTT, NY 13760</td> <td>FAX (607) 786-4311</td> </tr> </table>	Amphenol Interconnect Products		20 VALLEY ST.	PHONE (888) 275-2472	ENDICOTT, NY 13760	FAX (607) 786-4311
PRECISION	DECIMAL	ANGLE																								
.X	.XX	.XXX																								
SIGNATURES	DATE																									
DRAWN J LaShier	11/99																									
CHECKED																										
APPROVED																										
APPROVED																										
Amphenol Interconnect Products																										
20 VALLEY ST.	PHONE (888) 275-2472																									
ENDICOTT, NY 13760	FAX (607) 786-4311																									
CAD DRAWING		<table border="1"> <tr> <td>SIZE D</td> <td>497040001</td> <td>REV</td> </tr> </table>	SIZE D	497040001	REV	<table border="1"> <tr> <td>SCALE: 2 / 1</td> <td>SHEET 1 OF 1</td> </tr> </table>	SCALE: 2 / 1	SHEET 1 OF 1																		
SIZE D	497040001	REV																								
SCALE: 2 / 1	SHEET 1 OF 1																									

8 7 6 5 4 3 2 1