

# MAXIM

## Low Power, 3½ Digit A/D Converter

ICL7137

### General Description

The Maxim ICL7137 is a monolithic analog to digital converter with all the necessary active devices to directly interface with a light emitting diode (LED) display. Excluding the LED display current, the ICL7137 supply current is under 200 $\mu$ A, making it suitable for battery operation.

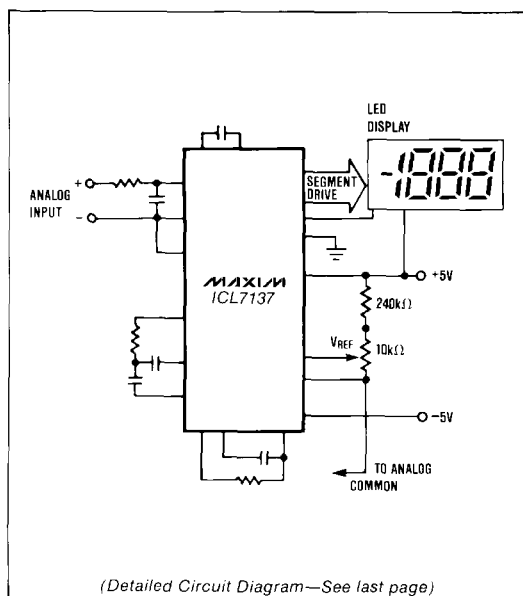
Versatility and accuracy are inherent features of this converter. The dual-slope conversion technique automatically rejects interference signals common in industrial environments. The true differential input and reference are particularly useful when making ratio-metric measurements (ohms or bridge transducers), and the zero-integrator phase in Maxim's ICL7137 eliminates overrange hangover and hysteresis effects. Finally, this device offers high accuracy by lowering rollover error to less than one count and zero reading drift to less than 1 $\mu$ V/ $^{\circ}$ C.

### Applications

These devices can be used in a wide range of digital panel meter applications. Most applications, however, involve the measurement and display of analog data:

Pressure	Conductance
Voltage	Current
Resistance	Speed
Temperature	Material Thickness

### Typical Operating Circuit



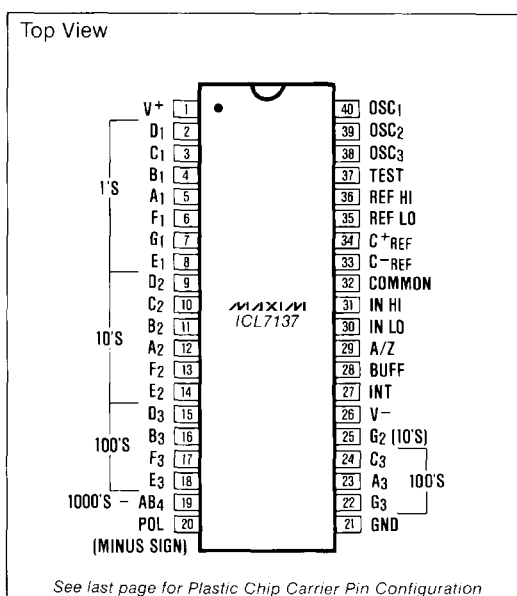
### Features

- ◆ Improved 2nd Source! (see 3rd page for "Maxim Advantage™")
- ◆ Guaranteed first reading recovery from overrange
- ◆ Zero Input Gives Zero Reading
- ◆ Drives LED Displays Directly
- ◆ Low Noise (15 $\mu$ V p-p) without hysteresis or overrange hangover
- ◆ True Differential Reference and Input
- ◆ Monolithic, Low Power CMOS Design

### Ordering Information

PART	TEMP. RANGE	PACKAGE
ICL7137CPL	0 $^{\circ}$ C to +70 $^{\circ}$ C	40 Lead Plastic DIP
ICL7137CJL	0 $^{\circ}$ C to +70 $^{\circ}$ C	40 Lead CERDIP
ICL7137CQH	0 $^{\circ}$ C to +70 $^{\circ}$ C	44 Lead Plastic Chip Carrier
ICL7137C/D	0 $^{\circ}$ C to +70 $^{\circ}$ C	Dice

### Pin Configuration



The "Maxim Advantage™" signifies an upgraded quality level. At no additional cost we offer a second-source device that is subject to the following: guaranteed performance over temperature along with tighter test specifications on many key parameters; and device enhancements, when needed, that result in improved performance without changing the functionality.

ICL7137

# Low Power, 3½ Digit A/D Converter

## ABSOLUTE MAXIMUM RATINGS

Supply Voltage V <sup>+</sup> .....	+6V	Power Dissipation (Note 2)	
V <sup>-</sup> .....	-9V	Cerdip Package .....	1000mW
Analog Input Voltage (either input) (Note 1) .....	V <sup>+</sup> to V <sup>-</sup>	Plastic Package .....	800mW
Reference Input Voltage (either input) .....	V <sup>+</sup> to V <sup>-</sup>	Operating Temperature Range .....	0°C to +70°C
Clock Input .....	GND to V <sup>+</sup>	Storage Temperature Range .....	-65°C to +160°C
		Lead Temperature (Soldering, 60 sec.) .....	+300°C

**Note 1:** Input voltages may exceed the supply voltages, provided the input current is limited to ±100μA.

**Note 2:** Dissipation rating assumes device is mounted with all leads soldered to printed circuit board.

*Stresses above those listed under "Absolute Maximum Ratings" may cause permanent damage to the device. These are stress ratings only and functional operation of the device at these or any other conditions above those indicated in the operational sections of the specifications is not implied. Exposure to absolute maximum rating conditions for extended periods may affect device reliability.*

## ELECTRICAL CHARACTERISTICS (Note 3)

PARAMETERS	CONDITIONS	MIN	TYP	MAX	UNITS
Zero Input Reading	V <sub>IN</sub> = 0.0V Full Scale = 200.0mV	-000.0	±000.0	+000.0	Digital Reading
Ratiometric Reading	V <sub>IN</sub> = V <sub>REF</sub> , V <sub>REF</sub> = 100mV	999	999/1000	1000	Digital Reading
Rollover Error (Difference in reading for equal positive and negative reading near full scale)	-V <sub>IN</sub> = +V <sub>IN</sub> ≈ 200.0mV	-1	±0.2	+1	Counts
Linearity (Max. deviation from best straight line fit)	Full Scale = 200.0mV or full scale = 2.000V	-1	±0.2	+1	Counts
Common Mode Rejection Ratio (Note 4)	V <sub>CM</sub> = ± 1V, V <sub>IN</sub> = 0V Full Scale = 200.0mV		30		μV/V
Noise (Pk-Pk value not exceeded 95% of time)	V <sub>IN</sub> = 0V, Full Scale = 200.0mV		15		μV
Leakage Current @ Input	V <sub>IN</sub> = 0		1	10	pA
Zero Reading Drift	V <sub>IN</sub> = 0V, 0° < T <sub>A</sub> < +70°C		0.2	1	μV/°C
Scale Factor Temperature Coefficient	V <sub>IN</sub> = 199.0mV, 0° < T <sub>A</sub> < +70°C (Ext. Ref. 0ppm/°C)		1	5	ppm/°C
V <sup>+</sup> Supply Current (Does not include LED current)	V <sub>IN</sub> = 0V (Note 5)		70	200	μA
V <sup>-</sup> Supply Current			40		
Analog COMMON Voltage (With respect to positive supply)	250kΩ between Common and Positive Supply	2.6	3.0	3.2	V
Temp. Coeff. of Analog COMMON (with respect to Positive Supply)	250kΩ between Common and Positive Supply		80		ppm/°C
Segment Sinking Current (Except Pin 19) (Pin 19 only)	V <sup>+</sup> = 5.0V Segment Voltage = 3V	5	8.0		mA
		10	16		
Power Dissipation Capacitance	vs. Clock Frequency		40		pF

**Note 3:** Unless otherwise noted, specifications apply at T<sub>A</sub>=25°C, f<sub>CLOCK</sub>=16kHz and are tested in the circuit of Figure 1.

**Note 4:** Refer to "Differential Input" discussion in the ICL7136 data sheet.

**Note 5:** 48kHz oscillator, Figure 2, increases current by 35μA (typ).

**Note 6:** Extra capacitance of CERDIP package changes oscillator resistor value to 470kΩ or 150kΩ (1 reading/sec or 3 readings/sec).

*The electrical characteristics above are a reproduction of a portion of Intersil's copyrighted (1983/1984) data book. This information does not constitute any representation by Maxim that Intersil's products will perform in accordance with these specifications. The "Electrical Characteristics Table" along with the descriptive excerpts from the original manufacturer's data sheet have been included in this data solely for comparative purposes.*



## Low Power, 3½ Digit A/D Converter

ICL7137

- ◆ Low Noise
- ◆ Key Parameters Guaranteed Over Temperature
- ◆ Guaranteed Overload Recovery Time
- ◆ Negligible Hysteresis
- ◆ Increased Maximum Rating for Input Current (Note 8)
- ◆ Maxim Quality and Reliability
- ◆ Significantly Improved ESD Protection (Note 7)

**ABSOLUTE MAXIMUM RATINGS** This device conforms to the Absolute Maximum Ratings on adjacent page.

### ELECTRICAL CHARACTERISTICS

Specifications below satisfy or exceed all "tested" parameters on adjacent page.  
(V<sup>+</sup> = 9V; T<sub>A</sub> = 25°C; f<sub>CLOCK</sub> = 16kHz; test circuit - Figure 1 unless noted.)

PARAMETERS	CONDITIONS	MIN	TYP	MAX	UNITS
<b>Zero Input Reading</b>	V <sub>IN</sub> = 0.0V, Full Scale = 200.0mV T <sub>A</sub> = 25°C (Note 9) 0° ≤ T <sub>A</sub> ≤ 70°C (Note 10)	-000.0 -000.0	±000.0 ±000.0	+000.0 +000.0	Digital Reading
<b>Ratiometric Reading</b>	V <sub>IN</sub> = V <sub>REF</sub> , V <sub>REF</sub> = 100mV T <sub>A</sub> = 25°C (Note 9) 0° ≤ T <sub>A</sub> ≤ 70°C (Note 10)	999 998	999/1000 999/1000	1000 1001	Digital Reading
Rollover Error (Difference in reading for equal positive and negative reading near Full Scale)	-V <sub>IN</sub> = +V <sub>IN</sub> ≈ 200mV T <sub>A</sub> = 25°C (Note 9) 0° ≤ T <sub>A</sub> ≤ +70°C (Note 10)	-1	±0.2 +0.2	+1	Counts
Linearity (Max. deviation from best straight line fit)	Full Scale = 200.0mV or full scale = 2.000V	-1	±0.2	+1	Counts
<b>Common Mode Rejection Ratio</b>	V <sub>CM</sub> = ± 1V, V <sub>IN</sub> = 0V Full Scale = 200.0mV	-100	±5	+100	μV/V
Noise (Pk-Pk value not exceeded 95% of time)	V <sub>IN</sub> = 0V Full Scale = 200.0mV		10		μV
<b>Input Leakage Current</b>	V <sub>IN</sub> = 0, T <sub>A</sub> = 25°C (Note 9) 0° ≤ T <sub>A</sub> ≤ +70°C		1	10 200	pA
Zero Reading Drift	V <sub>IN</sub> = 0V, 0° ≤ T <sub>A</sub> ≤ 70°C (Note 9)		0.2	1	μV/°C
Scale Factor Temperature Coefficient	V <sub>IN</sub> = 199.0mV 0° ≤ T <sub>A</sub> ≤ +70°C (Ext. Ref. 0ppm/°C)(Note 9)		1	5	ppm/°C
<b>V<sup>+</sup> Supply Current</b>	V <sub>IN</sub> = 0V T <sub>A</sub> = 25°C 0° ≤ T <sub>A</sub> ≤ 70°C		60	200 240	μA
<b>V<sup>-</sup> Supply Current</b>	V <sub>IN</sub> = 0V,		60	200	μA
Analog Common Voltage (with respect to Pos. supply)	250kΩ between Common & Pos. Supply	2.6	2.8	3.2	V
Temp. Coeff. of Analog Common (with respect to Pos. Supply)	250kΩ between Common & Pos. Supply		75		ppm/°C
Segment Sinking Current (Except Pin 19) (Pin 19 only)	V <sup>+</sup> = 5.0V Segment Voltage = 3V	5 10	8.0 16		mA mA
<b>Test Pin Voltage</b>	<b>With Respect to V<sup>+</sup></b>	<b>4</b>	<b>5</b>	<b>6</b>	V
Overload Recovery Time (Note 11)	V <sub>IN</sub> changing from ± 10V to 0V		0	1	Measurement Cycles

**Note 7:** All pins are designed to withstand electrostatic discharge (ESD) levels in excess of 2000V. (Test circuit per Mil. Std. 883C, Method 3015.2)

**Note 8:** Input voltages may exceed the supply voltage provided the input current is limited to ±1mA (This revises Note 1 on adjacent page).

**Note 9:** Test condition is V<sub>IN</sub> applied between the "Analog Input" pins (Figure 1).

**Note 10:** 1MΩ resistor is removed in Figures 1 and 2.

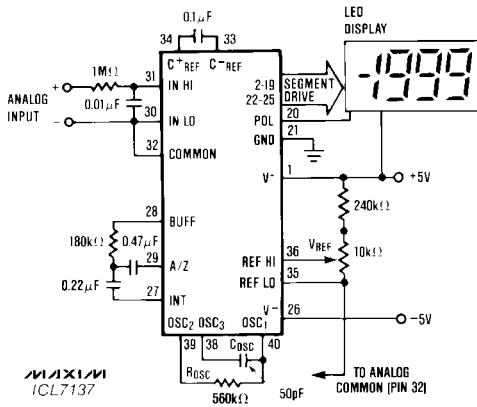
**Note 11:** Number of measurement cycles for display to give accurate reading.

# Low Power, 3½ Digit A/D Converter

## Detailed Description

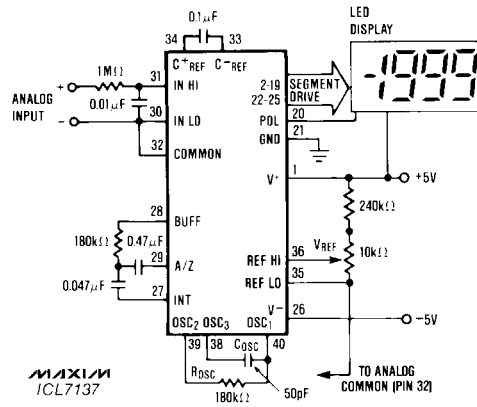
The Maxim ICL7137 3½ digit A/D converter is similar to the Maxim ICL7136 except for the LED segment driver outputs, and is similar to the ICL7107 except for much reduced power supply currents (exclusive of the LED

currents.) For a detailed product description, component value selection, and package dimensions, refer to Maxim's ICL7136 data sheets; for applications information refer to Maxim's ICL7107 data sheets.



FULL SCALE INPUT	V <sub>REF</sub>
200.0 mV	100.0mV

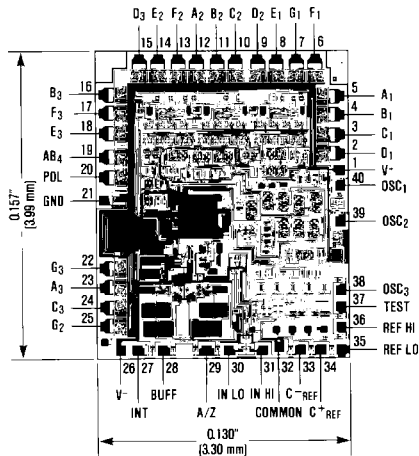
Figure 1. Maxim ICL7137 Typical Operating Circuit Clock Frequency 16kHz (1 reading/sec)



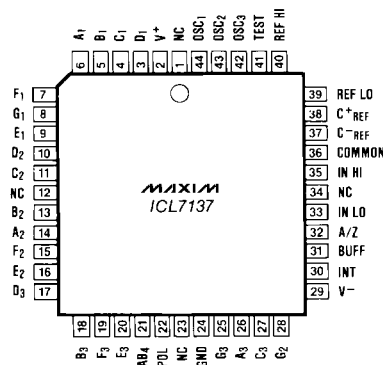
FULL SCALE INPUT	V <sub>REF</sub>
200.0 mV	100.0mV

Figure 2. Maxim ICL7137 Typical Operating Circuit Clock Frequency 48kHz (3 reading/sec)

## Chip Topography



## Pin Configuration

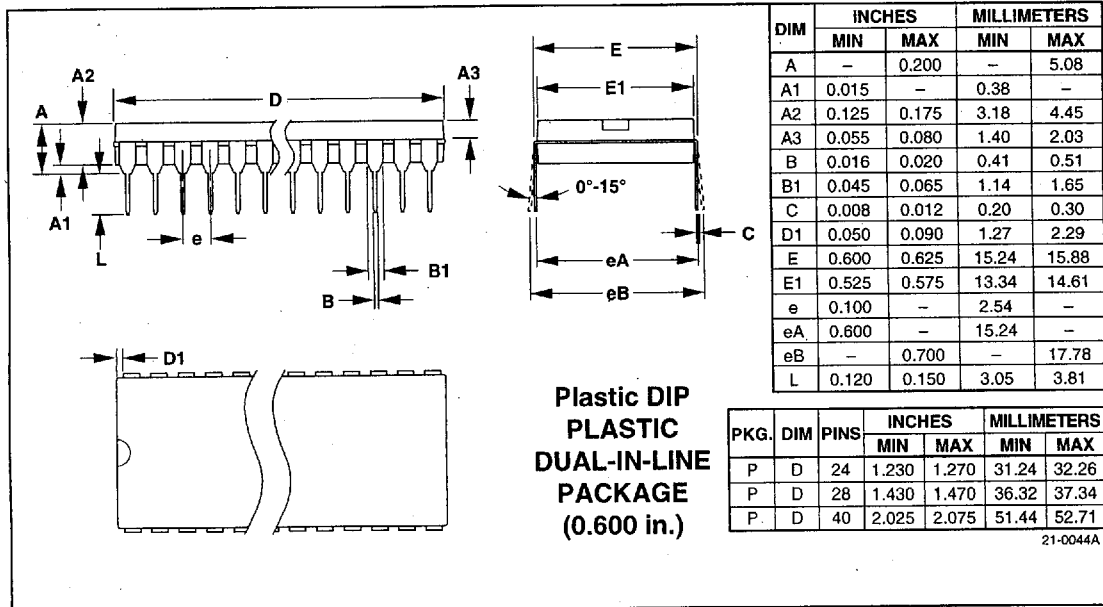
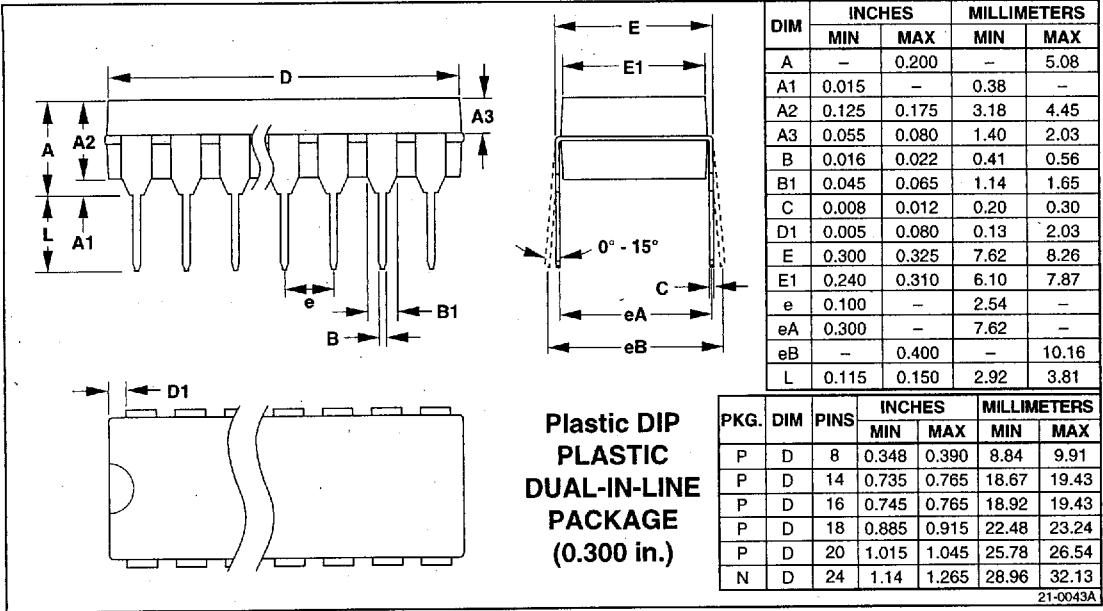


44 Lead Plastic Chip Carrier (Quad Pack)

Maxim cannot assume responsibility for use of any circuitry other than circuitry entirely embodied in a Maxim product. No circuit patent licenses are implied. Maxim reserves the right to change the circuitry and specifications without notice at any time.

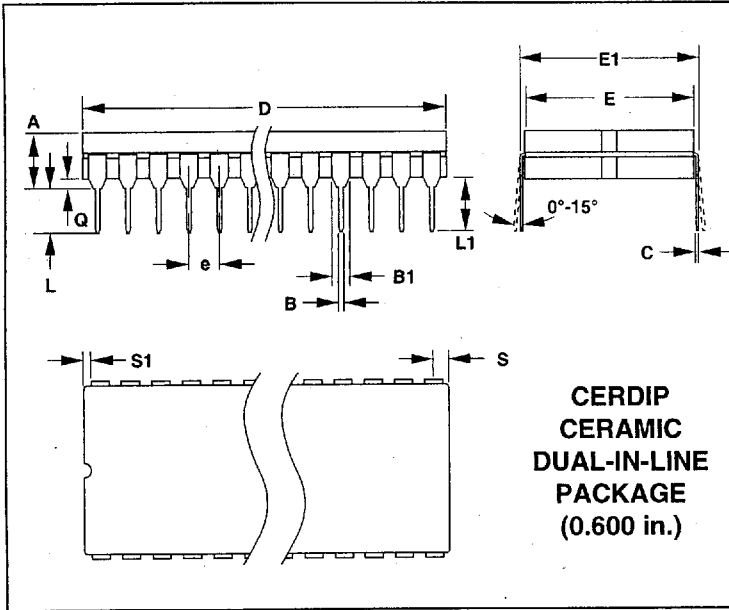
# Package Information

This section contains physical dimensions for all packages currently supplied by Maxim.



**A**

# Package Information

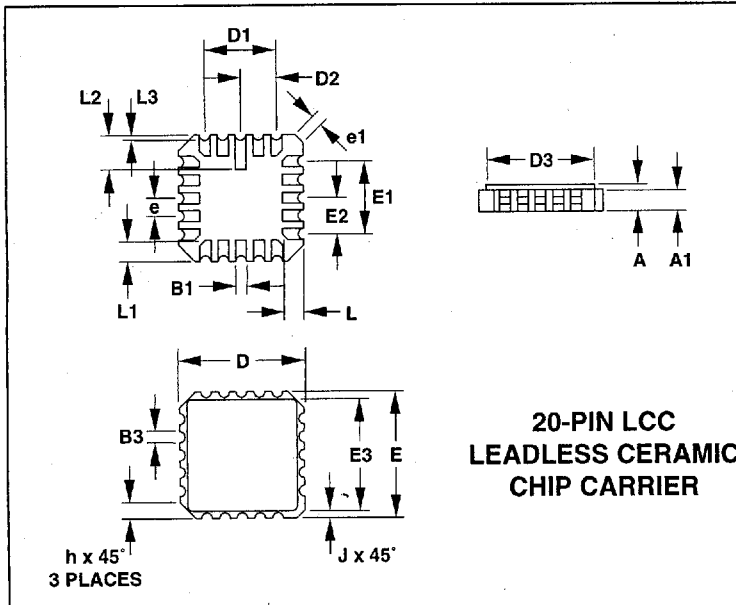


DIM	INCHES		MILLIMETERS	
	MIN	MAX	MIN	MAX
A	-	0.232	-	5.89
B	0.014	0.023	0.36	0.58
B1	0.038	0.065	0.97	1.65
C	0.008	0.015	0.20	0.38
E	0.500	0.620	12.70	15.75
E1	0.590	0.630	14.99	16.00
e	0.100		2.54	
L	0.120	0.200	3.05	5.08
L1	0.150	-	3.81	-
Q	0.015	0.075	0.38	1.91
S	-	0.100	-	2.54
S1	0.005	-	0.13	-

DIM	PINS	INCHES		MILLIMETERS	
		MIN	MAX	MIN	MAX
D	24	-	1.290	-	32.77
D	28	-	1.490	-	37.85
D	40	-	2.096	-	53.24

21-0046A

**CERDIP  
CERAMIC  
DUAL-IN-LINE  
PACKAGE  
(0.600 in.)**



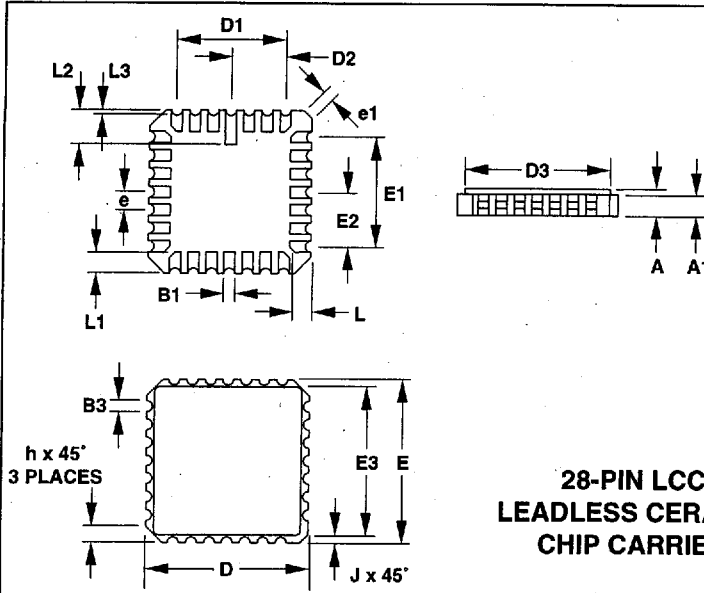
DIM	INCHES		MILLIMETERS	
	MIN	MAX	MIN	MAX
A	0.060	0.100	1.52	2.54
A1	0.050	0.088	1.27	2.24
B1	0.022	0.028	0.56	0.71
B3	0.006	0.022	0.15	0.56
D/E	0.342	0.358	8.69	9.09
D1/E1	0.200 BSC		5.08 BSC	
D2/E2	0.100 BSC		2.54 BSC	
D3/E3	-	0.350	-	9.09
e	0.050 BSC		1.27 BSC	
e1	0.015	-	0.38	-
h	0.040 REF		1.02 REF	
J	0.020 REF		0.51 REF	
L	0.045	0.055	1.14	1.40
L1	0.045	0.055	1.14	1.40
L2	0.075	0.095	1.91	2.41
L3	0.003	0.015	0.08	0.38

21-658A

**20-PIN LCC  
LEADLESS CERAMIC  
CHIP CARRIER**

**A**

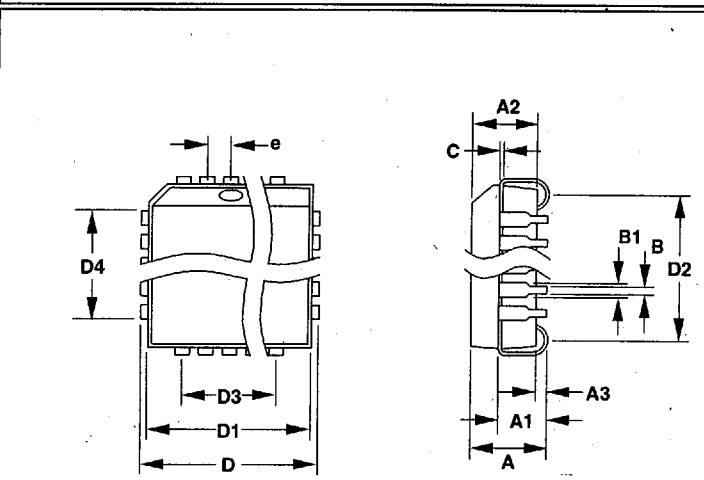
# Package Information



**28-PIN LCC  
LEADLESS CERAMIC  
CHIP CARRIER**

DIM	INCHES		MILLIMETERS	
	MIN	MAX	MIN	MAX
A	0.060	0.100	1.52	2.54
A1	0.050	0.088	1.27	2.24
B1	0.022	0.028	0.56	0.71
B3	0.006	0.022	0.15	0.56
D/E	0.442	0.460	11.23	11.68
D1/E1	0.300		7.62	
D2/E2	0.150		3.81	
D3/E3	-	0.460	-	11.68
e	0.050		1.27	
e1	0.015	-	0.38	-
h	0.040 REF		1.02 REF	
J	0.020 REF		0.51 REF	
L	0.045	0.055	1.14	1.40
L1	0.045	0.055	1.14	1.40
L2	0.075	0.095	1.91	2.41
L3	0.003	0.015	0.08	0.38

21-4497A



**PLCC  
PLASTIC  
LEADED CHIP CARRIER**

DIM	INCHES		MILLIMETERS	
	MIN	MAX	MIN	MAX
A	0.165	0.180	4.19	4.57
A1	0.090	0.120	2.29	3.05
A2	0.145	0.156	3.68	3.96
A3	0.020	-	0.51	-
B	0.013	0.021	0.33	0.53
B1	0.026	0.032	0.66	0.81
C	0.009	0.011	0.23	0.28
e	0.050		1.27	

DIM	PINS	INCHES		MILLIMETERS	
		MIN	MAX	MIN	MAX
D	20	0.385	0.395	9.78	10.03
D1		0.350	0.356	8.89	9.04
D2		0.290	0.330	7.37	8.38
D3		0.200 REF		5.08 REF	
D	28	0.485	0.495	12.32	12.57
D1		0.450	0.456	11.43	11.58
D2		0.390	0.430	9.91	10.92
D3		0.300 REF		7.62 REF	
D4		0.300	-	7.62	-
D	44	0.685	0.695	17.40	17.65
D1		0.650	0.656	16.51	16.66
D2		0.590	0.630	14.99	16.00
D3		0.500 REF		12.70 REF	
D4		0.470	-	11.94	-
D	68	0.985	0.995	25.02	25.27
D1		0.950	0.958	24.13	24.33
D2		0.890	0.930	22.61	23.62
D3		0.800 REF		20.32 REF	
D4		0.625	-	15.87	-

21-0049B