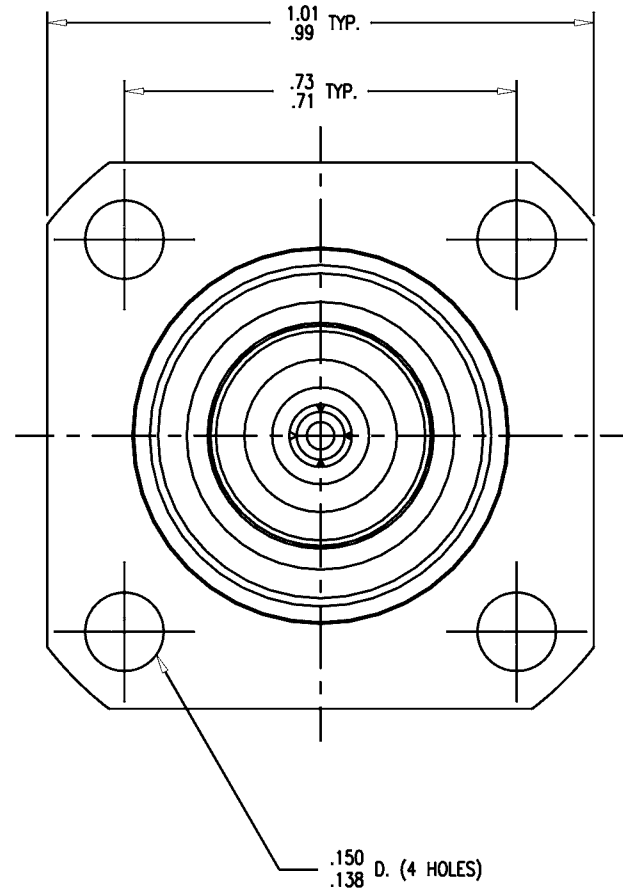
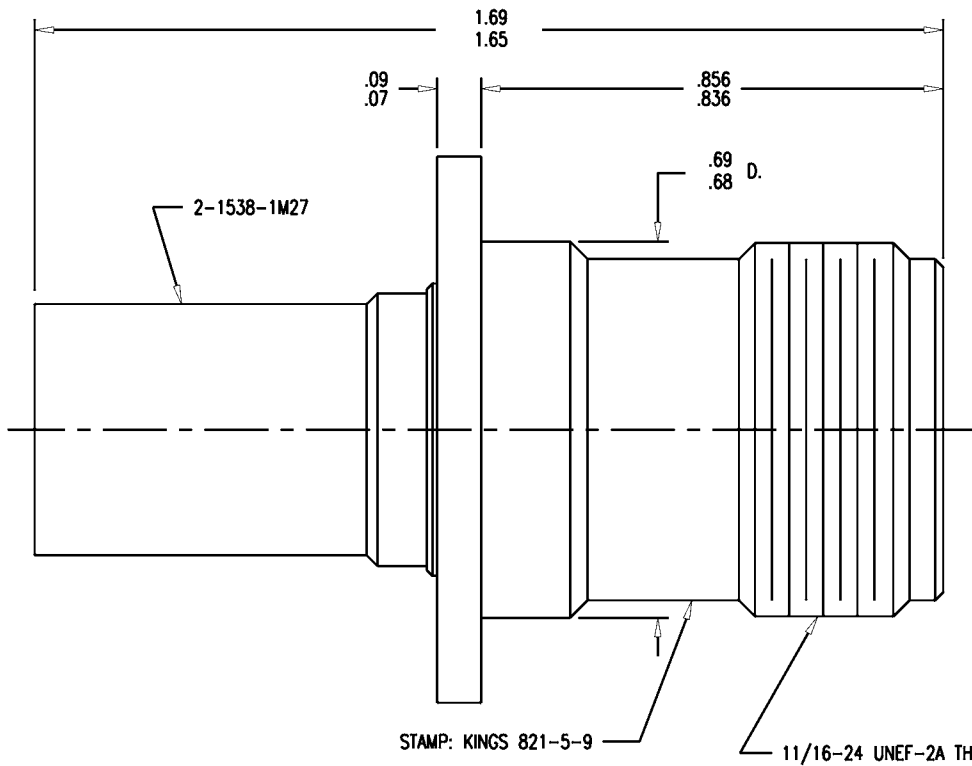


GSD



821-5-9

NOTES:

1. FOR USE WITH BOEING S280W503-5 & ADAMS RUSSELL FC38Z CABLE.
2. FOR CABLING INSTRUCTIONS SEE 3-546-2.
3. FOR CRIMPING USE DIE KTH-2213.
4. INTERFACE PER MIL-STD-348, FIG. 309-2.
5. FOR USE WITH .188 MAX PANEL.
6. CENTER CONTACT (1-842-24MA9) SUPPLIED UNASSEMBLED.
7. MARK PACKAGE: KINGS 821-5-9
XXXX (DATE CODE)
8. MATERIALS:
INSULATOR-TEFLON, ASTM-D-1457
K-GRIP SLEEVE-COMMERCIAL BRONZE, ALLOY 220
CENTER CONTACT-BER. COP., ASTM-B-196
ALL OTHER METAL PARTS-BRASS, ASTM-B16
9. FINISHES:
CENTER CONTACT-GOLD PLATE PER MIL-G-45204
ALL OTHER METAL PARTS-KINGS TARNISH RESISTANT FINISH (TR-5)
10. ELECTRICAL CHARACTERISTICS:
NOMINAL IMPEDANCE-50 OHMS
FREQUENCY RANGE-DC TO 11 GHZ
WORKING VOLTAGE-1000 VRMS

REVISIONS

ISSUE	CHANGES
0	ER 33863 KH 04/16/92

KAM1916

SCALE	4:1		
APPROX SURFACE AREA			
WAS:	E-17402		
USED ON			
REF:	BOEING		
JACK, PANEL, SC			
DRAWN	KH	DATE	04/16/92
DESIGN	JT	DATE	04/17/92
APPR.		DATE	

KINGS
ELECTRONICS CO., INC.
TUCKAHOE, NEW YORK 10707

821-5-9

GSD