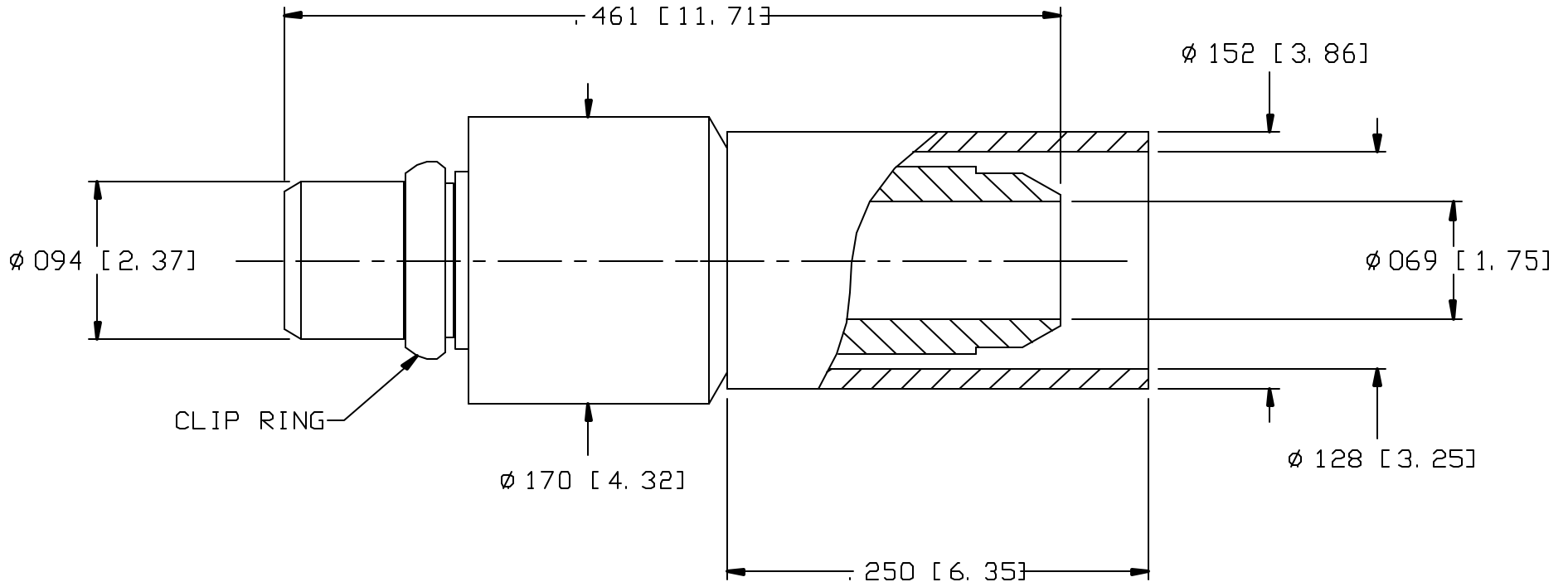


CAD DRAWING - NO MANUAL REVISIONS



NOTES:

1. DESIGN AND INTERFACE PER I. D. S. -33.
2. CENTER CONTACT SHIPPED LOOSE.
3. FOR USE WITH RG-316 CABLE.
4. CRIMP WITH HEX .128 (M22520/5-03).

				PALCO CONNECTOR 22 GREAT HILL RD., NAUGATUCK, CT 06770 UNLESS OTHERWISE SPECIFIED, PALCO WORKMANSHIP STANDARDS APPLY TOLERANCES ON: DECIMALS: XX ± .01 , XXX ± .005 ANGLES ± 1/2° DIMENSIONS IN INCHES OR (METRIC) DO NOT SCALE PRINTS	DRAWN YS	CHECKED HN	ENGINEER EW	APPROVED HN	FSCM 58167
G	PER ECN 5094	06/07/99	HN			DESCRIPTION STRAIGHT PMMX PLUG, CRIMP/CRIMP TYPE			
F	PER ECN 4748	10/22/98	HN			DATE 07/03/94	DRAWING NO. 33-0900-0670	PLATING OPT. A	
E	PER ECN 3342	03/13/96	HN						
D	PER ECN 3134	09/26/95	HN						
REV.	DESCRIPTION	DATE	APPR.	MAT.					

THE INFORMATION IN THIS DOCUMENT IS CONFIDENTIAL AND PROPRIETARY AND MAY NOT BE USED FOR ANY PURPOSE WITHOUT THE WRITTEN CONSENT OF PALCO.