

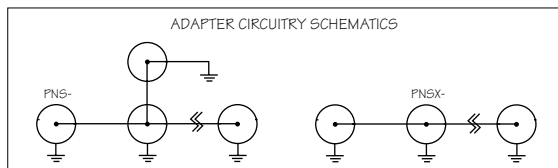
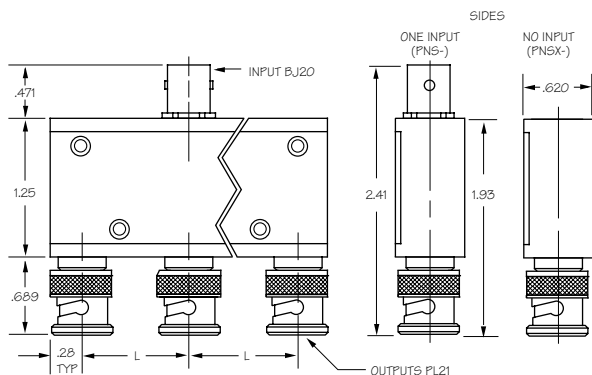
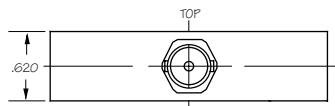
# COAX PATCHING ACCESSORIES

## ADAPTERS

### FIXED PARALLELING

50Ω BNCs

Call factory for 75Ω versions

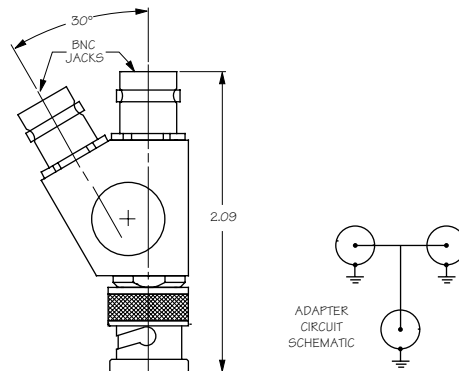


△ = NUMBER OF CONNECTORS

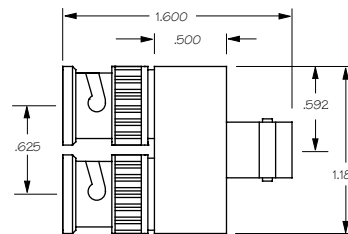
"L"	ONE INPUT	NO INPUT
0.625"	PNS-B-△	PNSX-B-△
0.750"	PNS-C-△	PNSX-C-△
0.830"	PNS-D-△	PNSX-D-△
0.875"	PNS-E-△	PNSX-E-△
1.000"	PNS-F-△	PNSX-F-△
1.125"	PNS-G-△	PNSX-G-△
1.210"	PNS-H-△	PNSX-H-△
1.250"	PNS-J-△	PNSX-J-△
1.430"	PNS-K-△	PNSX-K-△
.0734"	PNS-L-△	PNSX-L-△

"L" Length in inches

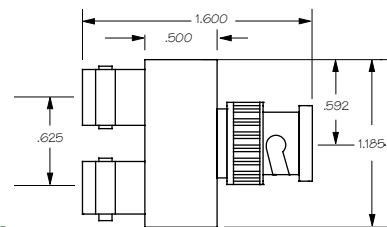
Also available with push-on connectors, call factory.



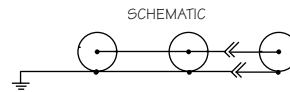
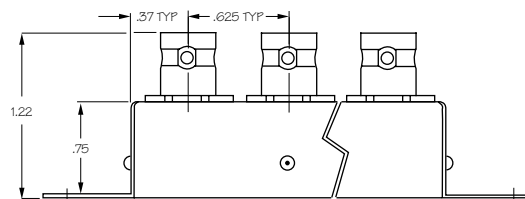
**ADAPTER  
FIXED PARALLELING**  
50Ω BNC-Two jacks, One plug **PN2C**



**ADAPTER  
FIXED PARALLELING**  
50Ω BNC-One jack, Two plugs **PN2**



**ADAPTER  
FIXED PARALLELING**  
50Ω BNC-Two jacks, one plug **PN2A**



**ADAPTERS  
MULTIPLE PARALLEL NETWORK**  
50Ω **MPN-△ /BNC**  
50Ω **MPN-△ /TNC**

Contact the Factory for more information