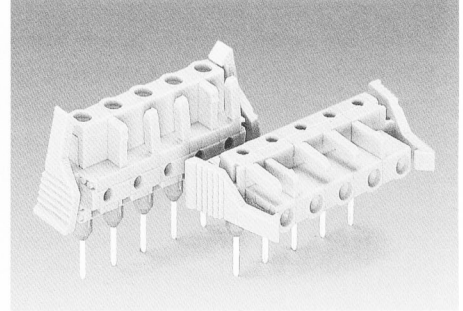
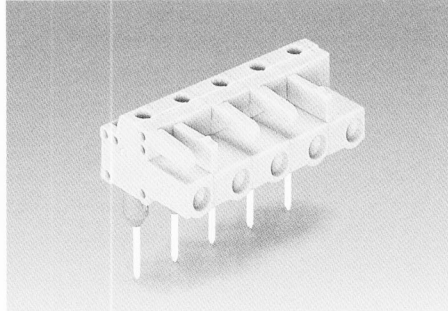
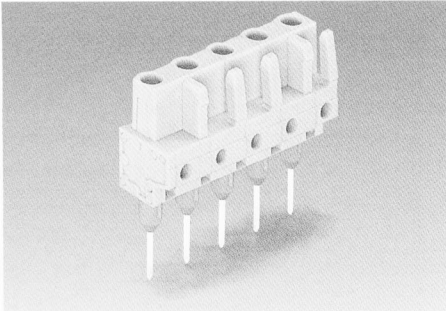








Female Connectors for Front-Entry Rail-Mounted Terminal Blocks, 100 % Protected against Mismatching, Pin Spacing 7.5 mm / 0.295 in, Light Grey** 73

<p>Straight contact pin 0.6 mm x 1 mm Pin spacing 7.5 mm/0.295 in, light grey 400 V/6 kV/3 12 A 300 V, 15 A Ⓔ</p> <p>Mating direction vertical</p> <p>* Ⓔ CCA Ⓢ LR NV</p>	<p>Right angle contact pin 0.6 mm x 1 mm Pin spacing 7.5 mm/0.295 in, light grey 400 V/6 kV/3 12 A 300 V, 15 A Ⓔ</p> <p>Mating direction horizontal</p> <p>* Ⓔ CCA Ⓢ LR NV</p>	<p>Female connectors with long contact pins and locking device</p>
--	---	---

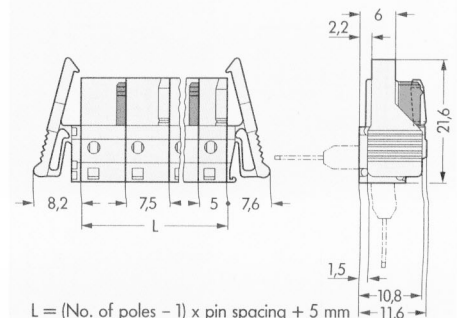
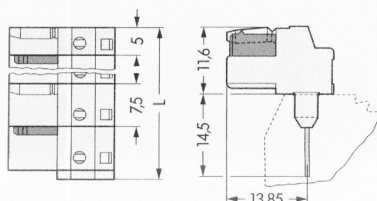
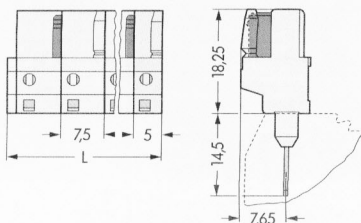


No. of poles	Item-No.	Additional item-No. for . . .
Female connectors with straight long contact pins, 100 % protected against mismatching, with coding fingers, with two latches, light grey		Female connectors with right angle contact pins, 100 % protected against mismatching, with coding fingers, with two latches, light grey
2	722-732/005-000	. . . Female connectors with long straight or right angle contact pins and locking device
3	722-733/005-000	
4	722-734/005-000	
5	722-735/005-000	
6 ①	722-736/005-000	. . . /039-000
7 ①	722-737/005-000	
8 ①	722-738/005-000	
9 ①	722-739/005-000	
10 ①	722-740/005-000	Ordering example:
11 ①	722-741/005-000	Female connector with long straight contact pins and locking device, 100 % protected against mismatching, pin spacing 7.5 mm/0.295 in, light grey,
12 ①	722-742/005-000	12-pole 722-742/005-000/039-000
① only suitable for factory installation		

Accessories

 <p>Test plug, w. cable 500 mm/1'7.7" 2 mm/0.079 in Ø, red 210-136 2.3 mm/0.091 in Ø, yel. 210-137</p>	 <p>Test plug, w. cable 500 mm/1'7.7" 2 mm/0.079 in Ø, red 210-136 2.3 mm/0.091 in Ø, yel. 210-137</p>	 <p>Test plug, w. cable 500 mm/1'7.7" 2 mm/0.079 in Ø, red 210-136 2.3 mm/0.091 in Ø, yel. 210-137</p>
 <p>Operating tool, for insertion of female connectors into front-entry rail-mounted terminal blocks 5-way 280-425</p>	 <p>Operating tool, for insertion of female connectors into front-entry rail-mounted terminal blocks 5-way 280-425</p>	 <p>Operating tool, for insertion of female connectors into front-entry rail-mounted terminal blocks 5-way 280-425</p>
<p>** Each terminal block (5 mm/0.197 in wide, series 280) has to be provided with an intermediate plate (2.5 mm/0.098 in wide).</p> <p>For the operation of the locking device at least 20 mm space is required either side for each connector.</p>		

Dimensions (in mm)



$L = (\text{No. of poles} - 1) \times \text{pin spacing} + 5 \text{ mm} + 1.5 \text{ mm}$

$L = (\text{No. of poles} - 1) \times \text{pin spacing} + 5 \text{ mm} + 1.5 \text{ mm}$

$L = (\text{No. of poles} - 1) \times \text{pin spacing} + 5 \text{ mm}$

* For further approvals with corresponding ratings see pages 10.3 ff.