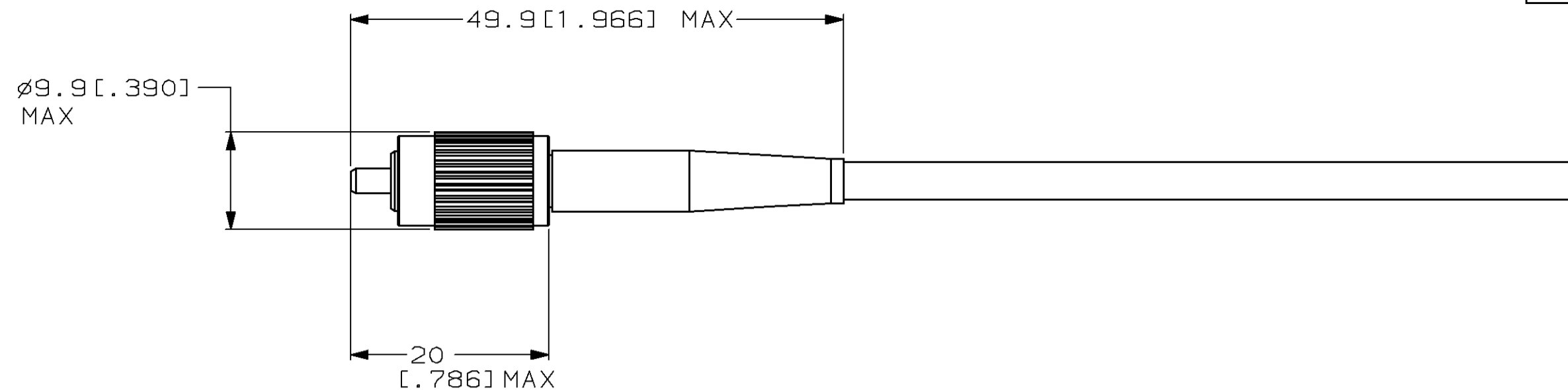
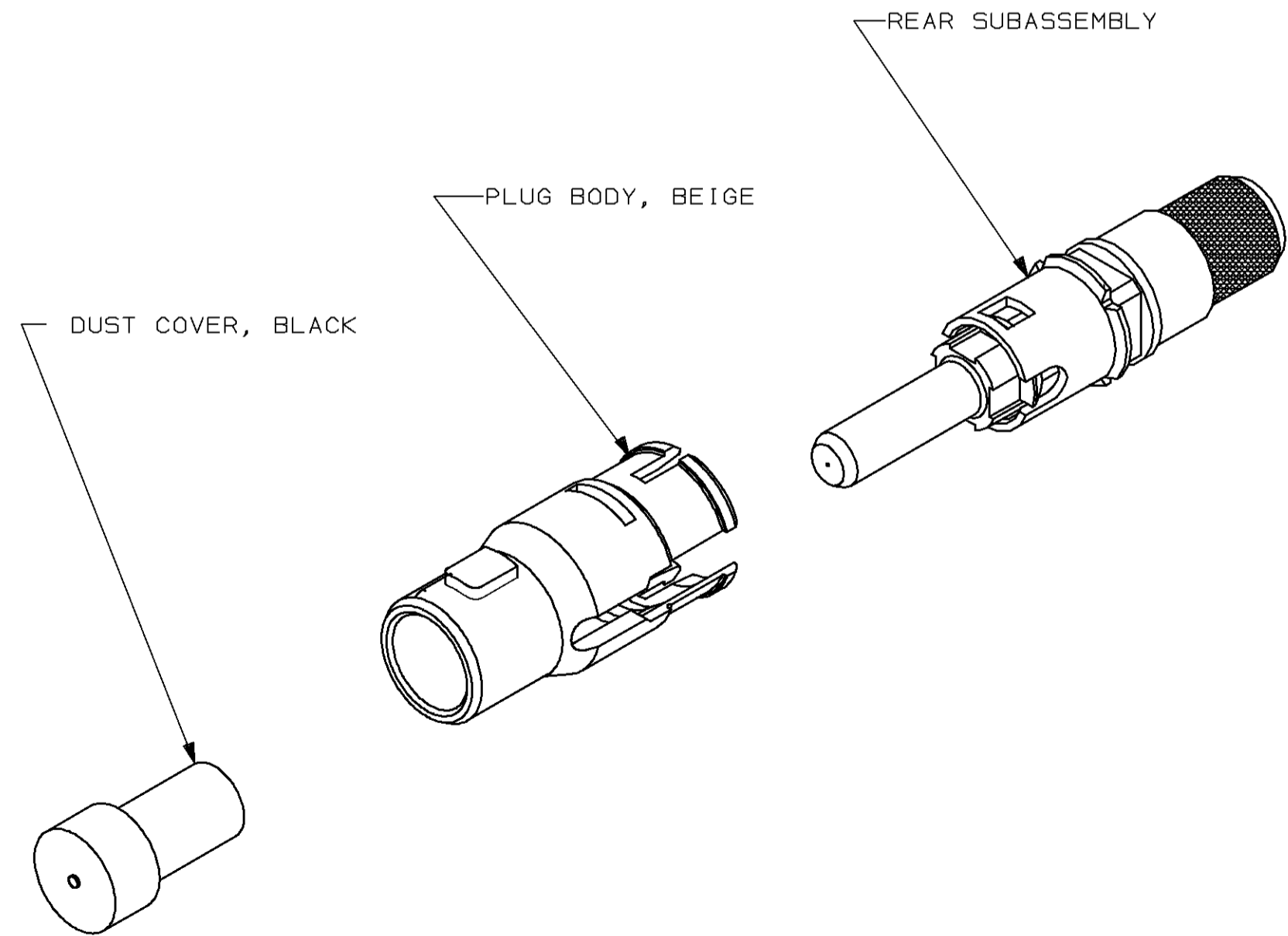
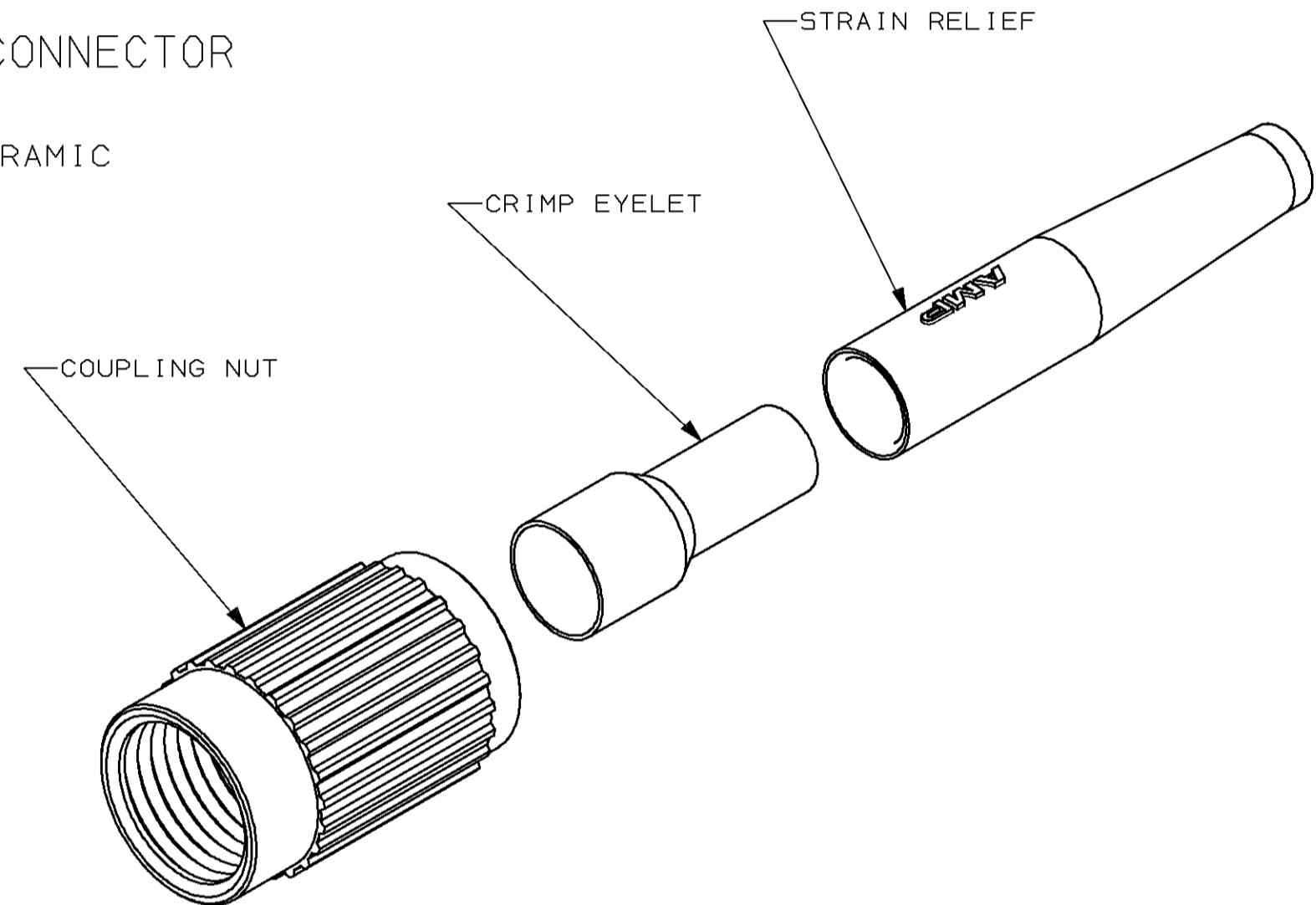


THIS DRAWING IS UNPUBLISHED. RELEASED FOR PUBLICATION
 BY AMP INCORPORATED. ALL RIGHTS RESERVED.

LOC	DIST	REVISIONS			
P	LTR	DESCRIPTION	DATE	DWN	APVD
CE	16				
D		REVISE PER 0A00-0543-95	3-12-96	BB	BP



- ASSEMBLED CONNECTOR**
- 1 MATERIAL:
 - COUPLING NUT: BRASS
 - PLUG BODY: THERMOPLASTIC
 - REAR SUBASSEMBLY: THERMOPLASTIC, STAINLESS STEEL, CERAMIC
 - CRIMP EYELET: COPPER
 - STRAIN RELIEF: THERMOPLASTIC ELASTOMER
 - DUST CAP: THERMOPLASTIC
 - 2 FINISH:
 - COUPLING NUT: ELECTROLESS NICKEL
 - CRIMP EYELET: BRIGHT TIN
 - 3 BULK PACKAGE, 500 PIECES.
 - 4. TO BE USED WITH 3.0mm "LOOSE-JACKETED" CABLE.



3	BLUE	BLUE	126 ⁺¹ / ₋₀ μm	504648-8
3	BLUE	NATURAL	125 ⁺¹ / ₋₀ μm	504648-7
3	YELLOW	BLUE	126 ⁺¹ / ₋₀ μm	504648-6
3	YELLOW	NATURAL	125 ⁺¹ / ₋₀ μm	504648-5
	YELLOW	BLUE	126 ⁺¹ / ₋₀ μm	504648-4
	YELLOW	NATURAL	125 ⁺¹ / ₋₀ μm	504648-3
	BLUE	BLUE	126 ⁺¹ / ₋₀ μm	504648-2
	BLUE	NATURAL	125 ⁺¹ / ₋₀ μm	504648-1
	STRAIN RELIEF COLOR	FERRULE BASE COLOR	FERRULE HOLE SIZE	PART NUMBER

THIS DRAWING IS A CONTROLLED DOCUMENT FOR AMP INCORPORATED. IT IS SUBJECT TO CHANGE AND THE CONTROLLING ENGINEERING ORGANIZATION SHOULD BE CONTACTED FOR THE LATEST REVISION.

DIMENSIONS: mm (INCHES)	TOLERANCES UNLESS OTHERWISE SPECIFIED:	DWN B. BRIGGS 7-19-95	AMP Incorporated Harrisburg, PA 17105-3608
0 PLC ±-	1 PLC ±-	CHK B. PARKER 7-19-95	CONNECTOR KIT, SINGLEMODE, FC, TUNABLE, 3.0mm
2 PLC ±-	3 PLC ±-	APVD D. STAKEM 7-19-95	
4 PLC ±-	ANGLES ±-	PRODUCT SPEC	SIZE A2
MATERIAL 1	FINISH 2	APPLICATION SPEC	CAGE CODE 00779
		WEIGHT	DRAWING NO C-504648
		CUSTOMER DRAWING	SCALE NTS
			SHEET 1 OF 1
			REV D

504648

- [Home](#)
- [Part Number Search](#)
- [Text Search](#)
- [Alternate Part Search](#)
- [Multiple Part Comparison](#)
- [Alphabetical Search](#)
- [Brand Search](#)
- [Industry Product Search](#)
- [Product Type Search](#)
- [Product Family Search](#)
- [Competitor Cross Reference](#)
- [Document Number Search](#)
- [Lead Free Solutions](#)
- [Help/Glossary](#)

Current Brand View

AMP

[View All Tyco Electronics Brands](#)

Click to activate links to all other products

Fiber Optic Products

FC Type and D4 Connectors

AMP

504648-1 -- 4 of 9 products

Active

[Active](#)

(Tyco Electronics P/N: 504648-1)

Previous	Next	Sales Information	AMP ACES	Step Search Screen
			Related Documents	General Information
			Pricing	Product Availability

Please use the customer drawing for all design activity.

- **Customer Drawing: 504648**, Rev. D
Document Title: CONNECTOR KIT, SINGLEMODE, FC, TUNABLE, 3.0mm

[172477.pdf](#) [172477.pdf](#) (50K)

The photographs and/or line drawings below are representative images of a product for viewing purposes only.

[Product Photo](#)

Searchable Features:

Brand:	AMP
Product Type:	Connector
Product Style:	FC
Mode:	Singlemode
Fiber Size (Micron):	125
Panel Attachment:	No
Hole Size:	125 µm

Other Properties:

Boot Type:	Long
Boot Color:	Blue
Packaging Method:	Carton
Packaging Quantity:	50

Cable Diameter (mm [in]):	3.00 [.120]
Connector Style:	Multi-piece/Tunable

[Copyright](#) and [Privacy Statement](#)

Visit [Tyco International, Ltd.](#)

[Products](#) | [Brands](#) | [Industries](#) | [Customer Service](#) | [About](#) | [Home](#)