

SD

3155-5-101

REVISIONS

ISSUE	CHANGES
0	ER 38394 HVN 09/11/01

3155-5-101SD

SCALE 2:1

APPROX SURFACE AREA

WAS E-19940

USED ON COMMSCOPE

REF:

7-16 PLUG

7-16 PLUG

DRAWN HVN	DATE	04
-----------	------	----

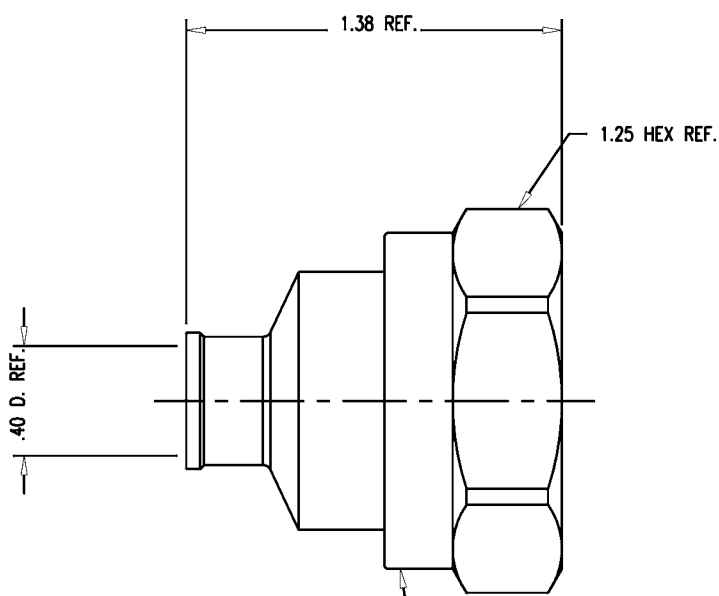
DESIGN LI	DATE
-----------	------

APPR.	DATE
-------	------

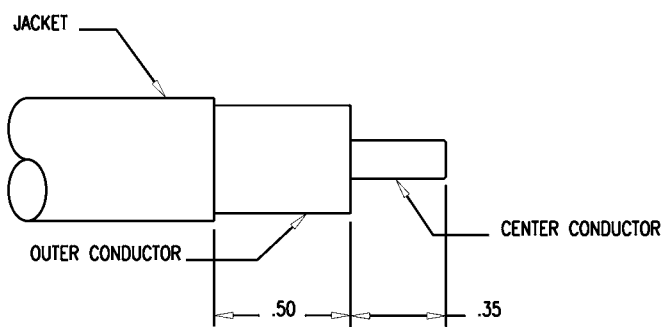
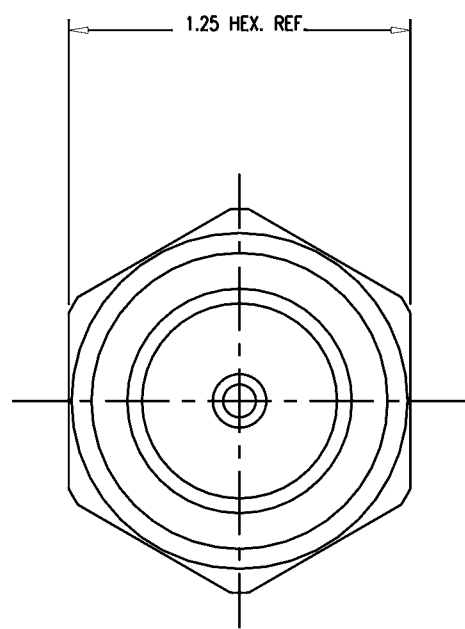
KINGS
ELECTRONICS CO., INC.
ROCK HILL, SOUTH CAROLINA 29730

3155-5-101

SD



STAMP: KINGS 3155-5-101
YRWK (DATE CODE)



PROPOSED TRIM DIM'S

NOTES:

- FOR USE WITH COMMSCOPE CR 50 396 PE CABLE.
- FOR CABLING INSTRUCTIONS SEE 3-692.
- INTERFACE PER IEC STANDARD 169-4 TYPE 7-16 MM, AS APPLICABLE.
- MATERIALS:
INSULATOR: TEFLON.
GASKET: SILICONE RUBBER.
ALL OTHER METAL PARTS: BRASS.
- FINISHES:
CENTER CONTACT: HARD GOLD PLATE.
COUPLING NUT: WHITE BRONZE PLATE.
ALL OTHER METAL PARTS: SILVER PLATE.
- ELECTRICAL CHARACTERISTICS:
NOMINAL IMPEDANCE: 50 OHMS
FREQUENCY RANGE: DC TO 6 GHz
WORKING VOLTAGE: 2700 VRMS
- MARK PACKAGE: KINGS 3155-5-101
YRWK (DATE CODE)
- CENTER CONTACT, O-RING AND COUPLING NUT SUPPLIED UNASSEMBLED.