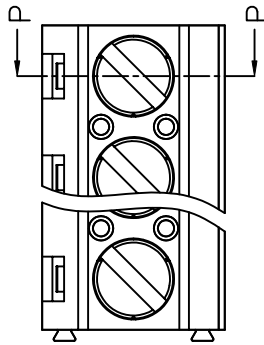


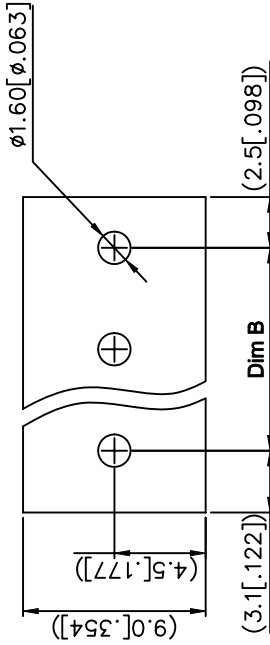
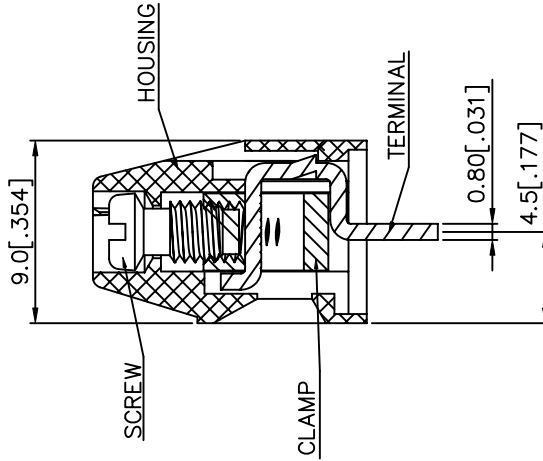
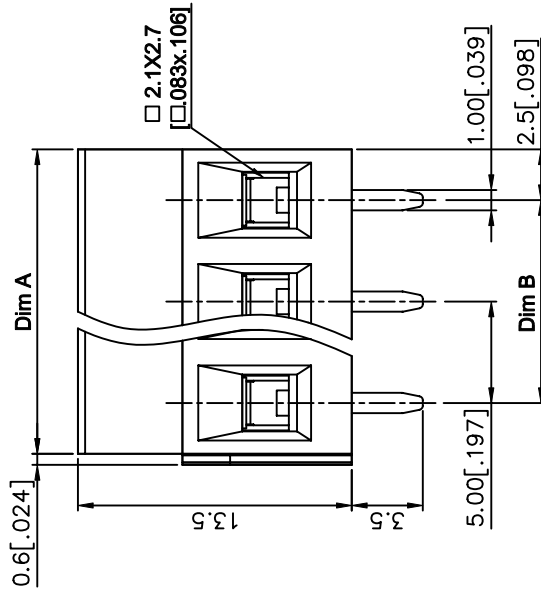
PRODUCT NUMBER	SERIES NAME	PITCH
20020316-CXXXXXXLF	21-500	5.00 mm



N=NUMBER OF POLES

Dim A	N*5.0[.197]
Dim B	(N-1)*5.0[.197]

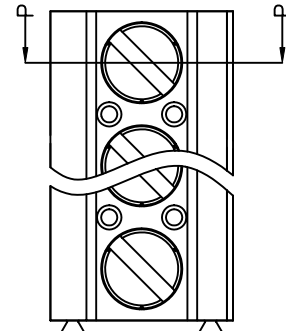
POLES	TOLERANCE
2p-6p	±0.15[.006]
7p-12p	±0.25[.010]
13p-16p	±0.35[.014]
17p-24p	±0.40[.016]



SECTION P-P

mat'l. code		surface	tolerance	projection	product family	TERMINAL BLOCK
itr		ASME Y14.5	ASME Y14.5	MM	title	TERMINAL BLOCK
ecn no		tolerances unless otherwise specified	X:±0.5[.020]	INCH	FIXED HORIZONTAL WIRE INLET	sheet 2 of 3
dr		angles	X:X±0.3[.012]	scale	dwg no	20020316
engr		X'±1'	X:XX±0.1[.004]	FCI	type	CUSTOMER Drawing
chr		dr	BEER FU 062509			
appd		engr	BEER FU 062509			
revision		chr	GARY HSIEH 062509			
sheet		appd	JOSEPH HSIA 062509			
index						

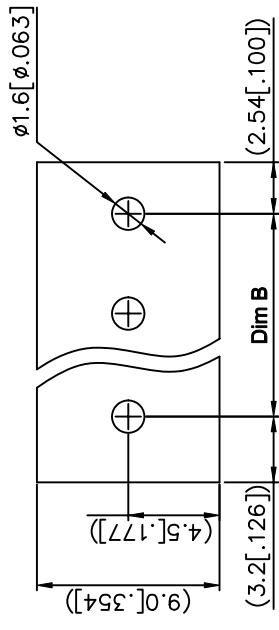
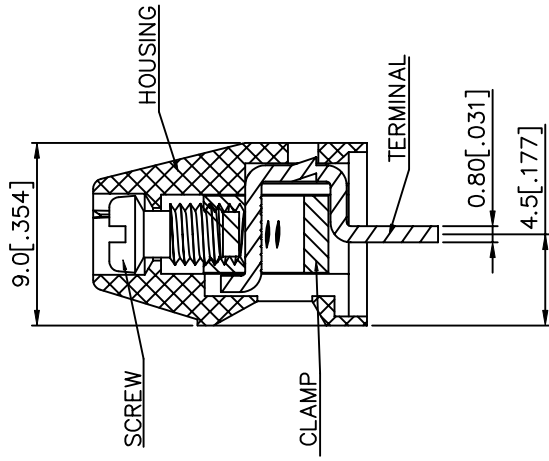
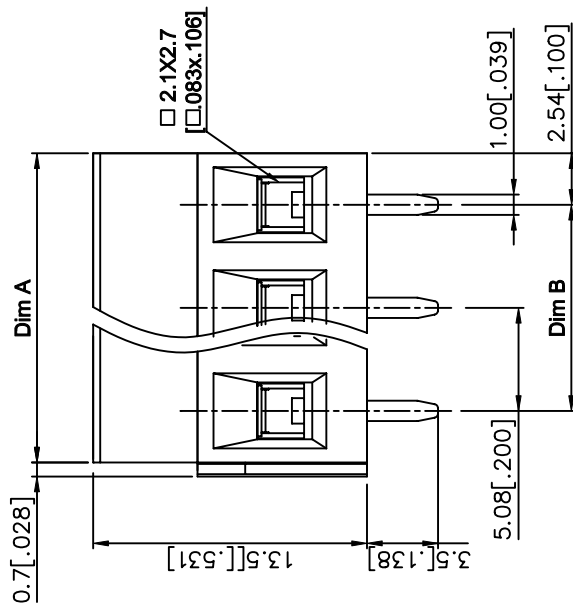
PRODUCT NUMBER	SERIES NAME	PITCH
20020316-HXXXXXXLF	21-508	5.08 mm



N=NUMBER OF POLES

Dim A	N*5.08[.200]
Dim B	(N-1)*5.08[.200]

POLES	TOLERANCE
2p-6p	±0.15[.006]
7p-12p	±0.25[.010]
13p-16p	±0.35[.014]
17p-24p	±0.40[.016]



P.C.B LAYOUT

SECTION P-P

mat'l. code		surface	tolerance	projection	product family	TERMINAL BLOCK
itr		ASME Y14.5	ASME Y14.5	MM	title	TERMINAL BLOCK
ecn no		tolerances unless otherwise specified	X:±0.5[.020]	INCH	FIXED HORIZONTAL WIRE INLET	
dr		angles	X:X±0.3[.012]	scale	dwg no	sheet 3 of 3
engr		X'±1'	X:XX±0.1[.004]		20020316	A4
chr		dr	BEER FU 062509		type	CUSTOMER Drawing
appd		engr	BEER FU 062509			
revision		chr	GARY HSIEH 062509			
sheet		appd	JOSEPH HSIA 062509			
index						