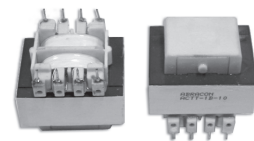


WALL MOUNT LINE TRANSFORMER



ACTT-1A(B)-XXX SERIES

FEATURES:

- Hipot: 2500 VRMS
- Single primary has 6 pins (2 & 3 omitted)
- Dual primary has 8 pins
- 2.4VA, UL1411 recognized

OPTIONS:

- Bulk Pack is standard

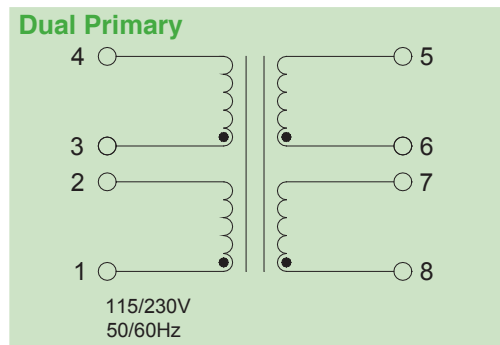
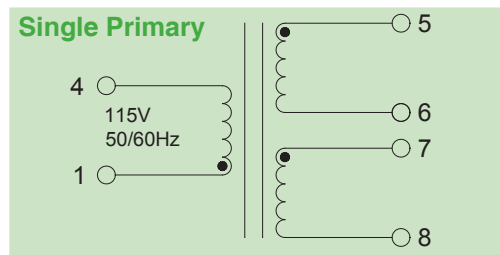
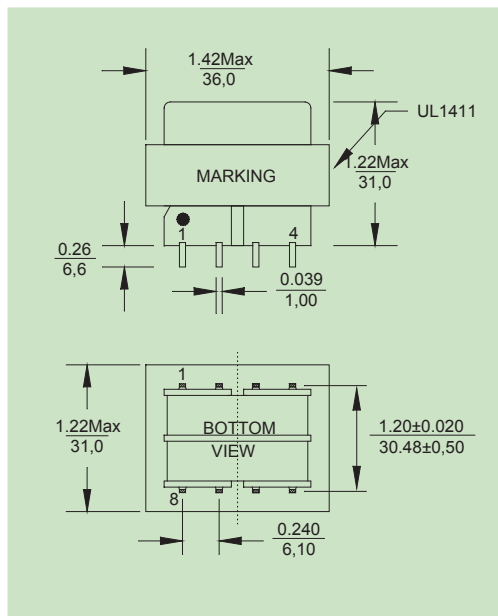
APPLICATIONS:

- 115V/230V 50/60Hz input
- Dual output voltage
- AC-DC Adaptor
- Electrical applicants

STANDARD SPECIFICATIONS:

PART NO		SECONDARY RMS RATING			
PRIMARY	PRIMARY	SERIES (CT)		PARALLEL	
Single 115V (6 pins)	Dual 115/230V (8 pins)	Voltage (V)	Current (A)	Voltage (V)	Current (A)
ACTT-1A-10	ACTT-1B-10	10	0.250	5	0.50
ACTT-1A-12R6	ACTT-1B-12R6	12.6	0.200	6.3	0.40
ACTT-1A-16	ACTT-1B-16	16	0.150	8	0.30
ACTT-1A-20	ACTT-1B-20	20	0.120	10	0.24
ACTT-1A-24	ACTT-1B-24	24	0.100	12	0.20
ACTT-1A-28	ACTT-1B-28	28	0.085	14	0.17
ACTT-1A-36	ACTT-1B-36	36	0.065	18	0.13
ACTT-1A-48	ACTT-1B-48	48	0.050	24	0.10
ACTT-1A-56	ACTT-1B-56	56	0.045	28	0.09
ACTT-1A-120	ACTT-1B-120	120	0.020	60	0.04

PHYSICAL CHARACTERISTICS:



TECHNICAL INFORMATION:

- Order by part no. ACTT-1(suffix letter)-XXX (series voltage)
- "CT" indicates 6-7 shorted
- Operating Temperature: -40°C to +85°C
- Storage Temperature: -55°C to 125°C

Note: All specification subject to change without noticed.