

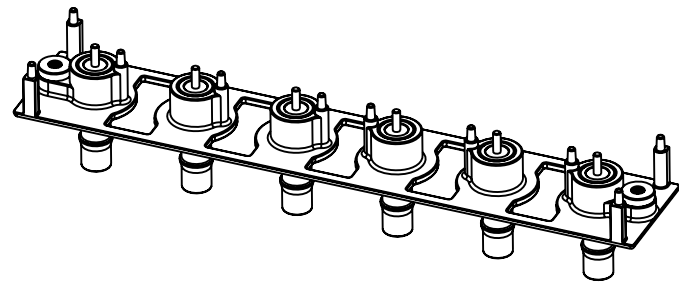
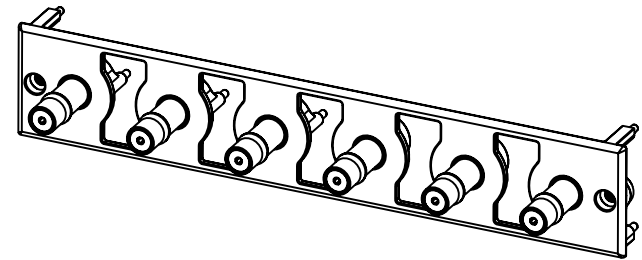
NOTES:

1. MATERIALS AND FINISHES: (PLATING THICKNESS IN MICROMETRE)
 BODY - ZINC, ZEMAC 5 , GOLD PLATING 0.2 UM
 FRONT BODY - BRASS , ALBALOY PLATING 2-4 UM
 CONTACT - PHOSPHOR BRONZE, GOLD PLATING 0.2 UM
 INSULATOR - PTFE
2. ELECTRICAL:
 A. IMPEDANCE: 50 OHM
 B. FREQUENCY RANGE: DC-6 GHZ
 C. VSWR (RETURN LOSS): DC-3 GHZ 1.05 (32 dB), MAX.
 3-6 GHZ 1.08 (25 dB), MAX.
 D. DIELECTRIC WITHSTANDING VOLTAGE: 1000 VRMS, MIN.
3. MICHANICAL:
 A. DURABILITY: 50 CYCLES
 B. TEMPERATURE RANGE: -40°C TO 260°C
4. PACKAGE:
 A. TRAY
 B. MARKING: PACKAGE TO BE MARKED
 "AMPHENOL,QMA6051B3-001-AT8GP-50
 AND DATE CODE"

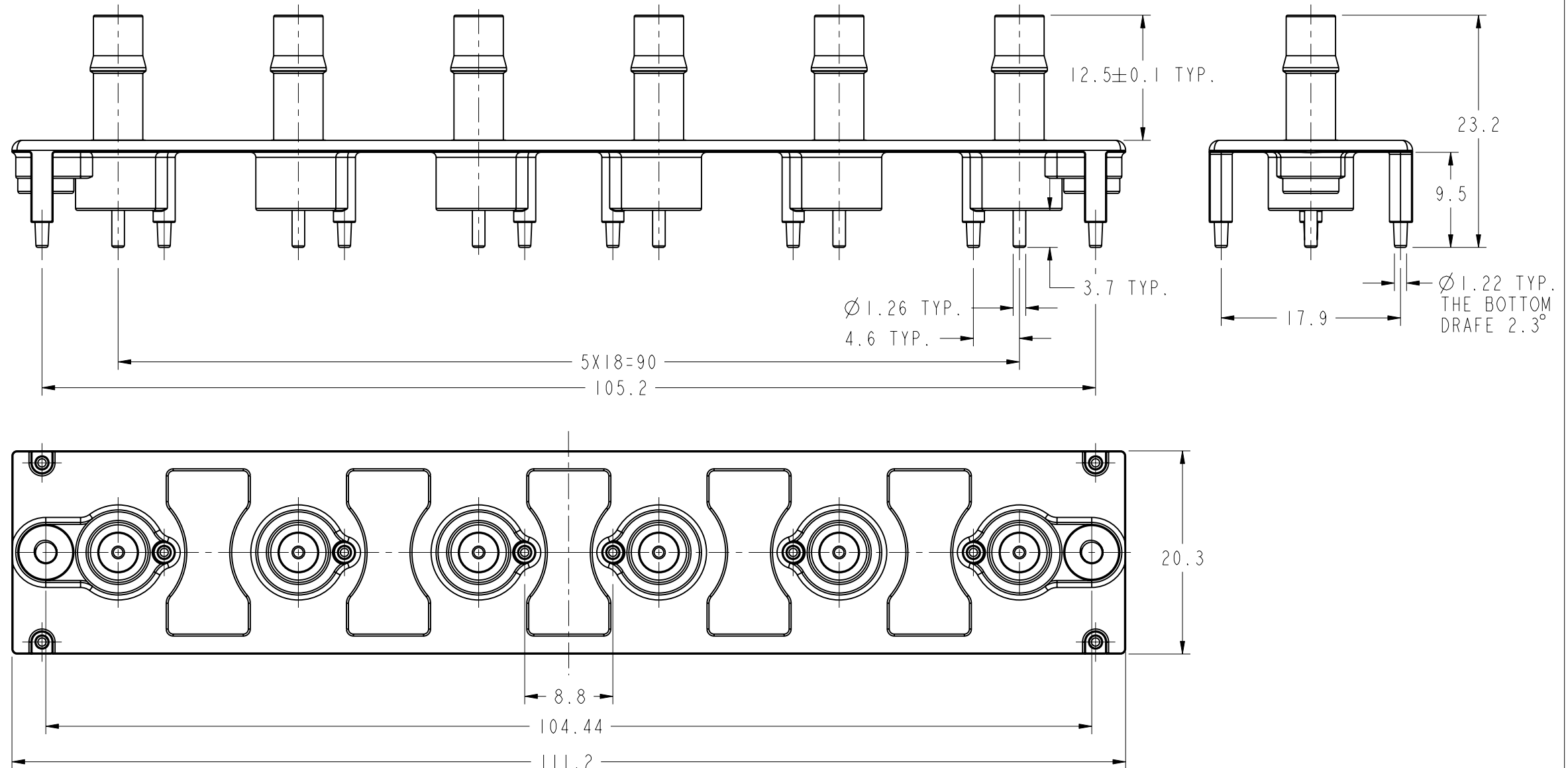
THIRD ANGLE PROJ.

REVISIONS

REV	DESCRIPTION	DATE	ECO	APPR
1	PRELIMINARY RELEASE	06-Mar-07		HARRY
2	SEE SHEET 1	16-Mar-07		HARRY



SCALE 0.800



CUSTOMER OUTLINE DRAWING

ALL OTHER SHEETS ARE FOR INTERNAL USE ONLY

UNLESS OTHERWISE SPECIFIED, DIMENSIONS ARE IN METRIC AND TOLERANCES ARE: 0.5 - 6mm ±0.1mm 6 - 30mm ±0.2mm 30 - 120mm ±0.3mm ANGLES ±1°	MATERIAL	DRAWN HARRY	DATE 16-Mar-07	TITLE 6 POS QMA CONNECTOR			Amphenol RF Danbury CT USA, Tainan, Taiwan, Shenzhen, China www.amphenolrf.com		
	REFERENCE AND CONFIGURATION LEVEL:	APPROVED	DATE 16-Mar-07						
NOTICE - These drawings, specifications, or other data (1) are, and remain the property of Amphenol corp. (2) must be returned upon request; and (3) are confidential and not to be disclosed to any person other than those to whom they are given by Amphenol Corp. the furnishing of these drawings, specifications, or other data by Amphenol Corp., or to any other person to anyone for any purpose is not to be regarded by implication or otherwise in any manner licensing, granting rights to permitting such holder or any other sperson to manufacture, use or sell any product, process or design, patented or otherwise, that may in any way be related to or disclosed by said drawings, specifications, or other data.	FINISH	CAD FILE I:\QMA\QMA6051B3-001-AT8GP-50	SCALE: 2.0:1.0	DWG SIZE B	CODE ID 74868	SHEET 2 OF 2 REV 2	ITEM NO. 70605IAAK00CR5F	PART NO.	