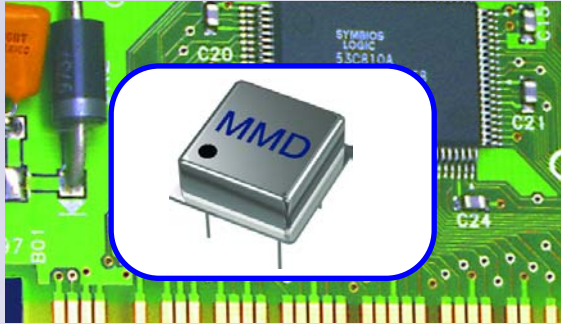


MBP Series

Half-Size (8 pin DIP)

MMD
COMPONENTS



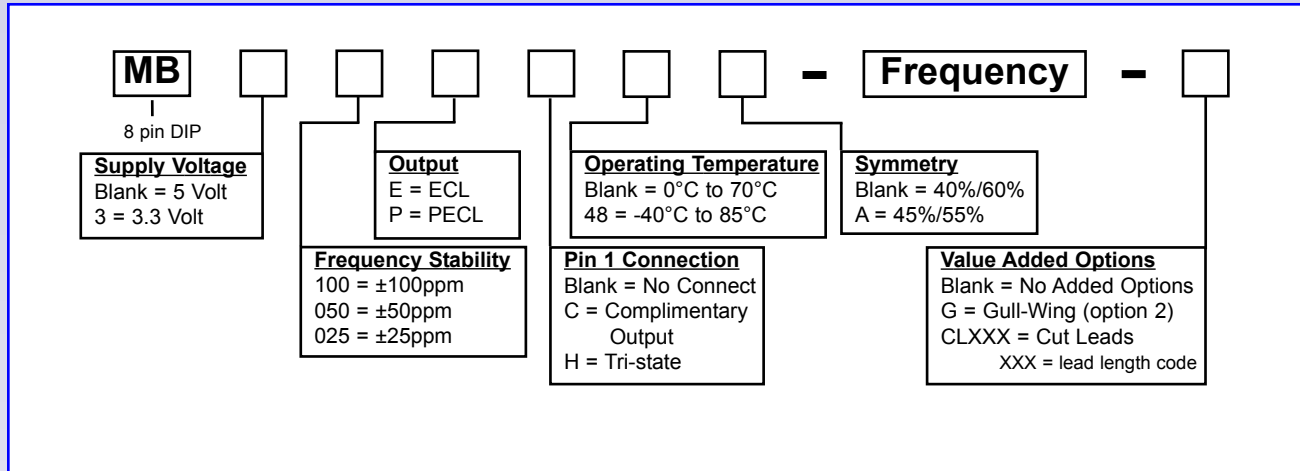
- **Industry Standard Package**
- **5.0 Volt or 3.3 Volt**
- **ECL or PECL Output**
- **Stability to $\pm 25\text{ppm}$**
- **Wide Frequency Range**

Electrical Specifications

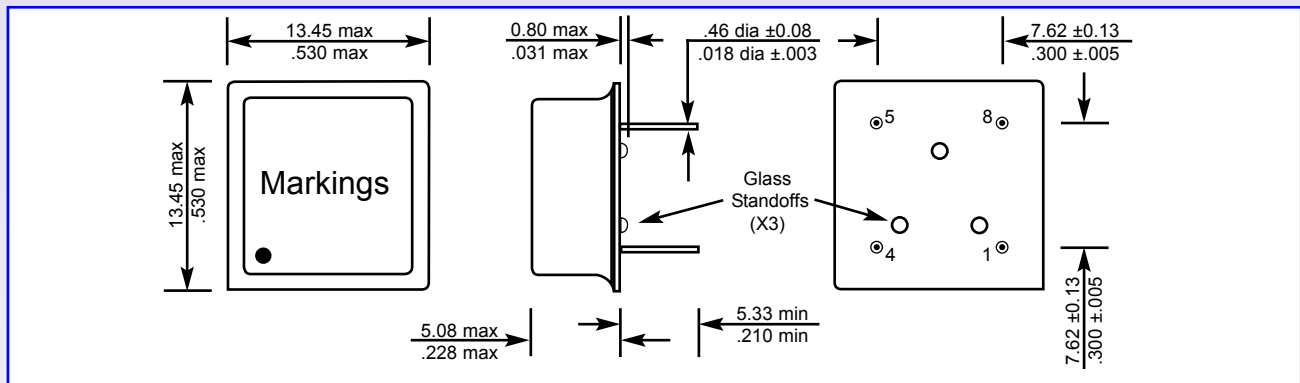
Frequency Range		20.000MHz to 140.000MHz
Frequency Stability (Inclusive of Temperature, Load, Voltage and Aging)		$\pm 100\text{ppm}$ to $\pm 25\text{ppm}$
Operating Temperature Range		0°C - 70°C to -40°C - 85°C
Storage Temperature Range		-55°C to 125°C
Supply Voltage (Vdd)		5.0Vdc $\pm 5\%$ or 3.3Vdc $\pm 5\%$
Supply Current		140mA max.
Output Voltage	Logic "0"	Vdd - 1.5Vdc max.
	Logic "1"	Vdd - 1.2Vdc min.
Duty Cycle	50% of waveform	40%/60% max. or 45%/55% max.
Load Drive Capability		50 Ohms into -2.0Vdc
Rise / Fall Time	20% to 80% of waveform	4nSec max.
Start Up Time		10mSec max.

Notes

Part Numbering Guide



Mechanical Dimensions



Pin Connections

- Pin 1: N/C, Comp. Output, or Tri-state*
- Pin 4: Vss
- Pin 5: Output
- Pin 8: Vdd

***Tri-state Operation**
 Logic 1 or NC = Oscillation
 Logic 0 or GND = High Impedance

Note:
 PECL Output, Vss = Case Ground
 ECL Output, Vdd = Case Ground

Markings

- Line 1: MMD
- Line 2: Part Number
- Line 3: Frequency
- Line 4: Date Code

Value Added and Reference Information

Gull-Wing (G option) -

For specification details refer to page VA3

Cut Leads (CLXXX option) -

For specification details refer to page VA1