

Dot Matrix Units (LUM)

●16×16 Dot Matrix Units

Emitter surface size	Dot size	Specifications	Emitting color		Part No.	Duty ratio	Basic ordering unit	Quantity / package	Quantity / bag	Rank
64 × 64mm	φ3mm	Display only	Multi-color	Red Green Orange	LUM-2563MU100	1/16	8	8	8	○
					LUM-2563ML100		9	9	9	○
		Display with driving circuit			LUM-2563MU300 (COB)		10	10	10	○
					LUM-2563MU301 (C lamp)		10	10	10	○
96 × 96mm	φ5mm	Display only	Single-color	Red/Green	LUM-2565M100/V100 (R lamp)	1/8	20	20	20	○
			Multi-color	Red Green Orange	LUM-2565MV100 (R lamp)	1/16	20	20	20	○
		Display with driving circuit	Multi-color	Red Green Orange	LUM-2565MU302 (R lamp)	1/16	20	20	20	○
					LUM-2565MU304 (R lamp)	1/16	20	20	20	◎
					LUM-2565MU305 (C lamp)	1/16	20	20	20	○
					LUM-2565MU306 (With louver)	1/16	20	20	20	○
					☆LUM-2565ML302 (With louver)	1/8	20	20	20	○
144 × 144mm	φ8mm	Display with driving circuit	Multi-color	Red Green Orange	LUM-2568MU302 (R lamp)	1/16	10	10	10	○
					LUM-2568ML302 (With louver)	1/16	10	10	10	○
					LUM-2568ML303 (With louver)	1/8	10	10	10	○
200mm × 200mm	φ10mm	Display with driving circuit	Multi-color	Red Green Orange	LUM-2568MU352 (R lamp)	1/16	8	8	8	○
	φ8mm				LUM-2568ML352 (With louver)	1/16	8	8	8	○
200mm × 200mm	φ8mm	Display with driving circuit	Multi-color	Red Green Orange	LUM-2568ML353 (With louver)	1/8	8	8	8	○

Note : 1. ☆: Under development

◎ : Standard products ○ : Semi-standard products

Dot Matrix Units
Dot Matrix Displays

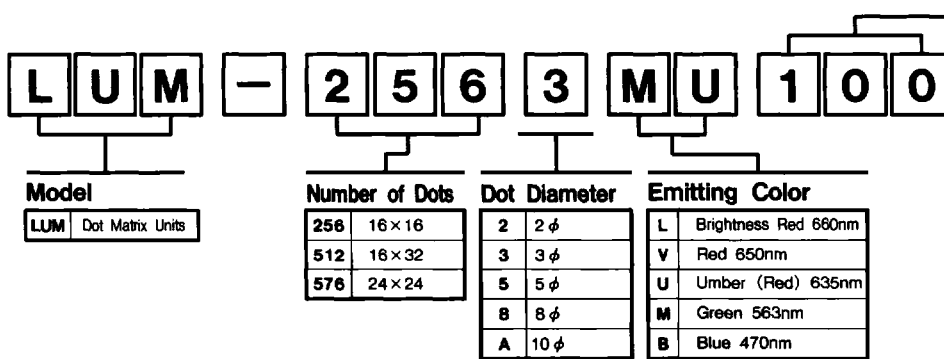
LED

●Product Designation

- When ordering, specify the type.
- Check each code against the code tables shown below.
- Fill a space with the next character.

100~	Display only
200~	With Driver
300~	Controller

Additional

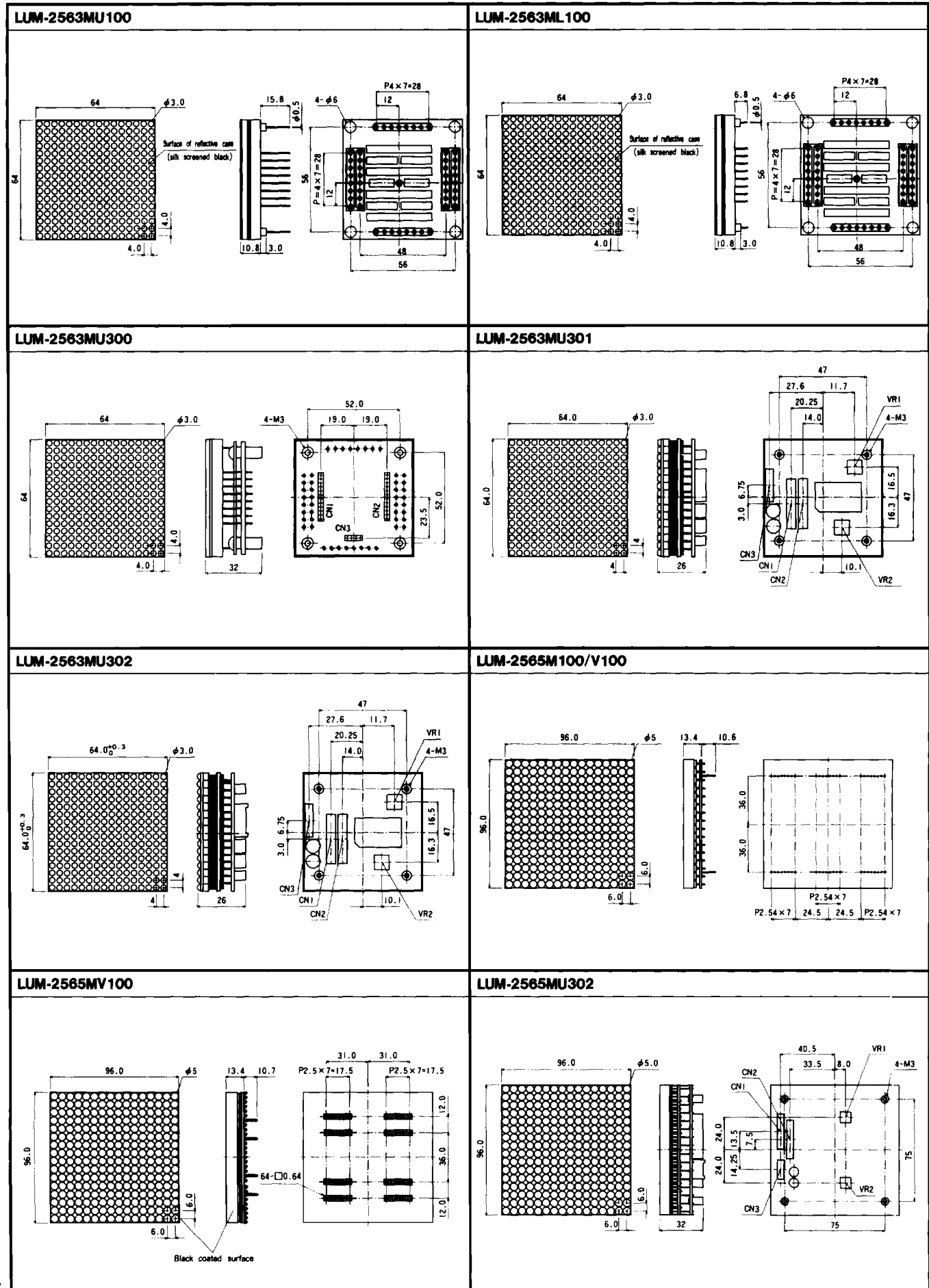


Single color : 1 Letter, Two colors : 2 Letters

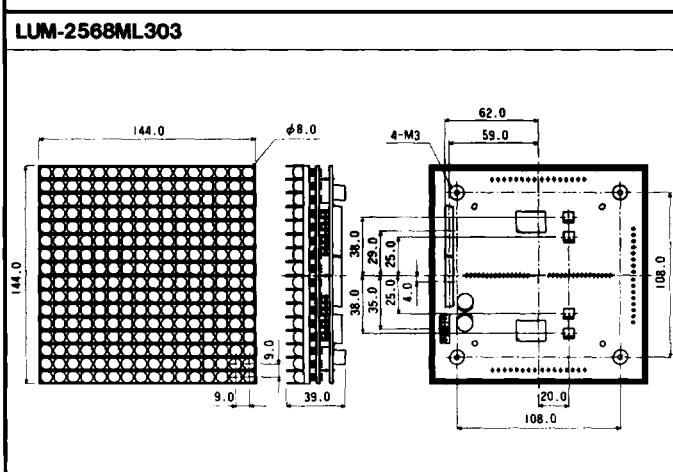
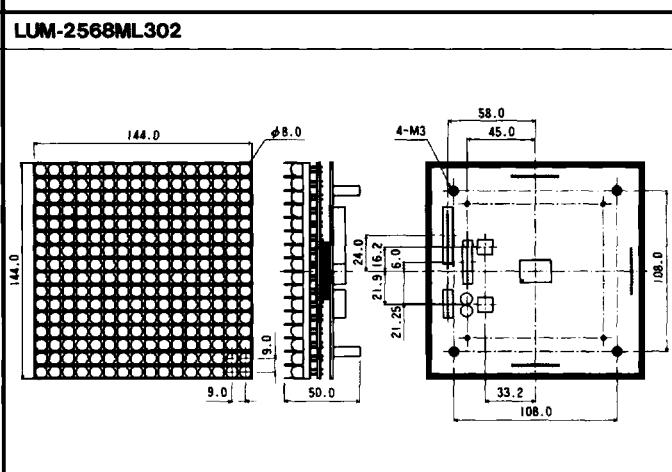
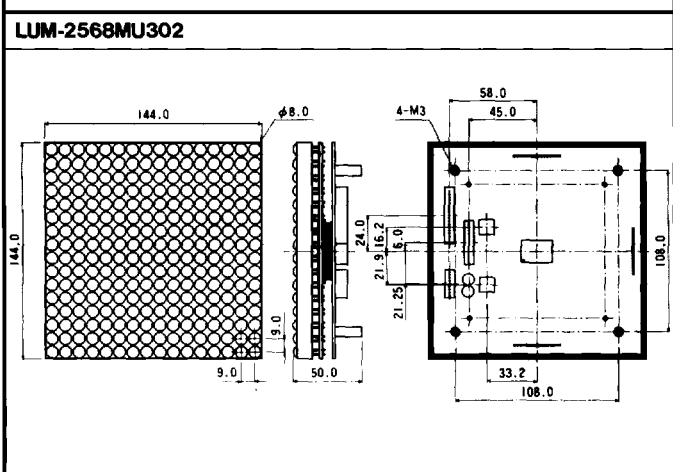
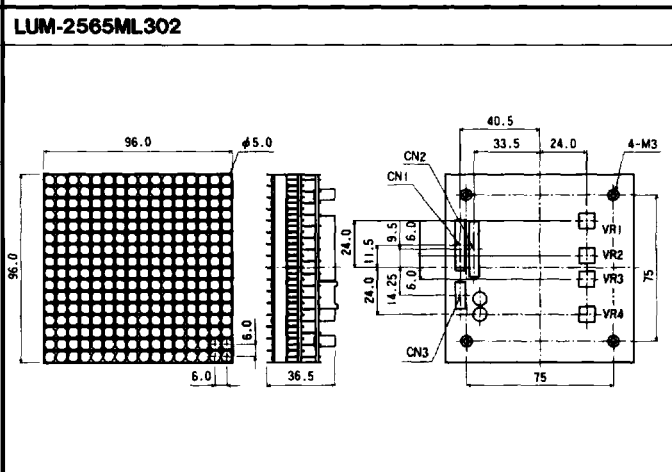
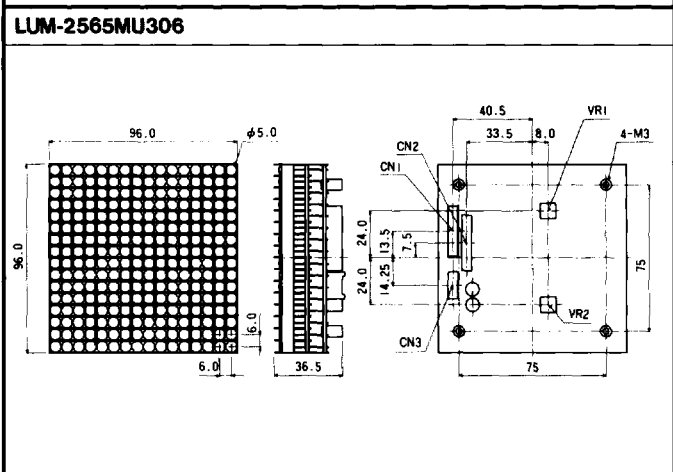
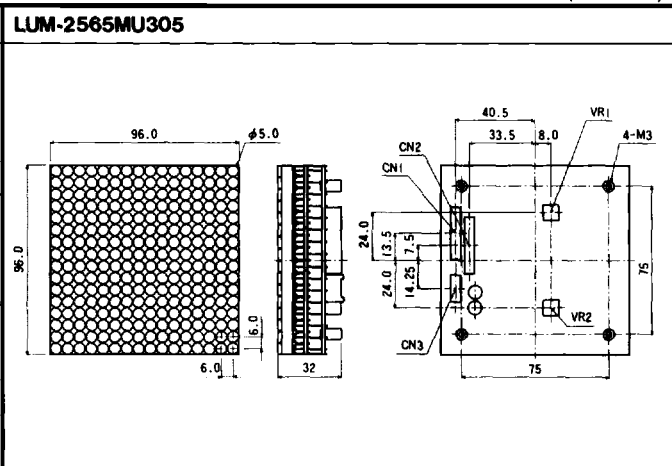
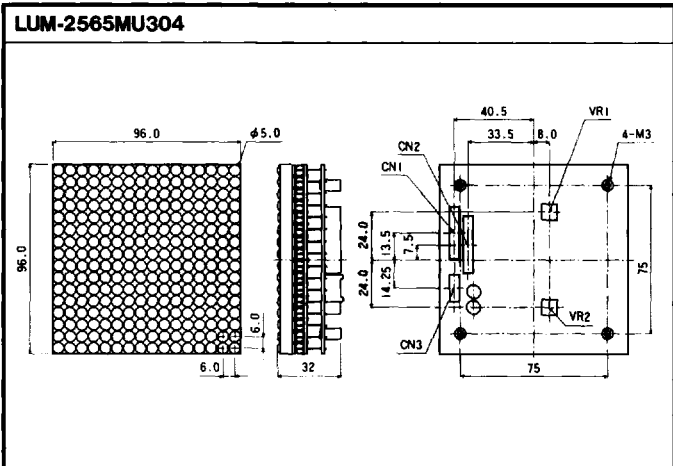
Dot Matrix Units (LUM)

● 16×16 Dot Matrix Units

(Unit : mm)



(Unit : mm)



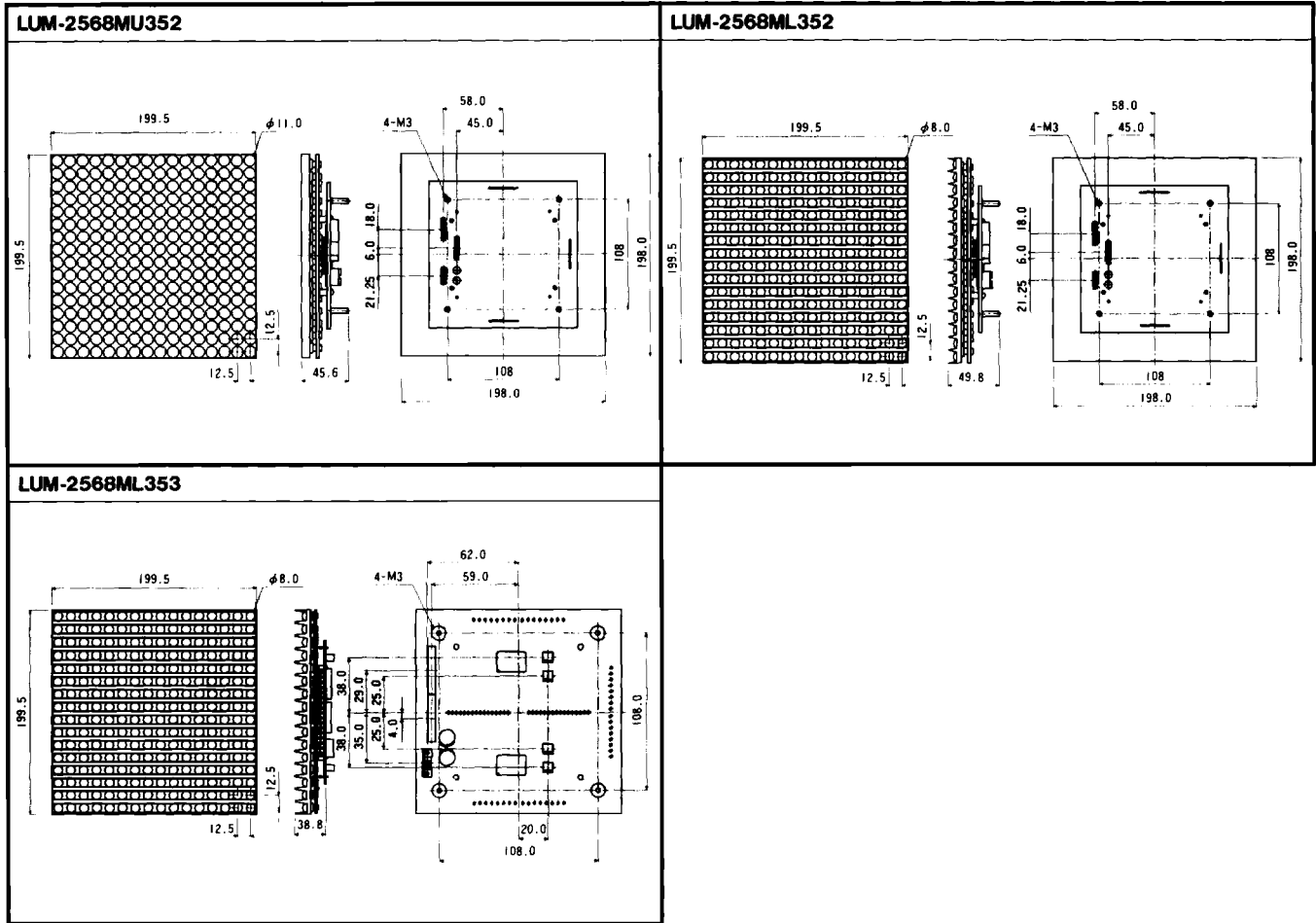
Dot Matrix Units

LED

Dot Matrix Units (LUM)

● 16×16 Dot Matrix Units

(Unit : mm)



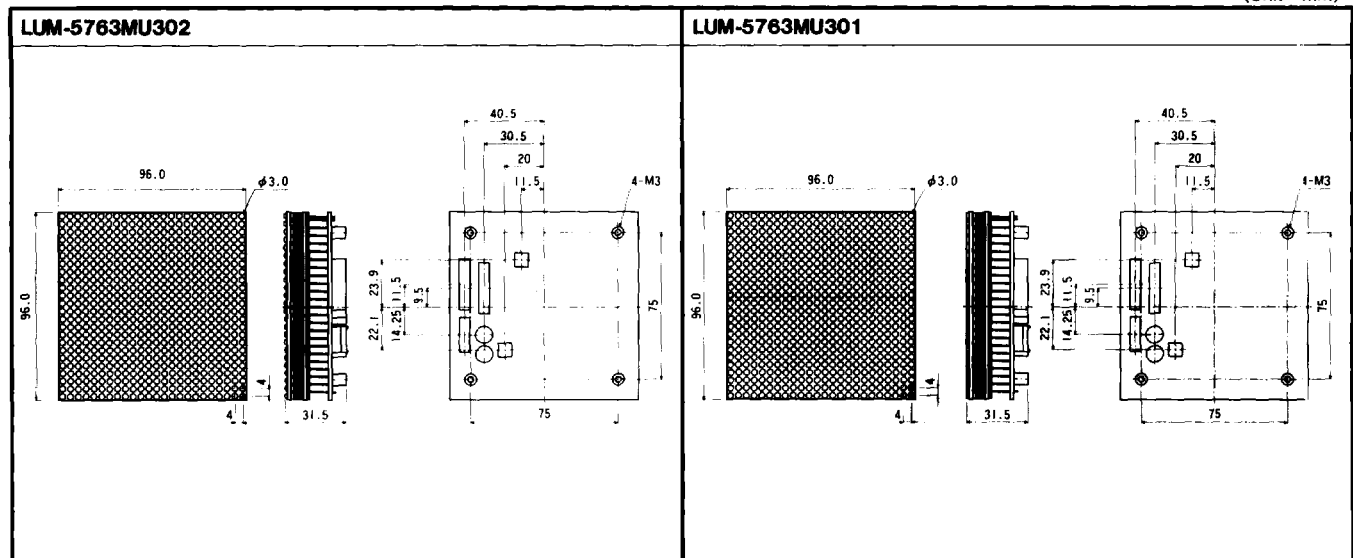
● 24×24 Dot Matrix Units

Emitter surface size	Dot size	Specifications	Emitting color	Part No.		Duty ratio	Basic ordering unit	Quantity/package	Quantity/bag	Rank
				LUM-5763MU302 (R Lamp type)	☆LUM-5763MU301 (C Lamp type)					
96×96mm	$\phi 3$ mm	Display with driving circuit	Multi-color	Red	1/24	20	20	20	○	
				Green						
			Orange							

Note : ☆ Under development

○ : Semi-standard products

(Unit : mm)

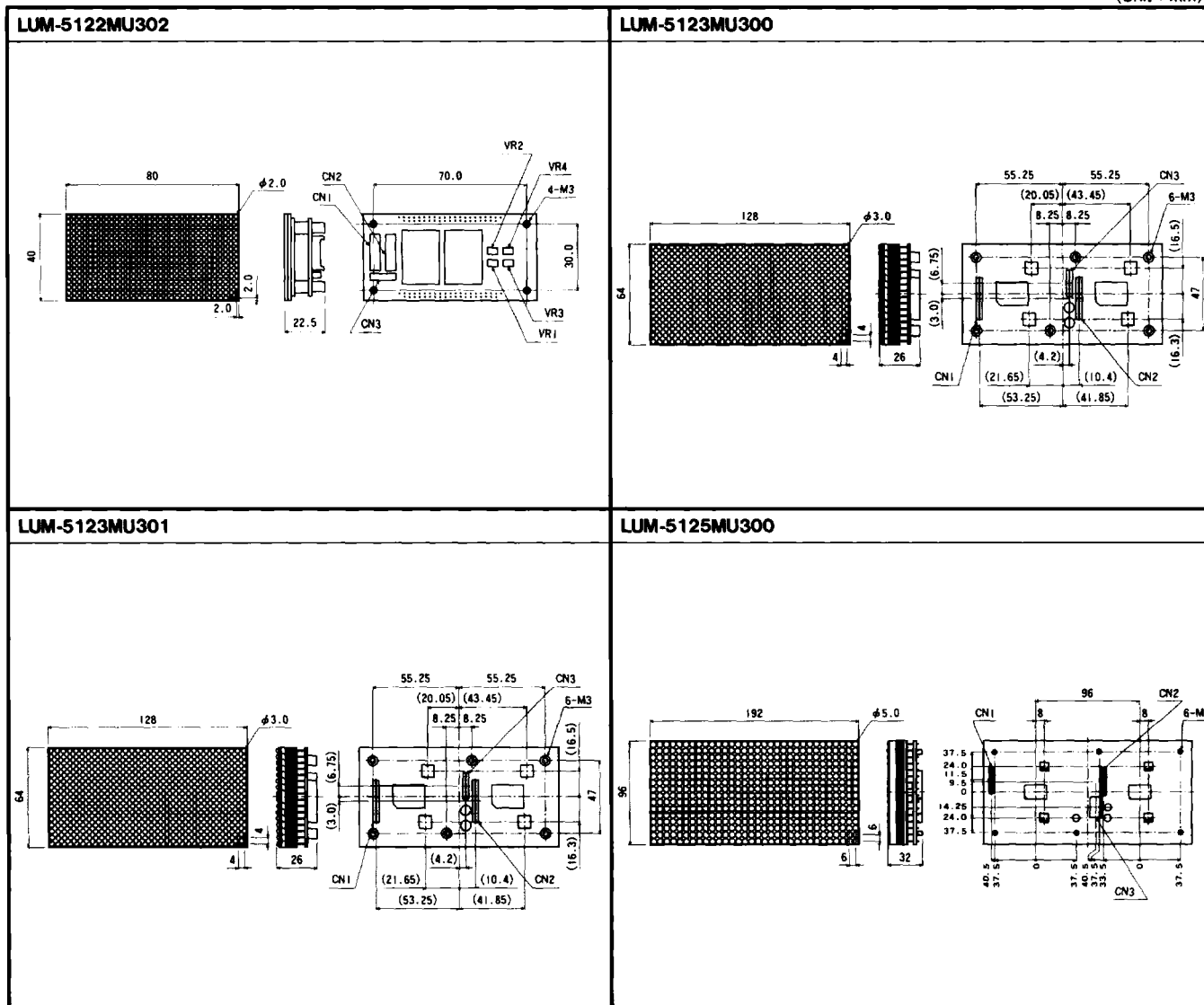


● 16×32 Dot Matrix Units

Emitter surface size	Dot size	Specifications	Emitting color		Part No.	Duty ratio	Basic ordering unit	Quantity/package	Quantity/bag	Flank
New 40.7×81.3mm	φ2mm	Display with driving circuit	Multi-color	Red Green Orange	LUM-5122MU302 (COB type)	1/16	10	40	40	○
64 × 128mm	φ3mm	Display with driving circuit	Multi-color	Red Green Orange	LUM-5123MU300 (C Lamp type)	1/16	10	10	10	○
					LUM-5123MU301 (R Lamp type)		10	10	10	○
96 × 192mm	φ5mm	Display with driving circuit	Multi-color	Red Green Orange	LUM-5125MU300 (R Lamp type)	1/16	10	5	5	○

○ : Semi-standard products

(Unit : mm)



Dot Matrix Units

LED