

Multifunctional Switches

Lever Push Switches (Small Type)

■ Features

1. One unit of this switch is sufficient for both function selection and entry of the selected function.
2. J-Lead type terminals located on the side of the body of the horizontal type help downsize equipment.
3. Two options of a keytop-inclusion type and cap type are available.
4. A long life of 1,000,000 cycles is also available.

■ Specification

Part NO.		JLS1200-02□1	JLS1300-07□□F JLS1300-08□1	JLS1300-12□□F	JLS1300-1301F	JLS1300-10□□F JLS1300-11□1F
Rating		10mA, 5V DC				
Contact Resistance		1Ω max,				
Insulation Resistance		100MΩ, 100V DC				
Withstanding Voltage		100V AC (for one minute)				
Circuit	Rotation	SPDT				
	Push	—	SPST			
Operating Force	Rotation	1.4±0.7N				
	Push	—	2.5±1.25N			
Rotation Angle	On	12.5°				
	Full	18°				
Push Stroke	On	—	0.5mm			
	Full	—	0.8mm			
Operating Life		100,000 cycles				1,000,000 cycles
Operating Temperature Range		-20~+70°C				

■ Application

Mobile phones, portable audio players, digital cameras and other small portable electronic equipment, etc.

□	Part No.
0	Product Part No.
1	Embossed Taping Pack Part No.

*Delivery will be made on embossed tape.

Multifunctional Switches

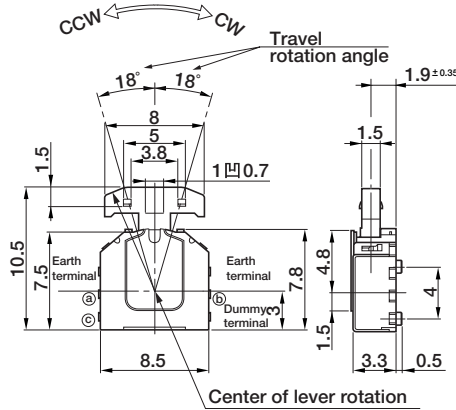
Lever Push Switches

JLS1200-02□1

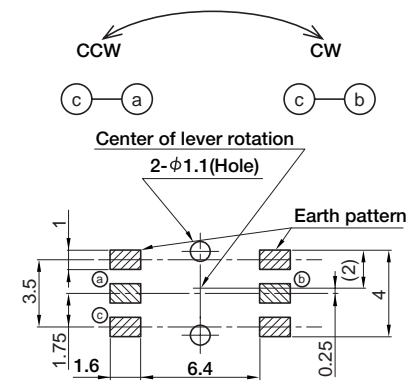
(Without Center Push)



1,000 pcs/reel



Circuit



P. C. Board Dimension

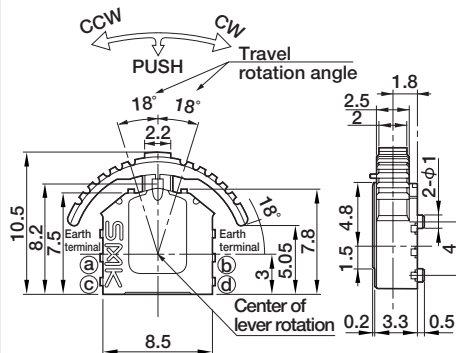
JLS1300-07□XF

(With Center Push)

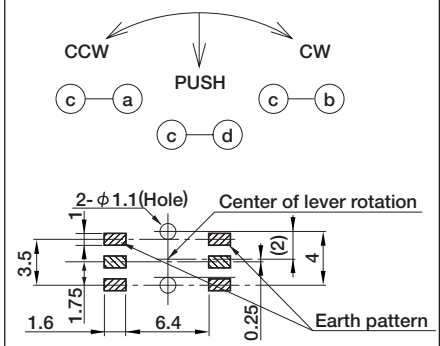


☒	Lever Color
1	Gray
2	Black

1,000 pcs/reel



Circuit



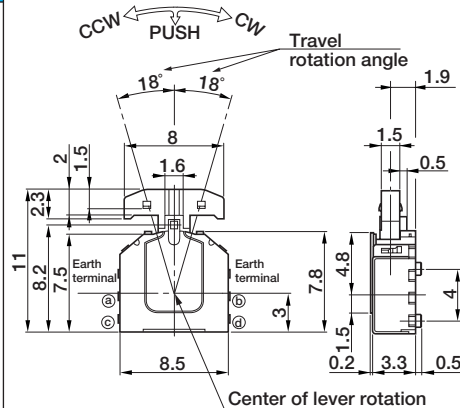
P. C. Board Dimension

JLS1300-08□□

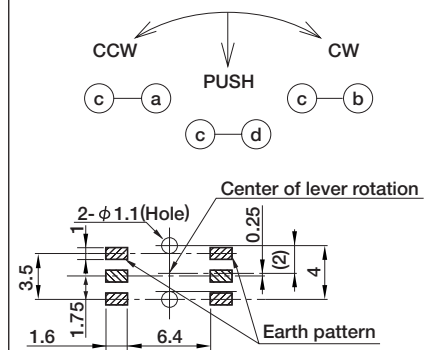
(With Center Push)



1,000 pcs/reel



Circuit



P. C. Board Dimension

Multifunctional Switches

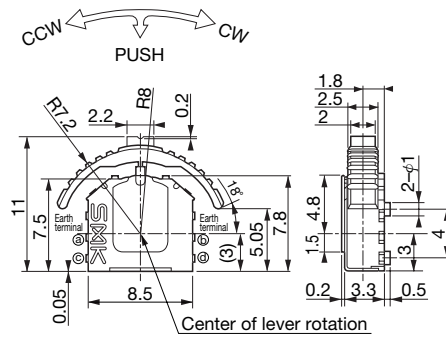
Lever Push Switches (Small Type)

JLS1300-12□F

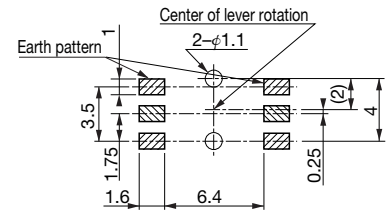
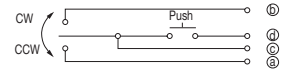


□	Lever Color
1	Black
2	Gray

1,000 pcs/reel



Circuit



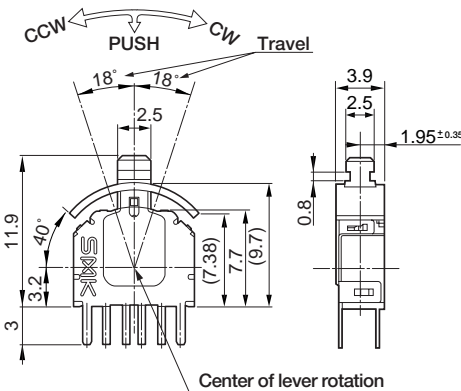
P. C. Board Dimension

JLS1300-1301F

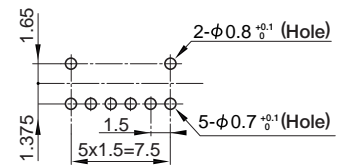
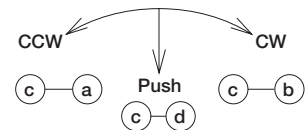
(With Center Push)



Pack in Bulk



Circuit



P. C. Board Dimension

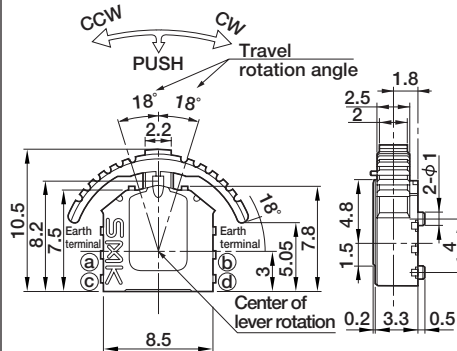
JLS1300-10□F

(With Center Push)

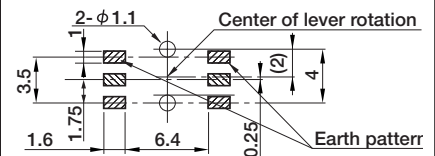
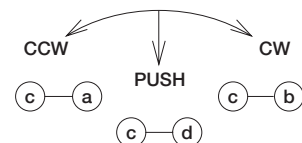


□	Lever Color
1	Gray
2	Black

1,000 pcs/reel



Circuit



P. C. Board Dimension

Multifunctional Switches

Lever Push Switches (Small Type)

JLS1300-11□1F

(With Center Push)



1,000 pcs/reel

