

MC5453L, MC7453P, L (continued)

FIGURE 1 - I_{EX} TEST CIRCUIT

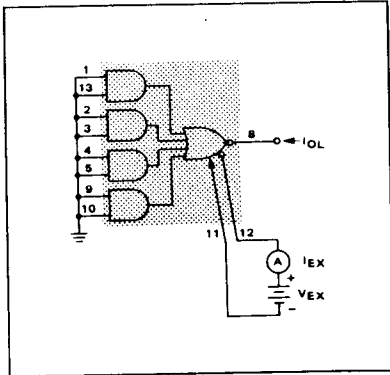


FIGURE 2 - V_{BE} TEST CIRCUIT

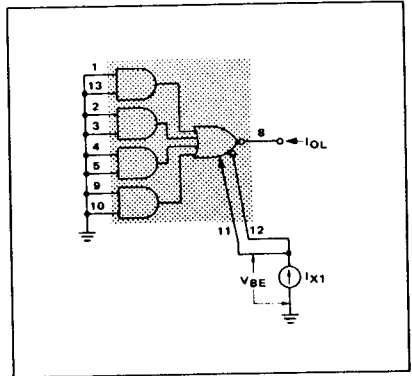


FIGURE 3 - V_{OL} TEST CIRCUIT

