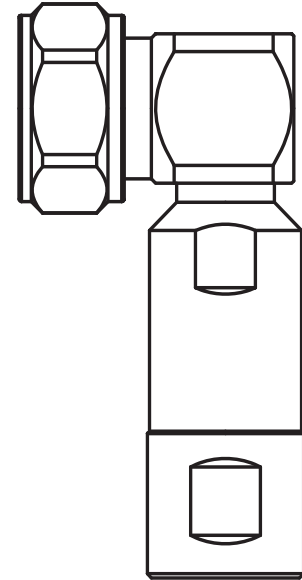


This model was previously released  
as AAC-38ST-43SMR-F

## AC-38ST-4SMR-F

### 4.3/10 Male Right Angle Screw Connector for 3/8" Standard Coaxial Cable

Electrical Characteristics		
Frequency Range	DC-3.8 GHz	
VSWR	≤ 1.10	
Insertion Loss	≤ 0.05 dB	
Intermodulation (2x43 dBm)	≤ -160 dBc	
Insulation Resistance	≥ 5000 mΩ	
Work Voltage	2000 V	
Conductor Resistance	Outer Conductor	< 1.0 mΩ
	Inner Conductor	< 1.0 mΩ
Impedance	50Ω	
Environmental Characteristics		
Temperature Range	-40° C to +85° C (-40° F to +185° F)	
Weather Standard	IEC 60068 40 / 085 / 21	
Waterproofing Standard	IP68	
Thermal Shock	IEC 60068-2-14-Na	
Vibration	IEC 60068-2-6-Fc	
Shock	IEC 60068-2-27	
RoHS Compliant	Yes	
Mechanical Characteristics		
Nut Torque	5 N·m	
Whorl Pull (nut)	500 N	
Tensile Force (Cable-Connect)	500 N	
Torsion (Cable-Connect)	4 N·m	



Quoted performance parameters are provided to offer typical, peak or range values only and may vary as a result of normal testing, manufacturing and operational conditions. Extreme operational conditions and/or stress on structural supports is beyond our control. Such conditions may result in damage to this product. Improvements to products may be made without notice.