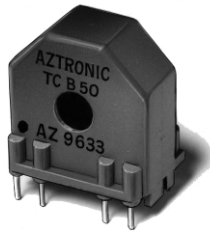


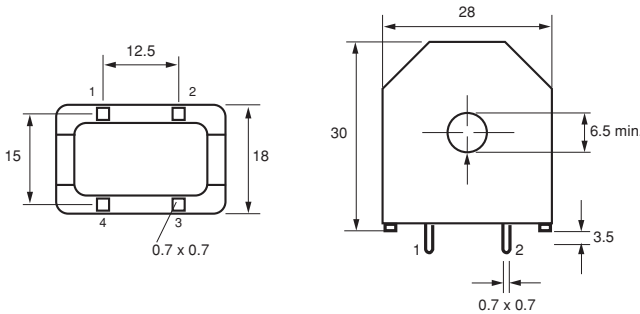
Low Frequency Current Transformers



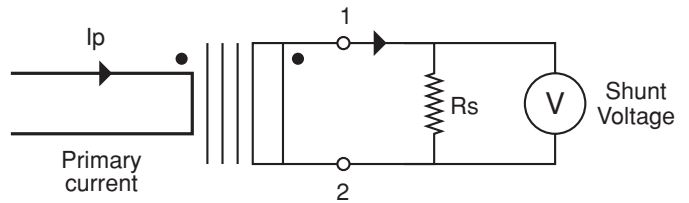
FEATURES

- TCB transformers are designed for AC current measurement for frequencies from 50Hz to 400Hz
- Used for measurement or current limitation for electrical appliances powered by main supply 50/60Hz or low frequency transformers such as motors and heaters
- Measurement is done using a lead going through the center of the transformer
- No temperature rise, no disturbance can be noted

DIMENSIONS in millimeters



TYPICAL APPLICATION



MECHANICAL SPECIFICATIONS

Case UL 94 V0
 Unit Weight 21g

CLIMATIC SPECIFICATIONS

Temperature Range: Shelf - 55°C + 85°C
 Working - 30°C + 75°C

MARKING

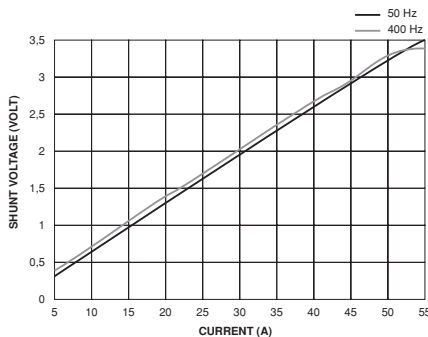
Print marked: series, model, manufacturer, manufacturing date (code). Arrow showing reference for phase matching with winding 1-2.

ELECTRICAL SPECIFICATIONS

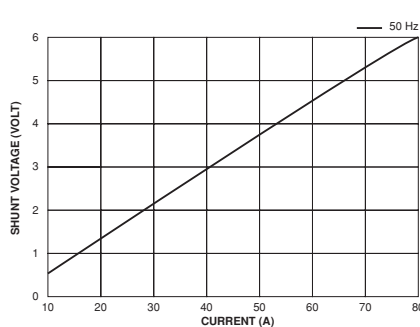
Frequency Range 50Hz/400Hz
 Insulation 2k VRMS, 4k VRMS on request

	TCB 50		TCB 70		TCB 100			
Ratio	1: 500		1: 700		1: 1000			
Shunt Resistance to Add to the Circuit RS (Ω)	33	150	50	200	50	200		
Primary Current max. (A)	50	12	70	16	100	25		
Ratio	Shunt Voltage (V) Primary Current (A)		0.07	0.30	0.071	0.286	0.05	0.2
Winding Resistance 1-2 (Ω)	18.5		33		75			

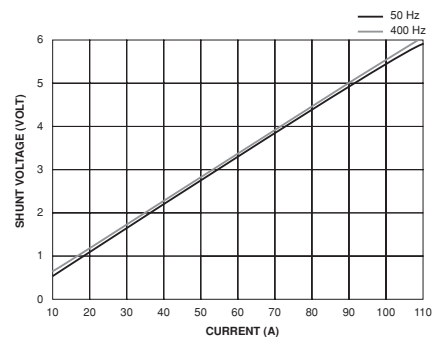
TCB 50 with shunt 33Ω



TCB 70 with shunt 50Ω



TCB 100 with shunt 50Ω



PACKAGING

50 pieces in a sectioned box

ORDERING INFORMATION

TCB
 SERIES

50
 MODEL