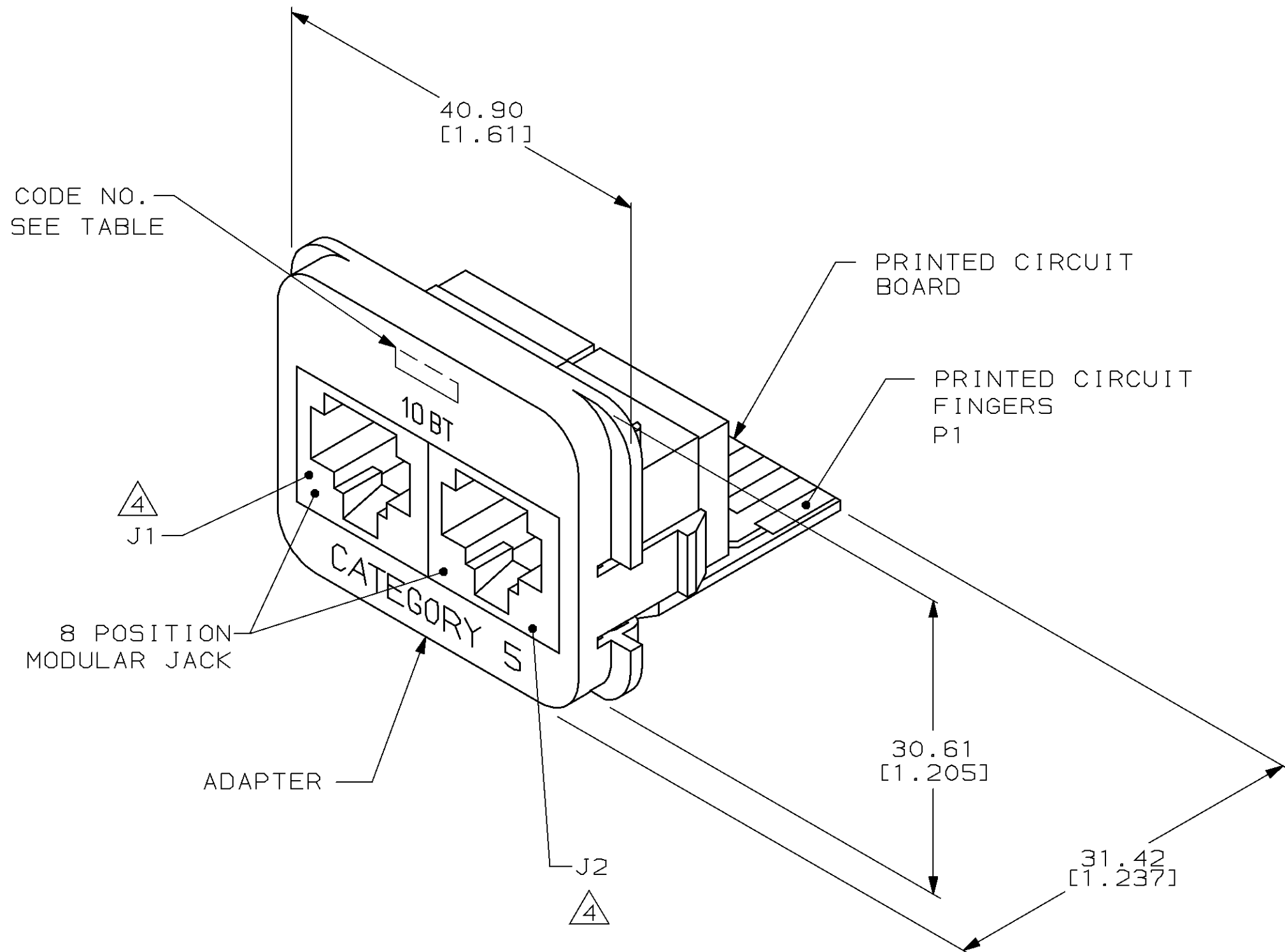
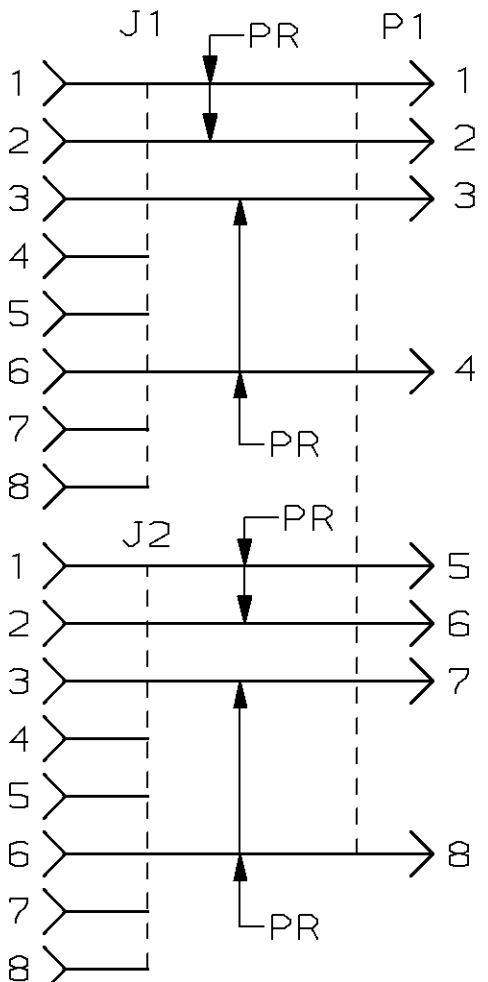


LOC	DIST	P	F	ZONE	LTR	REVISIONS	DATE	APPD
AA	28				B	ADD: -6; NPR C97-101 & EC 0502-0347-97	16JUN97	GG
								GB



- 1 DIMENSIONS ARE MAXIMUM.
- 2 MATERIAL: PRINTED CIRCUIT BOARD- LAMINATED PLASTIC SHEET, 1.57 [.062] THICK. ADAPTER-ABS MOLDING COMPOUND, SEE TABLE. PRINTED CIRCUIT FINGERS-0.51µm [.000020] MINIMUM GOLD PLATE OVER 1.27µm [.000050] MINIMUM NICKEL PLATE.
- 3. THIS INSERT IS DESIGNED TO MATE WITH AMP INC. EDGE CONNECTOR KIT AND WALLBOX KITS.
- 4 THIS INTERCONNECT MEETS THE REQUIREMENTS OF IEC 603-7.



ELECTRICAL SCHEMATIC

THIS DRAWING IS A CONTROLLED DOCUMENT FOR AMP INCORPORATED. IT IS SUBJECT TO CHANGE AND THE CONTROLLING ENGINEERING ORGANIZATION SHOULD BE CONTACTED FOR THE LATEST REVISION.

BLACK	280-6	IVORY	557280-6
BLACK	280-5	WHITE	557280-5
BLACK	280-4	NEMA GRAY	557280-4
WHITE	280-3	BLACK	557280-3
BLACK	280-1	LIGHT ALMOND	557280-1
MARKINGS COLOR	CODE NO.	ADAPTER COLOR	PART NO
DR 5-10-93 C.YATES	AMP Incorporated Harrisburg, PA 17105-3608		
CHK 5-13-93 C.WHITT			
APPD 5-17-93 J.R.SCHLUNZ	NAME		
APPD 5-17-93 B.YARBORO	INSERT ASSEMBLY, DUAL, RJ45, 10BT, CATEGORY 5, AMP COMMUNICATION OUTLET		
PRODUCT SPEC	SIZE	CAGE CODE	DRAWING NO
	©	00779	©=557280
FINISH	APPLICATION SPEC	SCALE	SHEET
		2:1	1 OF 1
WEIGHT			