

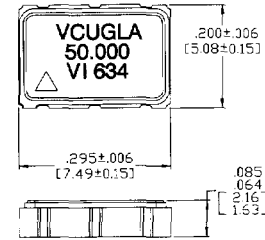
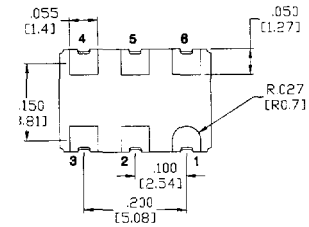
High Volume Voltage Controlled Crystal Oscillators

V-Type



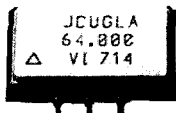
Features

- Ultra small 7.49mm x 5.05 x 1.80mm package
- Advanced custom ASIC technology
- VCXO with Switchable TTL/CMOS Output
- Robust 6-pin Leadless Ceramic Chip Carrier
- Absolute Pull Range Performance beyond 100 ppm
- Available with Output Frequencies to 65 MHz
- Switchable Tri-State Output
- Phase Jitter Performance Better than 20 ps
- EIA Compatible Tape and Reel Packaging Available
- Compatible with Common Pick and Place Equipment



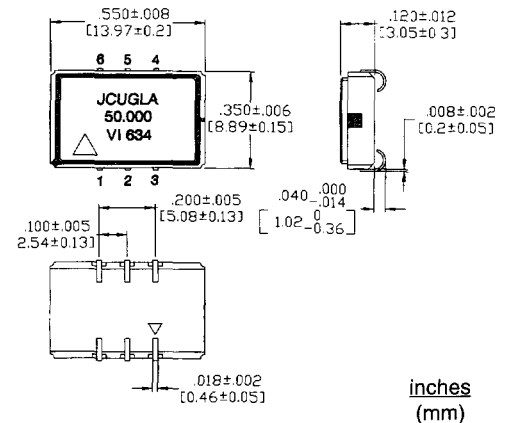
inches
(mm)

J-Type



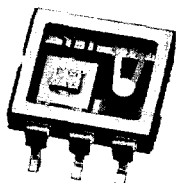
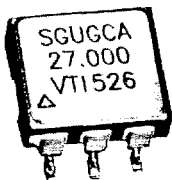
Features

- Industry standard 6 pin J-lead ceramic SMD
- Small 14mm x 9mm package
- Advanced custom ASIC technology
- Absolute pull range performance beyond 100ppm
- Available output frequencies to 155.52 Mhz
- 3.3 volt or 5.0 volt input
- CMOS or TTL output with tri-state
- Low phase noise versions available
- Commercial or industrial temperature range
- EIA compatible tape and reel packaging



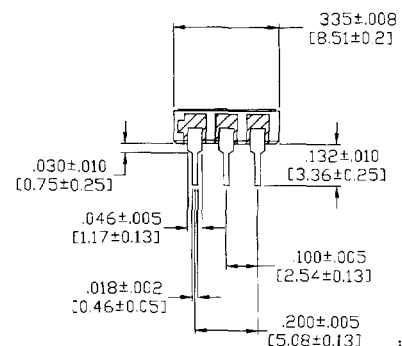
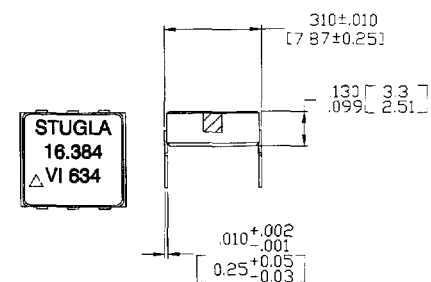
inches
(mm)

S-Type



Features

- Advanced custom ASIC technology
- Surface mountable
- Small, 6-pin DIP, J-Lead Compatible
- Choice of lead configurations
- Machine insertable
- Stability to 20 ppm
- Frequencies to 52 MHz
- TTL or CMOS selectable
- 3-state output
- Phase jitter <20 ps
- Choice of temperature ranges
- High reliability
- Tape and reel packaging



inches
(mm)

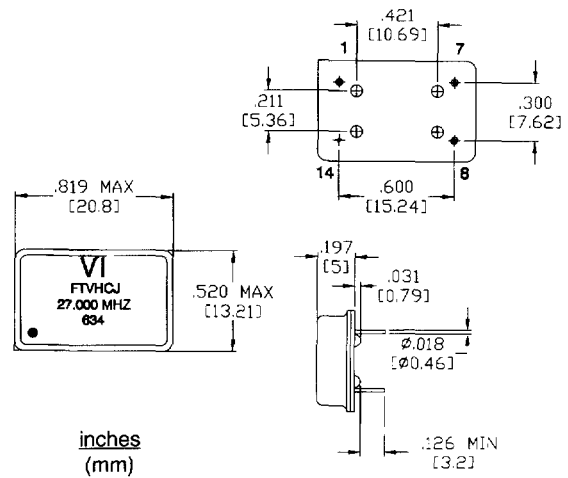
High Volume Voltage Controlled Crystal Oscillators

FTV-Type

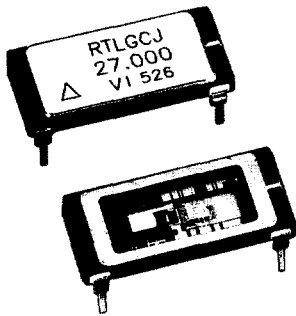


Features

- Industry Standard Pinout
- TTL or CMOS
- Choice of Temperature Range
- 14 pin DIP
- Hermetically Sealed Metal Package

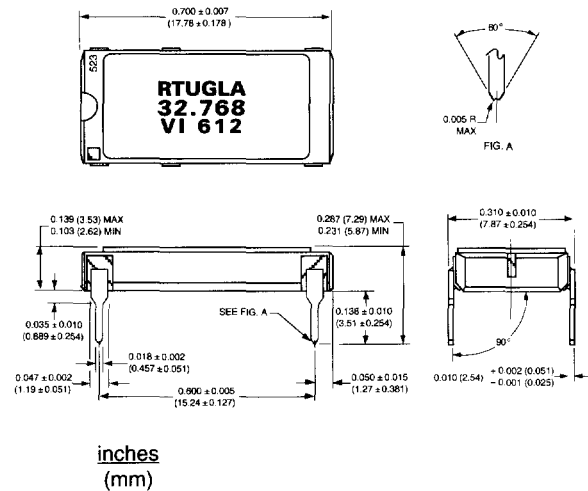


R-Type



Features

- VCXO or Fixed-Frequency
- Standard 14-pin DIP footprint
- Laser stamping
- Machine insertable
- Frequencies to 52 MHz
- TTL or CMOS
- Tri-state output
- Phase jitter <20 ps
- Choice of temperature ranges
- High reliability
- Stability to 20 ppm



SPECIFICATIONS

Technology	Quartz stabilized
Frequency Range	1 to 155.52 MHz
Pullability	±50 to ±200 ppm
Stability	±20, ±30 ppm 0/70, -40/85
Duty Cycle	±5%
Output	TTL or CMOS
Temperature Range	0°C to 70°C, -40°C to 85°C
Tri-state	J, V & S Types