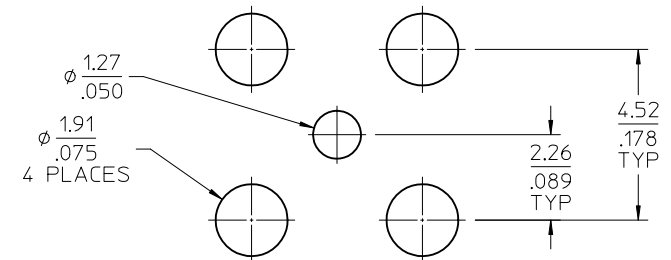
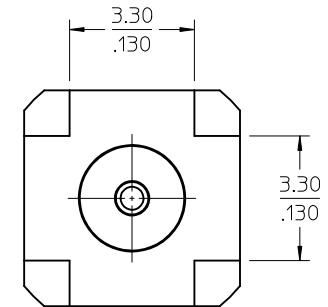
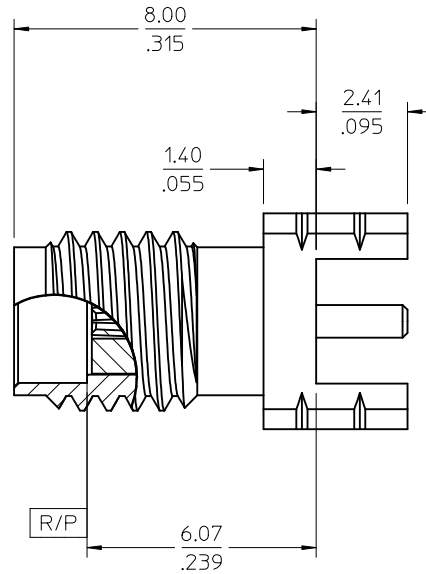
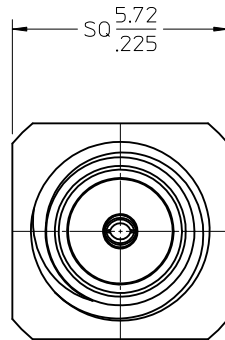
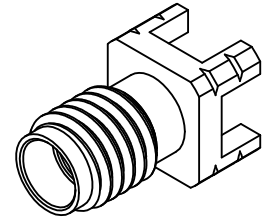


MATERIALS AND FINISHES

BODY: BRASS  
PLATED GOLD

INSULATOR: TEFLON

CONTACT: BERYLLIUM COPPER  
PLATED GOLD



PCB LAYOUT

PART # 73266-0010

MIL-STD-348A, FIG. 319.2	INTERFACE
SPECIFICATION	DESCRIPTION

CHG: 8.00 WAS 9.53  
1.40 WAS 1.27  
2.41 WAS 3.94  
4.52 WAS 5.08  
2.26 WAS 2.54  
Ø1.91 WAS Ø1.59  
REMOVED 102 SQ.  
5.08 AND 2.54  
ADDED 3.30  
ADDED GROOVES  
EC NO: URF2011-0638 2011/04/28  
DRAWN: DRWINSSHAH  
CHKD:  
APPR: JWIENER 2011/05/02

QUALITY SYMBOLS  
▽=0  
▽=0

GENERAL TOLERANCES (UNLESS SPECIFIED)

	mm	INCH
4 PLACES	± .010	± .0004
3 PLACES	± .015	± .0006
2 PLACES	± .020	± .0008
1 PLACE	± .030	± .0012

ANGULAR ± 2°

DRAFT WHERE APPLICABLE  
MUST REMAIN  
WITHIN DIMENSIONS

DIMENSION STYLE  
MM/IN

DRAWN BY	DATE
AROBERTSON	2011/01/17
CHECKED BY	DATE
SSS	2011/01/17
APPROVED BY	DATE
JWIENER	2011/02/03

MATERIAL NO.  
**732600010**

SIZE  
C

SCALE  
DESIGN UNITS  
INCH

THIRD ANGLE PROJECTION

TITLE  
**SSMA JACK PCB VERTICAL  
THRU HOLE 50 OHM  
SSMA-J/PCB, EWR-4582**

**MOLEX INCORPORATED**

DOCUMENT NO.  
**SD-73260-001**

SHEET NO.  
**1 OF 1**

THIS DRAWING CONTAINS INFORMATION THAT IS PROPRIETARY TO MOLEX INCORPORATED AND SHOULD NOT BE USED WITHOUT WRITTEN PERMISSION