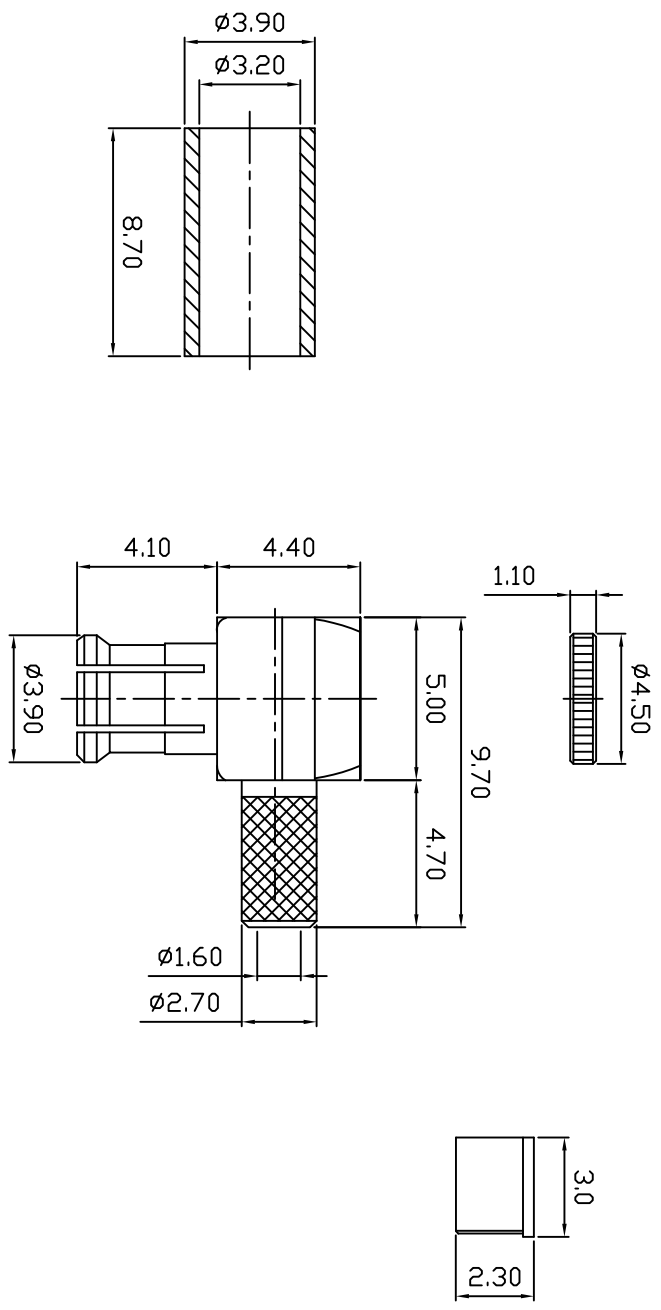


Rev	AWO #	Description	Date	Appr
-		RELEASED	10/6/06	

APPROVED: \_\_\_\_\_  
 DATE: \_\_\_\_\_ TITLE: \_\_\_\_\_



NO	Description	Qty	Material	Finish
6	CAP	1	BRASS	GOLD
5	FERRULE	1	BRASS	GOLD
4	DIELECTRIC	1	TEFLON	NONE
3	PIN	1	PHOS BRONZE	GOLD
2	BODY	1	BERYLLIUM	GOLD
1	BODY	1	BRASS	GOLD

UNLESS OTHERWISE SPECIFIED  
 ALL DIMENSIONS ARE INCHES [MM]  
 TOLERANCES: EXCEPT AS NOTED  
 INCHES HOLES  
 .X ± .10 Ø.X ± .10  
 .XX ± .020 Ø.XXX ± .015  
 .XXX ± .015 Ø.XXX ± .010

APPROVALS	DATE
DRAWN SS	10/06/06
CHECKED	
APPROVED	

**ADAM TECH**  
 909 Rahway Avenue, Union, NJ 07083  
 Phone: 908-687-5000 Fax: 908-687-5710

TITLE: MCX MALE R/A, CRIMP, RG179

SIZE	PART NO.	REV.
X	RF11-11-T-03-75-G	

SCALE: NTS SHEET 1 OF 1

**ELECTRICAL:**  
 Frequency range: 0-4 GHz  
 Voltage rating: 500 Volts AC  
 VSWR: 1.2 max 0-2 GHz  
 Impedance: 75 OHMS  
 Environmental:  
 Lead free, RoHS compliant.



6 5 4 3 2 1