

REV.	DESCRIPTION	DRAWN/DATE	CHECK/DATE	APPROVED/DATE
A	NEW RELEASE PER ECR-00522	Stanly 09/08/00*	MAX 09/26/00*	J.CHEN 09/26/00*

GENERAL TOLERANCE	ANGLE TOLERANCE	DRAWN	DATE
X, ±0.30	X, ±3.0°	Stanly	09/08/00*
.X ±0.25	.X ±2.0°	DESIGN	DATE
.XX ±0.13	.XX ±1.0°	MAX	04/20/00*
.XXX ±0.05		CHECKED	DATE
		MAX	09/26/00*
MATL SEE NOTES		APPROVED	DATE
FINISH SEE NOTES		J.CHEN	09/26/00*
SCALE 8 : 1	UNIT mm		
SHEET 1 OF 2			

**ACON**  
ADVANCED-CONNECTEK INC.

TITLE: MINICINN.(MINI USB)  
MINI-B RECEP. R/A SMT TYPE  
(CUSTOMER DRAWING)

SERIES: MNC20 SERIES      SIZE: A3  
DRAWING NO.: C-MNC20-00-DD      REV: A

1 2 3 4

A

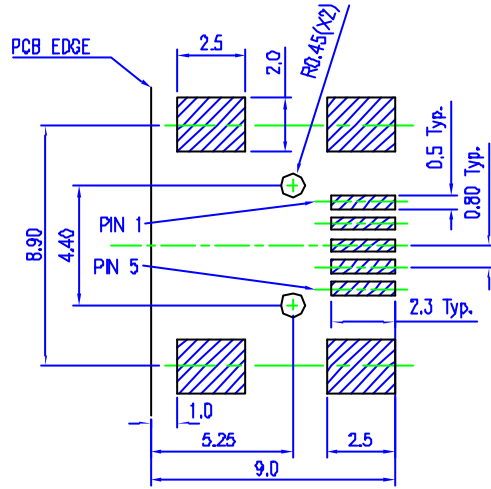
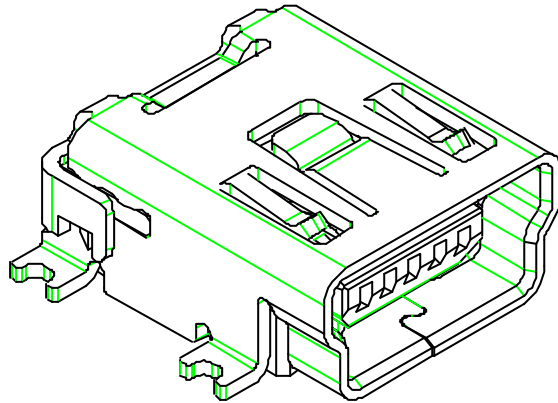


FIGURE A : Printed Circuit Board (PCB) Layout(SCALE 5 : 1)

B

C

D



SCALE 8 : 1

1.0. OTHERS :

1.1. PRODUCT SPECIFICATION : CSP-MNC10-00-00

1.2. RECOMMENDED PC BOARD THICKNESS 0.80mm OF 1.57mm

1.4. RECOMMENDED PC BOARD MOUNTING DIMMENSION : REFER FIGURE A

TABLE A : PART NUMBERING CODE

MNC20 - 5 \* \* \* 1 \*  
 ① ② ③ ④ ⑤ ⑥ ⑦

- ① PRODUCT:  
MNC20: MINICONN.(MINI USB), MINI-B,  
RECEP. , R/A, SMT TYPE
- ② POSITIONS:  
5: 5 POSITIONS
- ③ COLOR OF INSULATOR:  
K: BLACK
- ④ CONTACT PLATING:  
5: AU 30u"
- ⑤ SHELL PLATING:  
L: HALF-BRIGHT TIN W/O LOGO  
P: HALF-BRIGHT TIN WITH "ACON" LOGO  
Q: REFER TO DRAWING NO. : C-MNC20-01-00
- ⑥ MATERIAL OF HOUSING :  
1 : PA-BT
- ⑦ PACKAGE :  
0 : TAPE & REEL  
1 : TRAY

3	CONTACT	5	COPPER ALLOY/SELECTIVE GOLD PLATED ON MATING AREA (REFER TO TABLE A)	
2	HOUSING	1	HIGH TEMPERATURE THERMOPLASTIC, GLASS FILLED, 240°C, UL 94V-0 RATED	
1	SHELL	1	COPPER ALLOY/HALF-BRIGHT TIN PLATED OVER COPPER	
ITEM	PART NAME	QTY/EA	MATERIAL/FINISH	NOTE
GENERAL TOLERANCE		DRAWN	DATE	
X	±0.38	Stanly	09/08/00*	
.XX	±0.25	DESIGN	DATE	
.XXX	±0.13	MAX	04/20/00*	
ANGLE TOLERANCE		CHECKED	DATE	<b>TITLE</b> MINICONN.(MINI USB) MINI-B RECEP. R/A SMT TYPE (CUSTOMER DRAWING)
X°	±3.0°	MAX	09/26/00*	
.XX°	±2.0°	APPROVED	DATE	<b>SERIES</b> MNC20 SERIES <b>SIZE</b> A3
.XXX°	±1.0°	J.CHEN	09/26/00*	
MATERIAL SEE NOTES		DRAWING NO. C-MNC20-00-00		<b>REV.</b> A
FINISH SEE NOTES		SHEET 2 OF 2		
SCALE 8 : 1	UNIT mm			

1 2 3 4