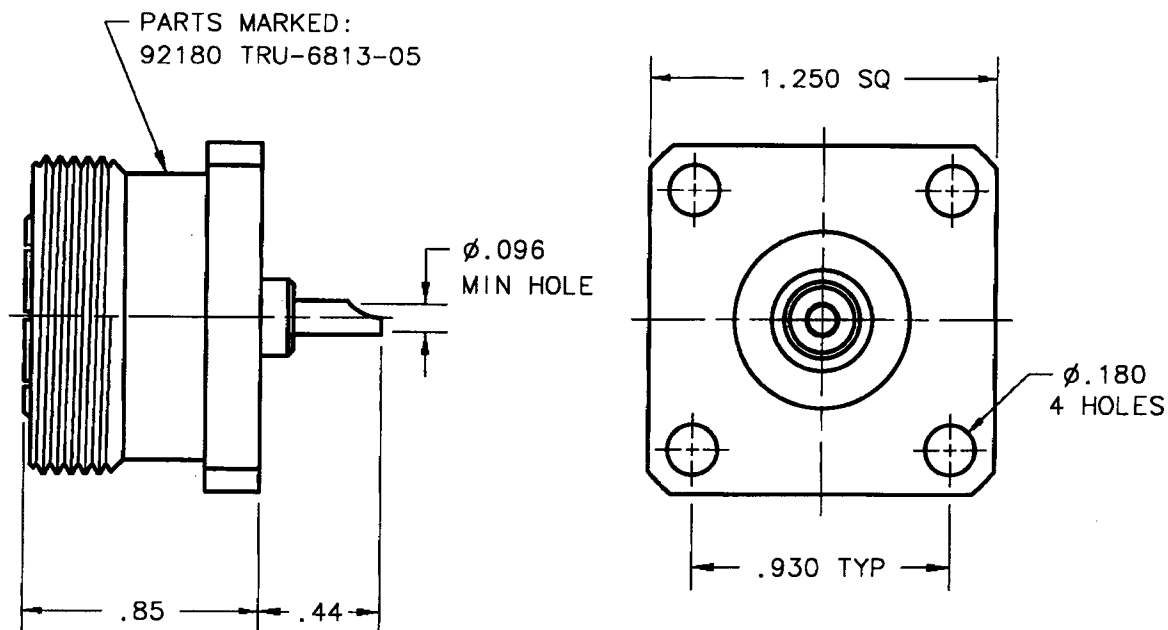


THIS DOCUMENT AND INFORMATION CONTAINED HEREIN ARE THE PROPERTY OF TRU-CONNECTOR CORP. REPRODUCTION OR USE THEREOF, IN WHOLE OR PART, IS PROHIBITED WITHOUT THE WRITTEN CONSENT OF TRU-CONNECTOR CORPORATION.

DWG. NO.  
TRU-6813-05SNT



MATERIAL

INSULATOR - TEFLON  
FEMALE CONTACT - BERYLLIUM COPPER  
OTHER METAL PARTS - BRASS

FINISH

CONTACT - SILVER PLATED  
OTHER METAL PARTS - NICKEL PLATED



CAGE-92180

TRU-CONNECTOR CORPORATION

245 LYNNFIELD STREET  
PEABODY, MASSACHUSETTS 01960

phone: 978-532-0775

fax: 978-531-6993

E-mail: trusales@tru-con.com

DESCRIPTION

CONNECTOR, COAXIAL, RF  
SERIES: 7-16(f)  
RECEPTACLE, PANEL

DRAWN BY WWW	DATE 4/14/00	SCALE 1.5X	CHKD. BY <i>Kash</i>	FILE AS TRU-6813-05SNT
-----------------	-----------------	---------------	-------------------------	---------------------------

REFERENCE	THIRD ANGLE PROJECTION 	DWG. NO. TRU-6813-05SNT
-----------	----------------------------	----------------------------