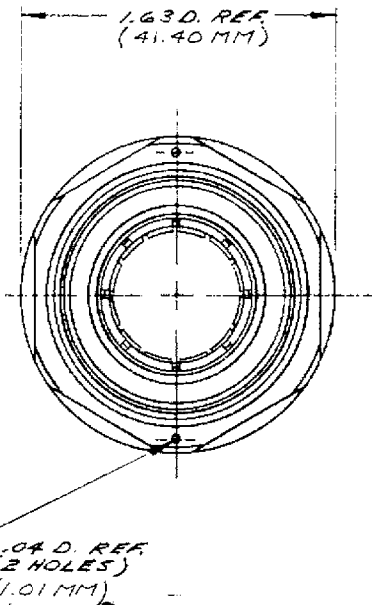
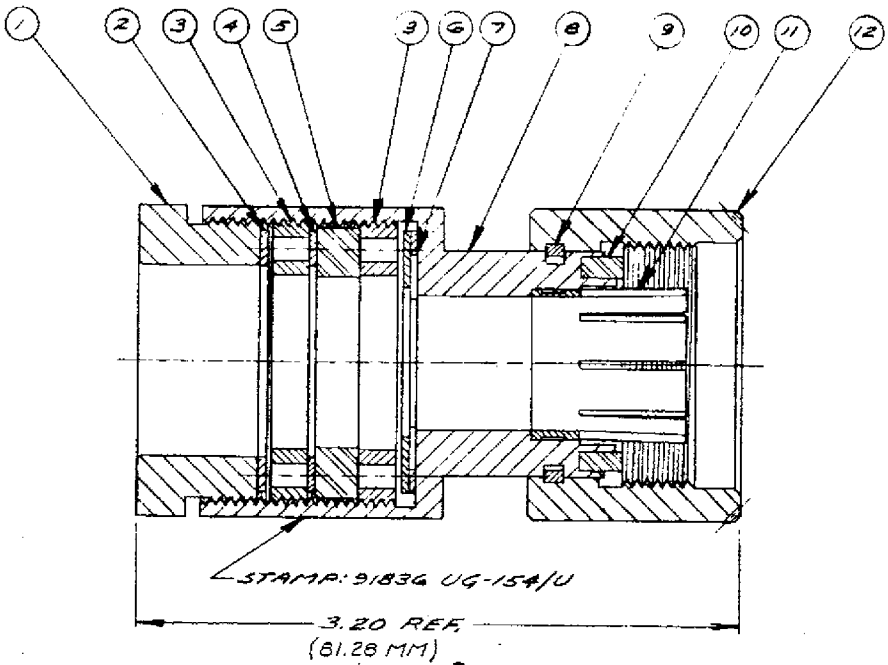


DASH NO.	DESCRIPTION	MADE FROM
----------	-------------	-----------



UG-154/U C/41-50	REVISIONS	
	ISSUE	CHANGES
8	CN 1A435A MLB 17 APR 75	
S-D		

KV-51-02	
USED ON:	
REF: MS 91604	
FINISH:	
SPEC:	
MATERIAL:	
SPEC:	
LC PLUG	
DRAWN MJB	DATE 17 APR 75
APPR. JB	DATE 18 APR 75
KINGS ELECTRONICS 40 MARLBOROUGH ROAD TUCKAHOE, N. Y. 10707	

ITEM	REQ'D	DESCRIPTION	PART NO.
12	1	COUPLING NUT	
11	1	OUTER CONTACT	
10	1	GASKET	
9	1	C-RING	
8	1	BODY	
7	1	CLAMP	154-12
6	1	CONTACT WASHER	154-6
5	1	GASKET	154-16
4	1	WASHER	154-9
3	2	SPANNER NUT	154-7
2	1	ARMOR WASHER	154-5
1	1	CLAMP NUT	154-3

UNLESS OTHERWISE SPECIFIED:

- | | |
|--|---|
| <p>1. TOLERANCES: FRACTIONS & 2 PLACE DECIMALS ± .010
3 PLACE DECIMALS ± .004
T. I. R. CONCENTRICITY OF ANY 2 DIAMETERS MAY NOT EXCEED HALF THE SUM OF THEIR TOLERANCES.</p> | <p>2. REMOVE ALL BURRS. BREAK SHARP EDGES .005 MAX.
3. NO FILLETS PERMITTED.
4. SURFACE ROUGHNESS 63 MICROINCHES RMS MAX.
5. ALL DIMENSIONS PRIOR TO PLATING.</p> |
|--|---|

UG-154/U S-D