

HUBER+SUHNER® DATA SHEET

3-way power splitter: 5502.41.0027

Rev.: D



reactive Splitter

Description

3-Way Reactive Power Splitter for IDEN, AMPS, GSM, CDMA, PCS, AWS_1 Band, AWS-2 Band, UMTS, TD-SCDMA and WIFI 2.4 GHz Applications



Product Configuration

Technical Data

Electrical Data

	Signal Band 1
Frequency (GHz)	0.8 - 2.5
Return Loss input port	20 dB
Return Loss output port	dB
Splitter Loss	4.77121254719662 dB
Insertion Loss	5.07121254719662 dB
Isolation betw. output ports	9.5 dB
Ampl. tra. betw. outp. ports	0.3 dB
Max. Composite power	500 W
Peak envelope power	500 W

	Output 1	Output 2	Output 3
Connector Type	7/16	7/16	7/16
Gender	jack (female)	jack (female)	jack (female)
Char. impedance	50 Ω		

Mechanical Data

Dimensions (mm)	249.5 x 72.2 x 36.1 (Height x Width x Depth)
Weight	0.95 kg

Environmental Data

Environmental conditions	outdoor
Operation temperature (°C)	-40 to 85
Storage temperature (°C)	to
IP rating	IP 65
RoHS 2002/95/EC	compliant
Lead-free soldered	not soldered
WEEE 2002/96/EC	no special marking needed
ELV 2000/53/EC	compliant

Related Products

9075.99.0001 , mounting device for power-splitters
9075.99.0002 , mounting device for power-splitters

Related Documents

Mounting instruction
Painting instruction
Security instruction
Outline drawing1 DOU-00082927.1

HUBER+SUHNER is certified according to ISO 9001 and ISO 14001

WAIVER!
It is exclusively in written agreements that we provide our customers with warrants and representations as to the technical specifications and/or the fitness for any particular purpose. The facts and figures contained herein are carefully compiled to the best of our knowledge, but they are intended for general informational purposes only.



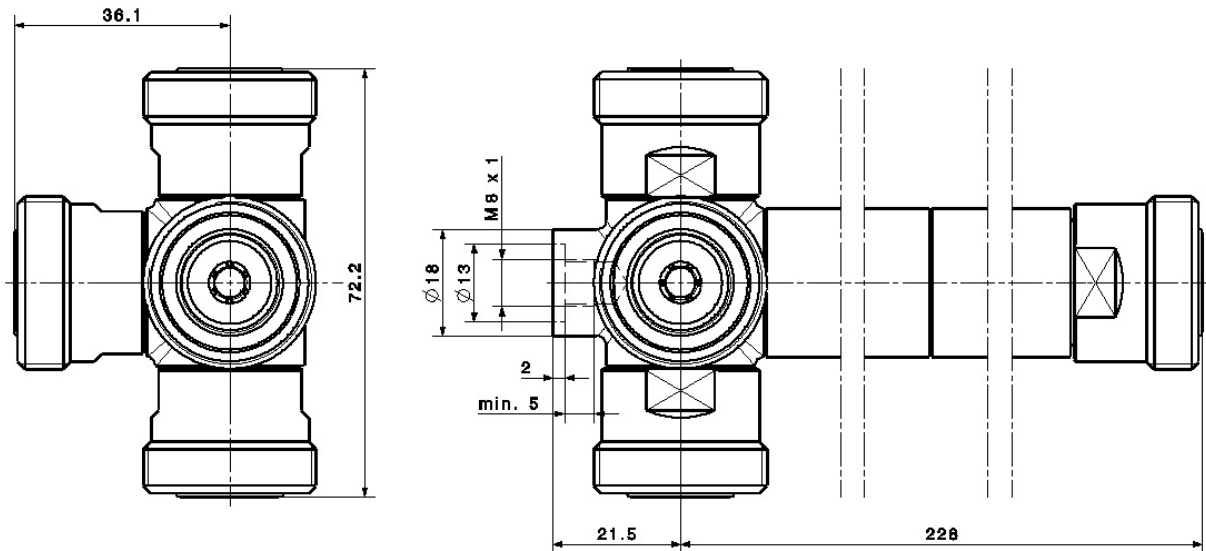
HUBER+SUHNER AG
RF Industrial
9100 Herisau, Switzerland
Phone +41 (0)71 353 41 11
Fax +41 (0)71 353 45 90
www.hubersuhner.com

HUBER+SUHNER – Excellence in Connectivity Solutions

HUBER+SUHNER® DATA SHEET

3-way power splitter: 5502.41.0027

Rev.: D



HUBER+SUHNER is certified according to ISO 9001 and ISO 14001

WAIVER!

It is exclusively in written agreements that we provide our customers with warrants and representations as to the technical specifications and/or the fitness for any particular purpose. The facts and figures contained herein are carefully compiled to the best of our knowledge, but they are intended for general informational purposes only.



HUBER+SUHNER AG
RF Industrial
9100 Herisau, Switzerland
Phone +41 (0)71 353 41 11
Fax +41 (0)71 353 45 90
www.hubersuhner.com

HUBER+SUHNER – Excellence in Connectivity Solutions