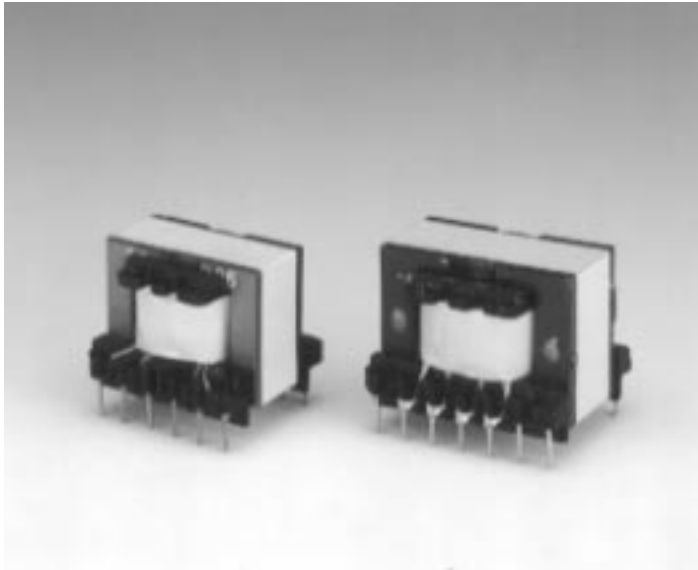


•Transformer•

# Triple Insulated Wire type



◆Performance

Size	Item	Output (W) F=100KMZ	PINS
	SDT28	80	6×6
	SDT33	130	7×7
	SDT38	180	8×8
	SDT42	200	9×9

◆Features

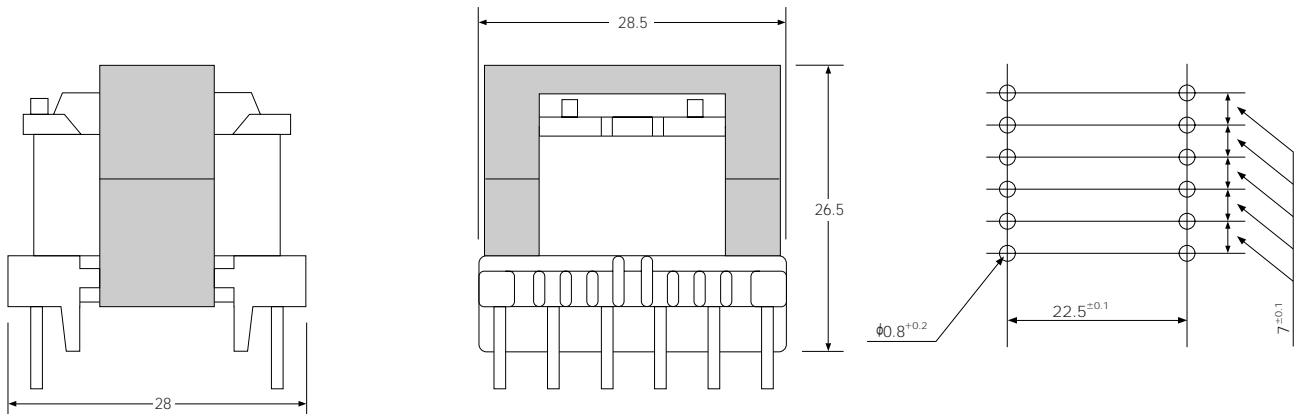
- Triple insulated wire is used
- Small
- High efficiency
- Without barrier

◆Applications

- OA, SMAPS

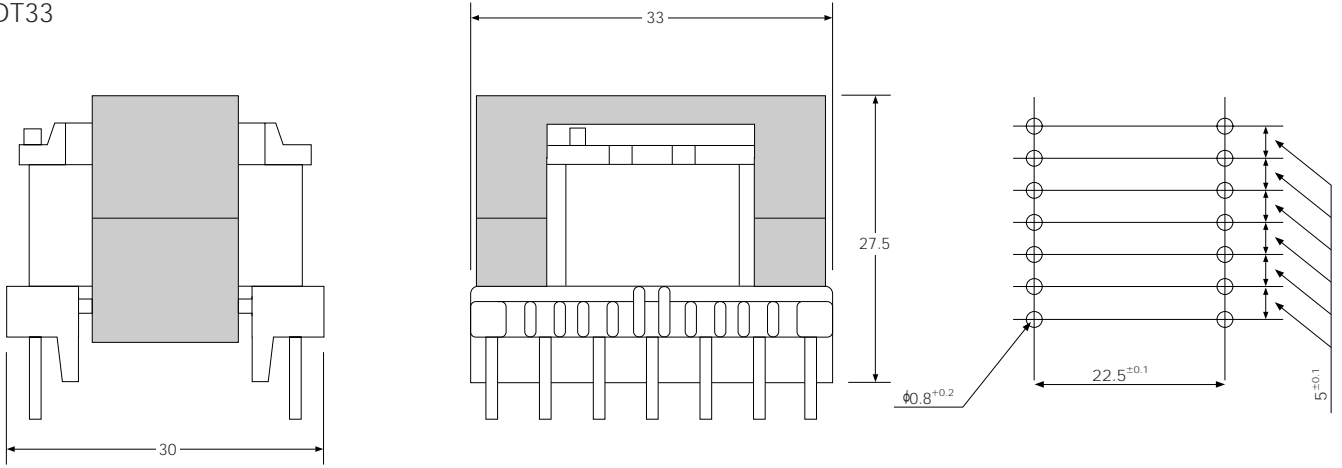
◆Dimensions In mm (not to scale)

SDT28

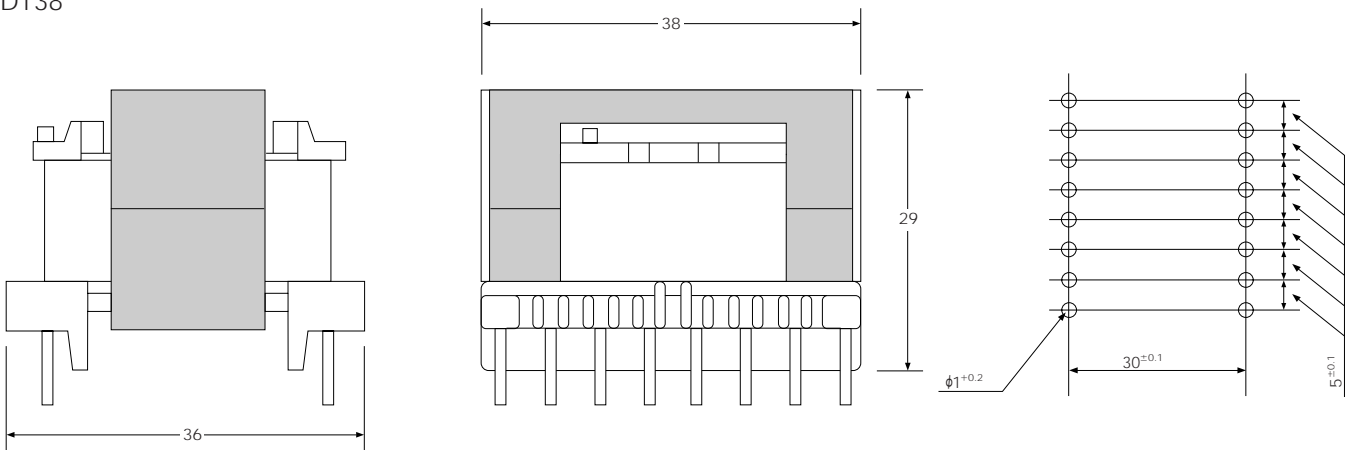


◆ Dimensions In mm (not to scale)

SDT33



SDT38



SDT42

