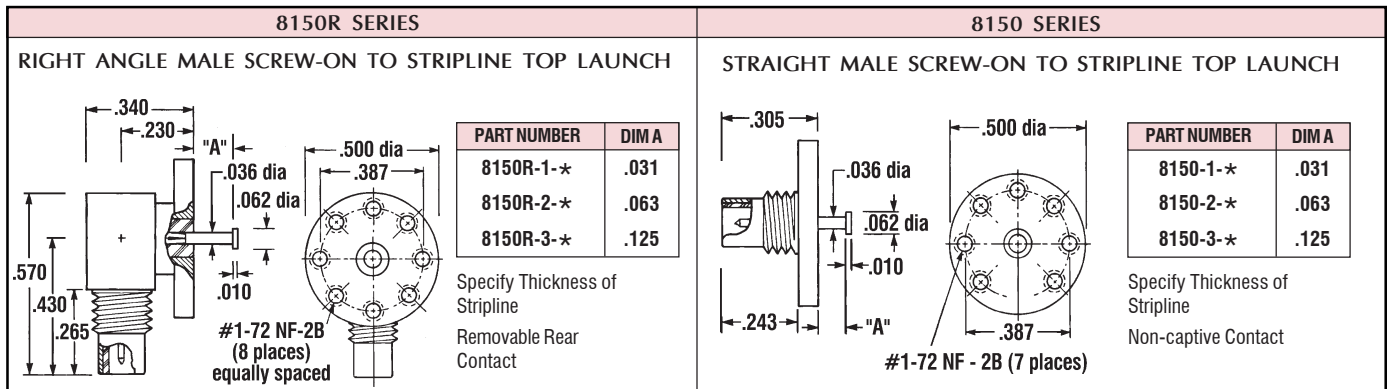
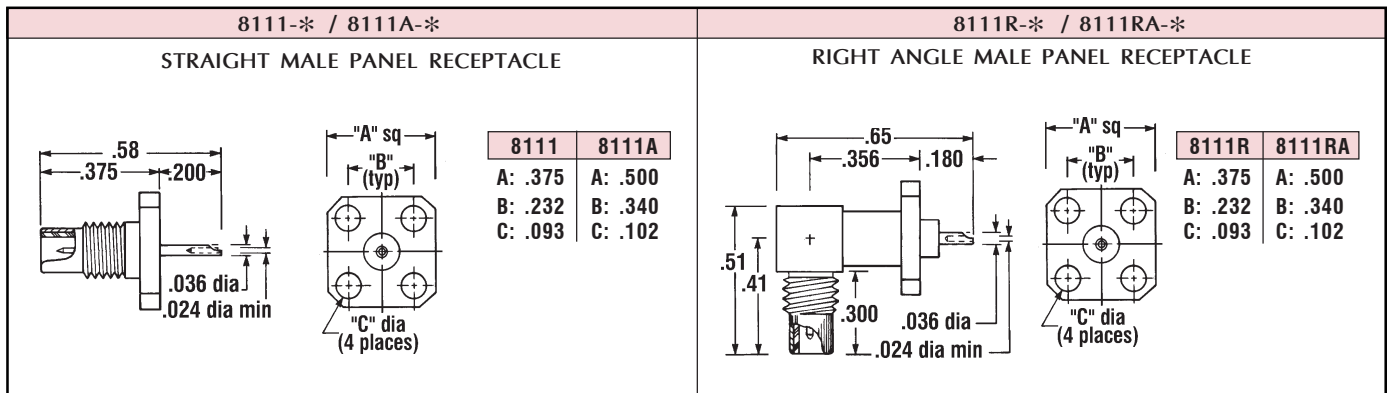
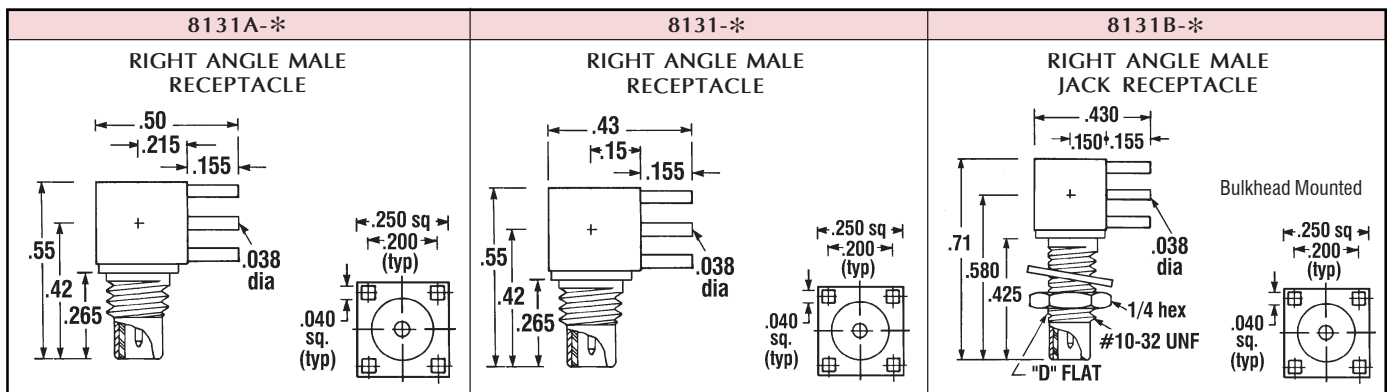
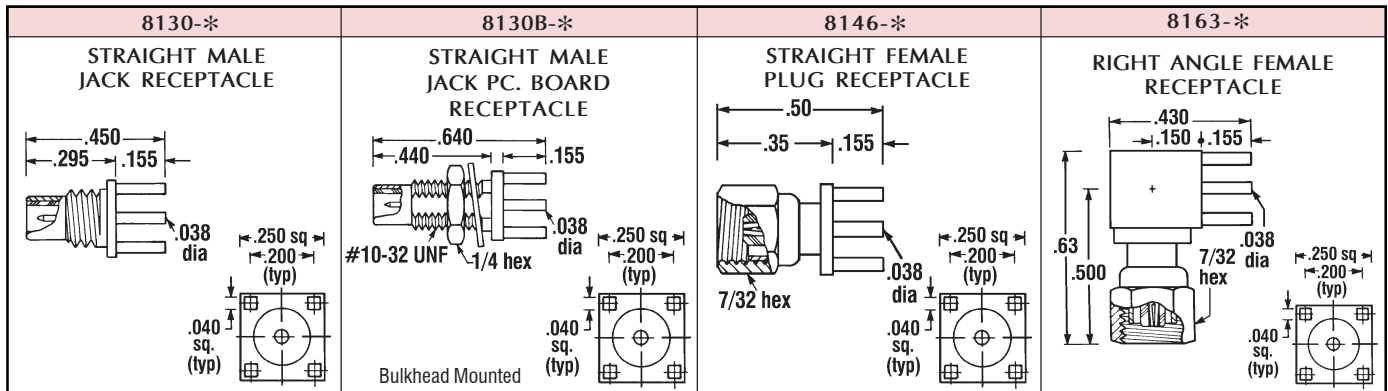


SMC CONNECTORS FOR FLEXIBLE & SEMI-RIGID CABLE, AND BULKHEAD RECEPTACLES



| | | | |
|---|---|--|--|
| <p>8123-XX-*</p> <p>STRAIGHT FEMALE CABLE PLUG</p> <p>Clamp for Flexible Cable Solder/Clamp for Cable Groups 30 & 31</p> | <p>8323-XX-*</p> <p>STRAIGHT FEMALE CABLE PLUG</p> <p>Crimp Type</p> | <p>8126-XX-*</p> <p>RIGHT ANGLE FEMALE CABLE PLUG</p> <p>Clamp for Flexible Cable Solder/Clamp for Cable Groups 30 & 31</p> | <p>8326-XX-*</p> <p>RIGHT ANGLE FEMALE CABLE PLUG</p> <p>Crimp Type</p> |
| <p>8122-XX-*</p> <p>STRAIGHT MALE CABLE JACK</p> <p>Clamp for Flexible Cable Solder/Clamp for Cable Groups 30 & 31</p> | <p>8322-XX-*</p> <p>STRAIGHT MALE CABLE JACK</p> <p>Crimp Type</p> | <p>8162-XX-*</p> <p>RIGHT ANGLE MALE CABLE JACK</p> <p>Clamp for Flexible Cable Solder/Clamp for Cable Groups 30 & 31</p> | <p>8362-XX-*</p> <p>RIGHT ANGLE MALE CABLE JACK</p> <p>Crimp Type</p> |
| <p>8124-XX-*</p> <p>STRAIGHT MALE BULKHEAD CABLE JACK</p> <p>Clamp for Flexible Cable Solder/Clamp for Cable Groups 30 & 31</p> | <p>8324-XX-*</p> <p>STRAIGHT MALE BULKHEAD CABLE JACK</p> <p>Crimp Type</p> | <p>8127-XX-*</p> <p>RIGHT ANGLE MALE BULKHEAD CABLE JACK</p> <p>Clamp for Flexible Cable Solder/Clamp for Cable Groups 30 & 31</p> | <p>8327-XX-*</p> <p>RIGHT ANGLE MALE BULKHEAD CABLE JACK</p> <p>Crimp Type</p> |
| <p>8125-*</p> <p>STRAIGHT MALE CHASSIS RECEPTACLE</p> <p>Nut in Front of Panel</p> | <p>8140-*</p> <p>STRAIGHT MALE CHASSIS RECEPTACLE</p> <p>Nut Behind Panel</p> | <p>8133-*</p> <p>RIGHT ANGLE MALE CHASSIS RECEPTACLE</p> | <p>8138-*</p> <p>STRAIGHT FEMALE CHASSIS RECEPTACLE</p> |

XX - * - SEE NOTE ON SPECIFICATION SHEET FOR CABLE GROUPS, MATERIAL, FINISH CODES AND MOUNTING HOLE SIZE



XX SEE NOTE ON SPECIFICATION SHEET FOR CABLE GROUPS, MATERIAL, FINISH CODES AND MOUNTING HOLE SIZE; PRE-TINNED LEGS AND CONTACTS AVAILABLE BY ADDING SUFFIX "P" TO PART NUMBER (i.e., 8130P-1)

* 1 indicates gold plating, -7 indicates nickel plating

CABLE TERMINATIONS, FEEDTHROUGHS, RESISTIVE TERMINATIONS & INTRA SERIES ADAPTERS



| | | | |
|---|---|--|---|
| <p>8241-XX-*</p> <p>STRAIGHT CABLE BULKHEAD TERMINATION</p> <p>Clamp for Flexible Cable Solder/Clamp for Cable Groups 30 & 31</p> | <p>8341-XX-*</p> <p>STRAIGHT CABLE BULKHEAD TERMINATION</p> <p>Crimp Type</p> | <p>8005F-51-*</p> <p>FEMALE RESISTIVE TERMINATION</p> <p>(51 Ohm, 0.5W, 5%)</p> | <p>8005M-51-*</p> <p>MALE RESISTIVE TERMINATION</p> <p>(51 Ohm, 0.5W, 5%)</p> |
| <p>8142-XX-*</p> <p>STRAIGHT CABLE BULKHEAD FEEDTHROUGH</p> <p>Clamp for Flexible Cable Solder/Clamp for Cable Groups 30 & 31</p> | <p>8461-XX-*</p> <p>STRAIGHT CABLE BULKHEAD FEEDTHROUGH</p> <p>Crimp Type</p> | <p>8165-XX-*</p> <p>RIGHT ANGLE CABLE BULKHEAD TERMINATION</p> <p>Clamp for Flexible Cable Solder/Clamp for Cable Groups 30 & 31</p> | <p>8128-*</p> <p>MALE TO MALE TO MALE ADAPTER</p> <p>Available with Offset Bracket Upon Request</p> |
| <p>8134-*</p> <p>MALE TO MALE ADAPTER</p> | <p>8137-*</p> <p>FEMALE TO FEMALE ADAPTER</p> | <p>8143-*</p> <p>BULKHEAD MALE TO MALE ADAPTER</p> | <p>8129-*</p> <p>FEMALE TO FEMALE TO FEMALE ADAPTER</p> <p>Available with Offset Bracket Upon Request</p> |
| <p>8136-*</p> <p>MALE TO MALE TO FEMALE ADAPTER</p> <p>Available with Offset Bracket Upon Request</p> | <p>8153-*</p> <p>MALE TO FEMALE TO MALE ADAPTER</p> <p>Available with Offset Bracket Upon Request</p> | <p>8154-*</p> <p>FEMALE TO FEMALE TO MALE ADAPTER</p> <p>Available with Offset Bracket Upon Request</p> | <p>8155-*</p> <p>MALE TO FEMALE TO FEMALE ADAPTER</p> <p>Available with Offset Bracket Upon Request</p> |

XX SEE NOTE ON SPECIFICATION SHEET FOR CABLE GROUPS, MATERIAL, FINISH CODES AND MOUNTING HOLE SIZE.

* 1 indicates gold plating, -7 indicates nickel plating

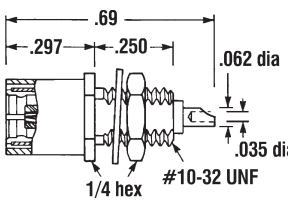
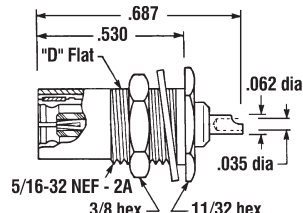
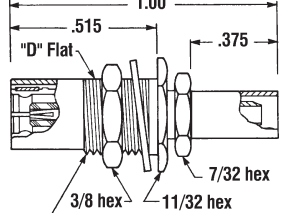
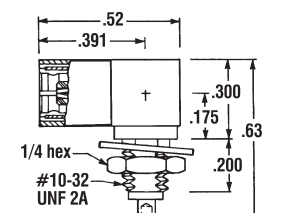
| | | | |
|--|--|--|--|
| <p>6223-XX-*</p> <p>STRAIGHT FEMALE CABLE PLUG</p> <p>Clamp for Flexible Cable Solder/Clamp for Cable Groups 30 & 31</p> | <p>6423-XX-*</p> <p>STRAIGHT FEMALE CABLE PLUG</p> <p>Crimp Type</p> | <p>6226-XX-*</p> <p>RIGHT ANGLE FEMALE CABLE PLUG</p> <p>Clamp for Flexible Cable Solder/Clamp for Cable Groups 30 & 31</p> | <p>6426-XX-*</p> <p>RIGHT ANGLE FEMALE CABLE PLUG</p> <p>Crimp Type</p> |
| <p>6222-XX-*</p> <p>STRAIGHT MALE CABLE JACK</p> <p>Clamp for Flexible Cable Solder/Clamp for Cable Groups 30 & 31</p> | <p>6422-XX-*</p> <p>STRAIGHT MALE CABLE JACK</p> <p>Crimp Type</p> | <p>6262-XX-*</p> <p>RIGHT ANGLE MALE CABLE JACK</p> <p>Clamp for Flexible Cable Solder/Clamp for Cable Groups 30 & 31</p> | <p>6462-XX-*</p> <p>RIGHT ANGLE MALE CABLE JACK</p> <p>Crimp Type</p> |
| <p>6224-XX-*</p> <p>STRAIGHT MALE BULKHEAD CABLE</p> <p>Clamp for Flexible Cable Solder/Clamp for Cable Groups 30 & 31</p> | <p>6424-XX-*</p> <p>STRAIGHT MALE BULKHEAD CABLE JACK</p> <p>Crimp Type</p> | <p>6227-XX-*</p> <p>RIGHT ANGLE MALE BULKHEAD CABLE JACK</p> <p>Clamp for Flexible Cable Solder/Clamp for Cable Groups 30 & 31</p> | <p>6427-XX-*</p> <p>RIGHT ANGLE MALE BULKHEAD CABLE JACK</p> <p>Crimp Type</p> |
| <p>6225-*</p> <p>STRAIGHT MALE CHASSIS JACK RECEPTACLE</p> <p>Nut in Front of Panel</p> | <p>6240-*</p> <p>STRAIGHT MALE CHASSIS JACK RECEPTACLE</p> <p>Nut Behind Panel</p> | <p>6235-*</p> <p>RECESSED BULKHEAD MALE RECEPTACLE</p> | <p>6233-*</p> <p>RIGHT ANGLE MALE CHASSIS JACK RECEPTACLE</p> |

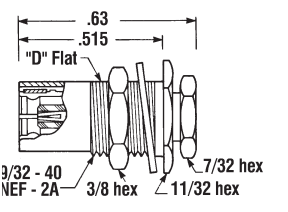
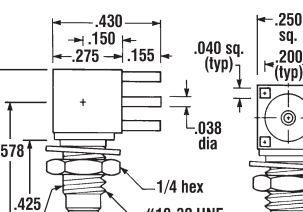
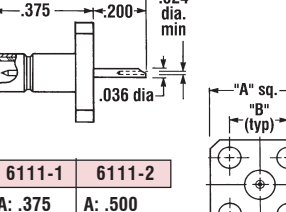
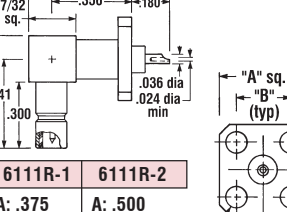
XX SEE NOTE ON SPECIFICATION SHEET FOR CABLE GROUPS, MATERIAL, FINISH CODES AND MOUNTING HOLE SIZE.

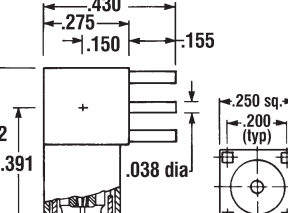
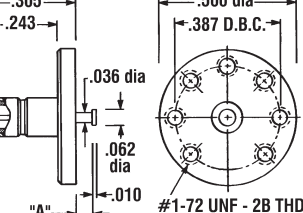
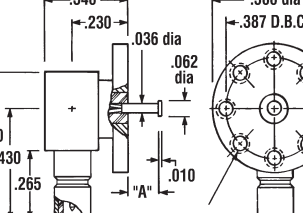
* 1 indicates gold plating -7 indicates nickel plating

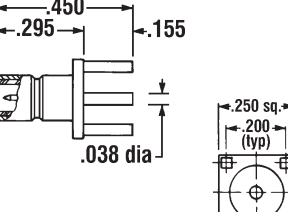
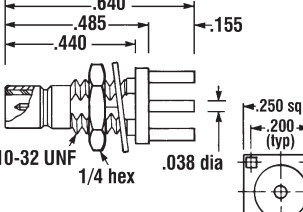
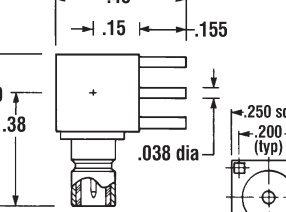
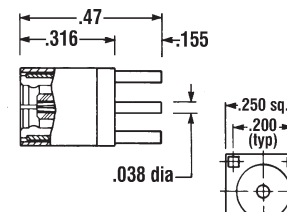
SMB BULKHEAD MOUNT, PANEL MOUNT, STRIPLINE & PRINTED CIRCUIT BOARD CONNECTORS



| | | | |
|--|---|---|--|
| <p>6238-*</p> <p>STRAIGHT FEMALE CHASSIS PLUG RECEPTACLE</p>  <p>.69 .297 .250 .062 dia .035 dia 1/4 hex #10-32 UNF</p> <p>Nut Behind Panel</p> | <p>6241-*</p> <p>BULKHEAD MOUNTED STRAIGHT FEMALE PLUG RECEPTACLE</p>  <p>.687 .530 "D" Flat .062 dia .035 dia 5/16-32 NEF - 2A 3/8 hex 11/32 hex</p> <p>Nut in Front of Panel</p> | <p>6429-XX-*</p> <p>BULKHEAD MOUNTED STRAIGHT FEMALE CABLE PLUG</p>  <p>1.00 .515 "D" Flat .375 3/8 hex 11/32 hex 7/32 hex 9/32 - 40 NEF - 2A</p> <p>Crimp Type</p> | <p>6126-*</p> <p>RIGHT ANGLE FEMALE BULKHEAD PLUG RECEPTACLE</p>  <p>.52 .391 .300 .175 .63 1/4 hex #10-32 UNF 2A .062 dia .035 dia</p> |
|--|---|---|--|

| | | | | | | | | | | | | | | | | | | | |
|--|---|--|---------------|---------------|---------|---------|---------|---------|---------|---------|---|----------------|----------------|---------|---------|---------|---------|---------|---------|
| <p>6229-XX-*</p> <p>BULKHEAD MOUNTED STRAIGHT FEMALE CABLE PLUG</p>  <p>.63 .515 "D" Flat 9/32 - 40 NEF - 2A 3/8 hex 11/32 hex</p> <p>Clamp for Flexible Cable Solder/Clamp for Cable Groups 30 & 31</p> | <p>6902-*</p> <p>BULKHEAD MOUNTED RIGHT ANGLE MALE JACK P.C. BOARD RECEPTACLE</p>  <p>.430 .150 .275 .155 .040 sq. (typ) .250 sq. (typ) .200 (typ) .038 dia 5.78 .70 .425 1/4 hex #10-32 UNF "D" flat</p> | <p>6111-1-*/ 6111-2-*</p> <p>STRAIGHT MALE PANEL RECEPTACLE</p>  <p>.58 .375 .200 .024 dia. min .036 dia.</p> <table border="1"> <tr> <td>6111-1</td> <td>6111-2</td> </tr> <tr> <td>A: .375</td> <td>A: .500</td> </tr> <tr> <td>B: .232</td> <td>B: .340</td> </tr> <tr> <td>C: .093</td> <td>C: .102</td> </tr> </table> <p>"A" sq. "B" (typ) "C" dia (4 places)</p> | 6111-1 | 6111-2 | A: .375 | A: .500 | B: .232 | B: .340 | C: .093 | C: .102 | <p>6111R-1-*/ 6111R-2-*</p> <p>RIGHT ANGLE MALE PANEL RECEPTACLE</p>  <p>.65 .356 .180 7/32 sq. .51 .41 .300 .036 dia .024 dia min "A" sq. "B" (typ) "C" dia (4 places)</p> <table border="1"> <tr> <td>6111R-1</td> <td>6111R-2</td> </tr> <tr> <td>A: .375</td> <td>A: .500</td> </tr> <tr> <td>B: .232</td> <td>B: .340</td> </tr> <tr> <td>C: .093</td> <td>C: .102</td> </tr> </table> | 6111R-1 | 6111R-2 | A: .375 | A: .500 | B: .232 | B: .340 | C: .093 | C: .102 |
| 6111-1 | 6111-2 | | | | | | | | | | | | | | | | | | |
| A: .375 | A: .500 | | | | | | | | | | | | | | | | | | |
| B: .232 | B: .340 | | | | | | | | | | | | | | | | | | |
| C: .093 | C: .102 | | | | | | | | | | | | | | | | | | |
| 6111R-1 | 6111R-2 | | | | | | | | | | | | | | | | | | |
| A: .375 | A: .500 | | | | | | | | | | | | | | | | | | |
| B: .232 | B: .340 | | | | | | | | | | | | | | | | | | |
| C: .093 | C: .102 | | | | | | | | | | | | | | | | | | |

| <p>6263-*</p> <p>RIGHT ANGLE FEMALE PLUG RECEPTACLE</p>  <p>.430 .275 .150 .155 .52 .391 .038 dia .250 sq. (typ) .200 (typ) .040 sq. (typ)</p> | <p>6250-X-*</p> <p>MALE JACK TO STRIPLINE - TOP LAUNCH</p>  <p>.305 .243 .036 dia .062 dia .010 "A" .500 dia .387 D.B.C. #1-72 UNF - 2B THD (7 places)</p> <table border="1"> <thead> <tr> <th>PART #</th> <th>DIM A</th> </tr> </thead> <tbody> <tr> <td>6250-1-*</td> <td>.031</td> </tr> <tr> <td>6250-2-*</td> <td>.063</td> </tr> <tr> <td>6250-3-*</td> <td>.125</td> </tr> </tbody> </table> <p>Specify Thickness of Stripline Non-captive Contact</p> | PART # | DIM A | 6250-1-* | .031 | 6250-2-* | .063 | 6250-3-* | .125 | <p>6250R-X-*</p> <p>RIGHT ANGLE MALE STRIPLINE - TOP LAUNCH</p>  <p>.340 .230 .036 dia .062 dia .010 "A" .500 dia .387 D.B.C. #1-72 UNF - 2B (8 places) Equally Spaced</p> <table border="1"> <thead> <tr> <th>PART #</th> <th>DIM A</th> </tr> </thead> <tbody> <tr> <td>6250R-1-*</td> <td>.031</td> </tr> <tr> <td>6250R-2-*</td> <td>.063</td> </tr> <tr> <td>6250R-3-*</td> <td>.125</td> </tr> </tbody> </table> <p>Specify Thickness of Stripline Removable Rear Contact</p> | PART # | DIM A | 6250R-1-* | .031 | 6250R-2-* | .063 | 6250R-3-* | .125 |
|---|--|--------|-------|----------|------|----------|------|----------|------|---|--------|-------|-----------|------|-----------|------|-----------|------|
| PART # | DIM A | | | | | | | | | | | | | | | | | |
| 6250-1-* | .031 | | | | | | | | | | | | | | | | | |
| 6250-2-* | .063 | | | | | | | | | | | | | | | | | |
| 6250-3-* | .125 | | | | | | | | | | | | | | | | | |
| PART # | DIM A | | | | | | | | | | | | | | | | | |
| 6250R-1-* | .031 | | | | | | | | | | | | | | | | | |
| 6250R-2-* | .063 | | | | | | | | | | | | | | | | | |
| 6250R-3-* | .125 | | | | | | | | | | | | | | | | | |

| | | | |
|--|--|--|---|
| <p>6230-*</p> <p>STRAIGHT MALE JACK RECEPTACLE</p>  <p>.450 .295 .155 .038 dia .250 sq. (typ) .200 (typ) .040 sq. (typ)</p> | <p>6230B-*</p> <p>STRAIGHT MALE BULKHEAD JACK RECEPTACLE</p>  <p>.640 .485 .440 .155 #10-32 UNF 1/4 hex .038 dia .250 sq. (typ) .200 (typ) .040 sq. (typ)</p> | <p>6231-*</p> <p>RIGHT ANGLE MALE JACK RECEPTACLE</p>  <p>.43 .15 .155 .50 .38 .038 dia .250 sq. (typ) .200 (typ) .040 sq. (typ)</p> | <p>6246-*</p> <p>STRAIGHT FEMALE PLUG RECEPTACLE</p>  <p>.47 .316 .155 .038 dia .250 sq. (typ) .200 (typ) .040 sq. (typ)</p> |
|--|--|--|---|

XX SEE NOTE ON SPECIFICATION SHEET FOR CABLE GROUPS, MATERIAL, FINISH CODES AND MOUNTING HOLE SIZE; PRE-TINNED LEGS AND CONTACTS AVAILABLE BY ADDING SUFFIX "P" TO PART NUMBER (i.e., 6230P-1)

* 1 indicates gold plating, -7 indicates nickel plating

SMB RESISTIVE TERMINATIONS, INTRA SERIES ADAPTERS, & PRINTED CIRCUIT BOARD CABLE TERMINATIONS

| | | | |
|--|--|--|--|
| <p>6005F-51-*</p> <p>FEMALE PLUG RESISTIVE TERMINATION</p> <p>(51 Ohm, 0.5W, 5%)</p> | <p>6005M-51-*</p> <p>MALE JACK RESISTIVE TERMINATION</p> <p>(51 Ohm, 0.5W, 5%)</p> | <p>6234-*</p> <p>MALE TO MALE ADAPTER</p> <p>1/4 hex</p> | <p>6243-*</p> <p>BULKHEAD MALE TO MALE ADAPTER</p> <p>#10-32 UNF 1/4 hex</p> |
|--|--|--|--|

| | | | |
|--|--|--|--|
| <p>6237-*</p> <p>FEMALE TO FEMALE ADAPTER</p> <p>1/4 hex</p> | <p>6229-*</p> <p>FEMALE TO FEMALE TO FEMALE ADAPTER</p> <p>Available with Offset Bracket</p> | <p>6228-*</p> <p>MALE TO MALE TO MALE ADAPTER</p> <p>Available with Offset Bracket</p> | <p>6236-*</p> <p>MALE TO FEMALE TO MALE ADAPTER</p> <p>Available with Offset Bracket</p> |
|--|--|--|--|

| | | |
|--|--|--|
| <p>6254-*</p> <p>FEMALE TO MALE TO FEMALE ADAPTER</p> <p>Available with Offset Bracket</p> | <p>6253-*</p> <p>MALE TO MALE TO FEMALE ADAPTER</p> <p>Available with Offset Bracket</p> | <p>6255-*</p> <p>MALE TO FEMALE TO FEMALE ADAPTER</p> <p>Available with Offset Bracket</p> |
|--|--|--|

P.C. BOARD TERMINATIONS

| | | | |
|--|--|---|---|
| <p>6167-XX-*</p> <p>STRAIGHT CABLE TERMINATION</p> <p>7/32 hex</p> <p>Clamp or Solder Type</p> | <p>8367-XX-*</p> <p>STRAIGHT CABLE TERMINATION</p> <p>Crimp Type</p> | <p>6266-XX-*</p> <p>RIGHT ANGLE CABLE TERMINATION</p> <p>7/32 hex</p> <p>Clamp or Solder Type</p> | <p>8466-XX-*</p> <p>RIGHT ANGLE CABLE TERMINATION</p> <p>Crimp Type</p> |
|--|--|---|---|

XX SEE NOTE ON SPECIFICATION SHEET FOR CABLE GROUPS, MATERIAL, FINISH CODES AND MOUNTING HOLE SIZE

* 1 indicates gold plating, -7 indicates nickel plating

Bulkhead models are designed for use with .093" max thick panel.

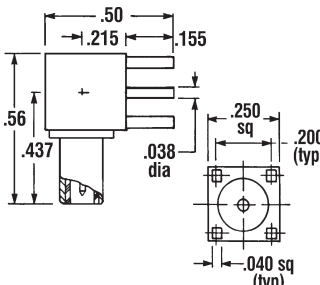
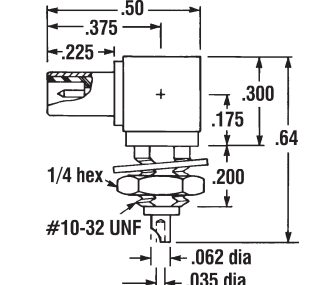
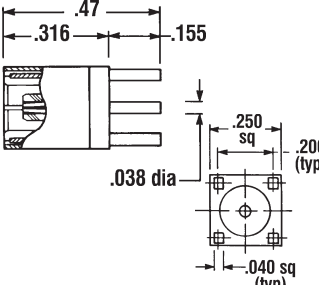
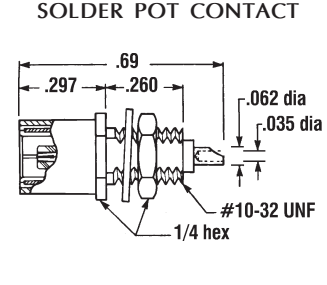
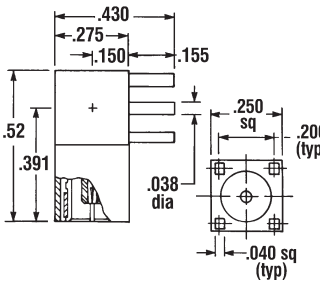
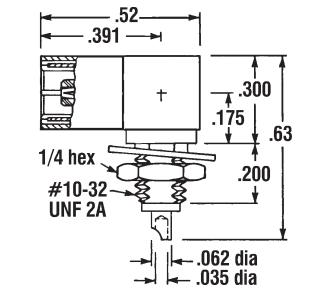
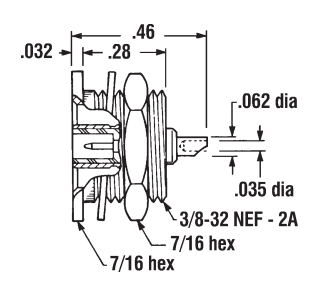
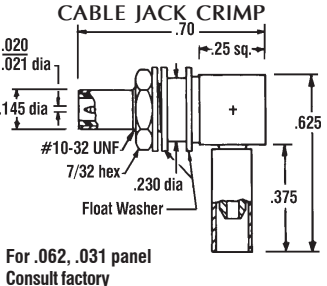
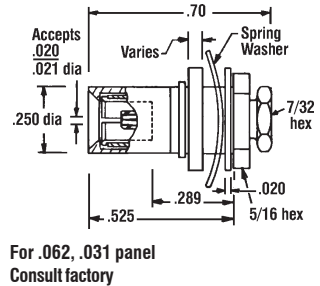
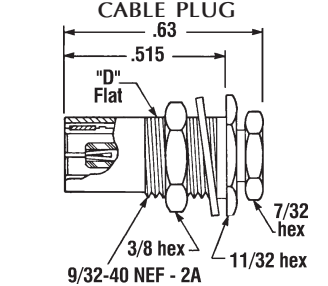
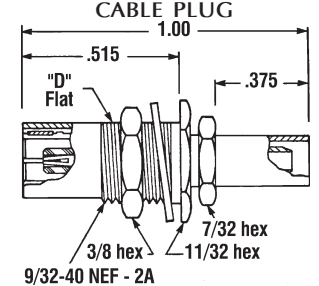
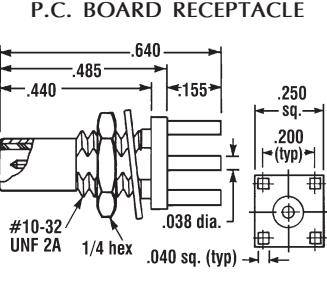
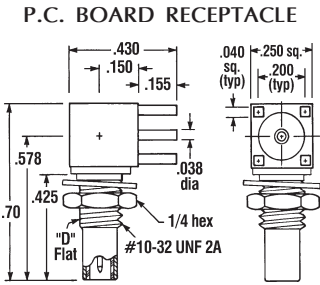
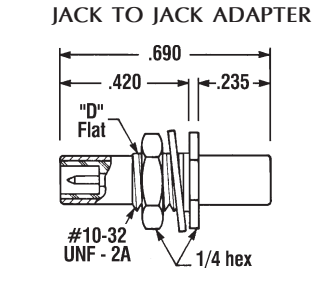
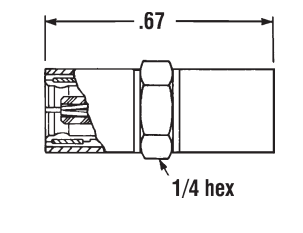
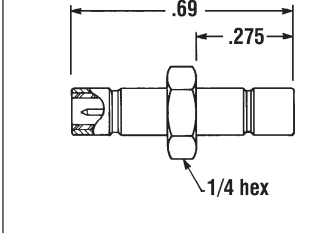
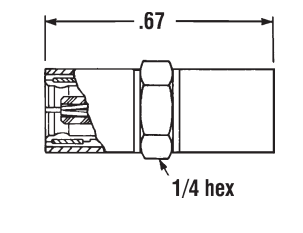
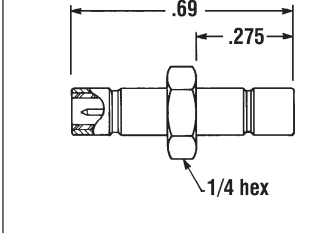
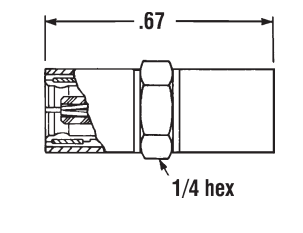
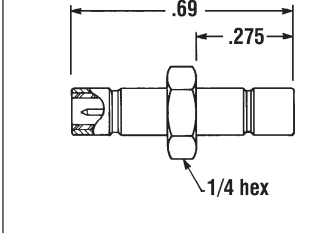
CMS (SLIDE ON) FOR FLEXIBLE & SEMIRIGID CABLE, BULKHEAD & PRINTED CIRCUIT BOARDS



| | | | |
|---|--|--|--|
| <p>9822-XX-*</p> <p>STRAIGHT MALE CABLE JACK</p> <p>Clamp for Flexible Cable Solder/Clamp for Cable Groups 30 & 31</p> | <p>9862-XX-*</p> <p>RIGHT ANGLE MALE CABLE JACK COMPRESSION FITTING</p> <p>Clamp for Flexible Cable Solder/Clamp for Cable Groups 30 & 31</p> | <p>9882-XX-*</p> <p>STRAIGHT MALE CABLE JACK</p> <p>Crimp Type</p> | <p>9885-XX-*</p> <p>RIGHT ANGLE MALE CABLE JACK</p> <p>Crimp Type</p> |
| <p>9823-XX-*</p> <p>STRAIGHT FEMALE CABLE PLUG</p> <p>Clamp for Flexible Cable Solder/Clamp for Cable Groups 30 & 31</p> | <p>9827-XX-*</p> <p>RIGHT ANGLE MALE BULKHEAD CABLE JACK - COMPRESSION FITTING</p> <p>Clamp for Flexible Cable Solder/Clamp for Cable Groups 30 & 31</p> | <p>9883-XX-*</p> <p>STRAIGHT FEMALE CABLE PLUG CRIMP FITTING</p> <p>Crimp Type</p> | <p>9887-XX-*</p> <p>RIGHT ANGLE MALE BULKHEAD CABLE JACK</p> <p>Crimp Type</p> |
| <p>9824-XX-*</p> <p>STRAIGHT MALE BULKHEAD CABLE JACK</p> <p>Clamp for Flexible Cable Solder/Clamp for Cable Groups 30 & 31</p> | <p>9826-XX-*</p> <p>RIGHT ANGLE FEMALE CABLE PLUG</p> <p>Clamp for Flexible Cable Solder/Clamp for Cable Groups 30 & 31</p> | <p>9884-XX-*</p> <p>STRAIGHT MALE BULKHEAD CABLE JACK</p> <p>Crimp Type</p> | <p>9886-XX-*</p> <p>RIGHT ANGLE FEMALE CABLE PLUG</p> <p>Crimp Type</p> |
| <p>9825B-*</p> <p>STRAIGHT MALE CHASSIS JACK RECEPTACLE SOLDER POT CONTACT</p> <p>Nut in Front of Panel</p> | <p>9830-*</p> <p>STRAIGHT MALE JACK RECEPTACLE</p> <p>Nut Behind Panel</p> | <p>9840-*</p> <p>STRAIGHT MALE JACK RECEPTACLE</p> | <p>9831-*</p> <p>RIGHT ANGLE MALE JACK RECEPTACLE</p> |

XX SEE NOTE ON SPECIFICATION SHEET FOR CABLE GROUPS, MATERIAL, FINISH CODES AND MOUNTING HOLE SIZE

* 1 indicates gold plating, -7 indicates nickel plating

| <p>9831D-*</p> <p>RIGHT ANGLE MALE JACK RECEPTACLE</p>  | <p>9833-*</p> <p>RIGHT ANGLE MALE CHASSIS JACK RECEPTACLE</p>  | <p>9841-*</p> <p>STRAIGHT FEMALE PLUG RECEPTACLE</p>  | <p>9838-*</p> <p>STRAIGHT FEMALE PLUG CHASSIS RECEPTACLE SOLDER POT CONTACT</p>  | | | | |
|--|--|--|--|----------------------------|------------------------|--|---|
| <p>9863-*</p> <p>RIGHT ANGLE FEMALE RECEPTACLE PLUG</p>  | <p>9860-*</p> <p>RIGHT ANGLE FEMALE BULKHEAD RECEPTACLE PLUG</p>  | <p>9835-*</p> <p>RECESSED BULKHEAD MALE JACK RECEPTACLE</p>  | <p>9898-XX-*</p> <p>RIGHT ANGLE MALE FLOATING BULKHEAD CABLE JACK CRIMP</p>  <p>For .062, .031 panel Consult factory</p> | | | | |
| <p>9899-XX-*</p> <p>STRAIGHT FEMALE FLOATING BULKHEAD CABLE PLUG</p>  <p>Accepts .020, .021 dia</p> <p>Varies</p> <p>For .062, .031 panel Consult factory</p> | <p>9829-XX-*</p> <p>BULKHEAD MOUNTED STRAIGHT FEMALE CABLE PLUG</p>  | <p>9889-XX-*</p> <p>BULKHEAD MOUNTED STRAIGHT FEMALE CABLE PLUG</p>  | <p>9830B-*</p> <p>BULKHEAD MOUNTED STRAIGHT MALE JACK P.C. BOARD RECEPTACLE</p>  | | | | |
| <p>9831B-*</p> <p>BULKHEAD MOUNTED RIGHT ANGLE MALE JACK P.C. BOARD RECEPTACLE</p>  | <p>9243-*</p> <p>BULKHEAD MOUNTED STRAIGHT MALE JACK TO JACK ADAPTER</p>  | <p>INTRA SERIES ADAPTERS</p> <table border="1"> <thead> <tr> <th data-bbox="852 1543 1169 1575">9237-* FEMALE TO FEMALE</th> <th data-bbox="1177 1543 1518 1575">9234-* MALE TO MALE</th> </tr> </thead> <tbody> <tr> <td data-bbox="852 1585 1169 1879">  </td> <td data-bbox="1177 1585 1518 1879">  </td> </tr> </tbody> </table> | | 9237-* FEMALE TO FEMALE | 9234-* MALE TO MALE |  |  |
| 9237-* FEMALE TO FEMALE | 9234-* MALE TO MALE | | | | | | |
|  |  | | | | | | |

XX SEE NOTE ON SPECIFICATION SHEET FOR CABLE GROUPS, MATERIAL, FINISH CODES AND MOUNTING HOLE SIZE

* 1 indicates gold plating, -7 indicates nickel plating