



Features

- Lead free versions available (see How to Order)
- Lead free versions are RoHS compliant*
- IEEE802.3af/ANSI X3.263

Applications

- VoIP
- PoE

SM51521 10/100 Base Tx VoIP Modules (Power over Ethernet - PoE)

Electrical Specifications

DC Resistance Balance	≤ 3.5 %
Turns Ratio (TX/RX)	1CT: 1CT
Insertion Loss	1-100 MHz, -1.2 dB max.
Return Loss (@ 100 ohms)	
1-30 MHz	-16 dB min.
40 MHz	-14 dB min.
50 MHz	-13 dB min.
60-80 MHz	-12 dB min.
Cross Talk	
60 MHz	-40 dB min.
100 MHz	-35 dB min.
DCMRR	
30 MHz	-43 dB min.
60 MHz	-37 dB min.
100 MHz	-33 dB min.
Isolation	1500 VAC
Operating Temperature	-40 °C to +85 °C

Packaging Specifications

.....400 pcs./reel

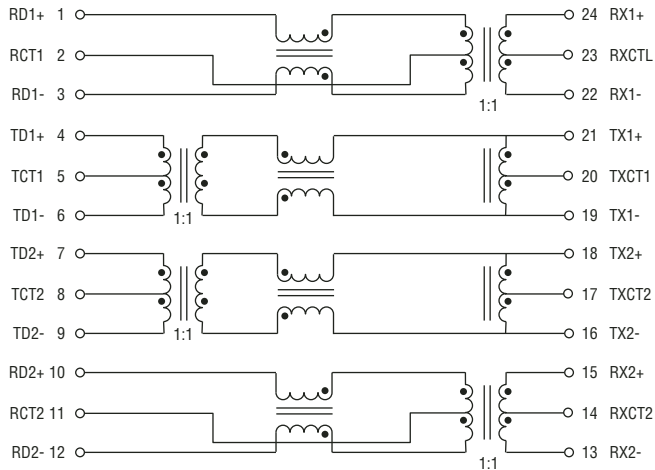
How to Order

Model SM51521E

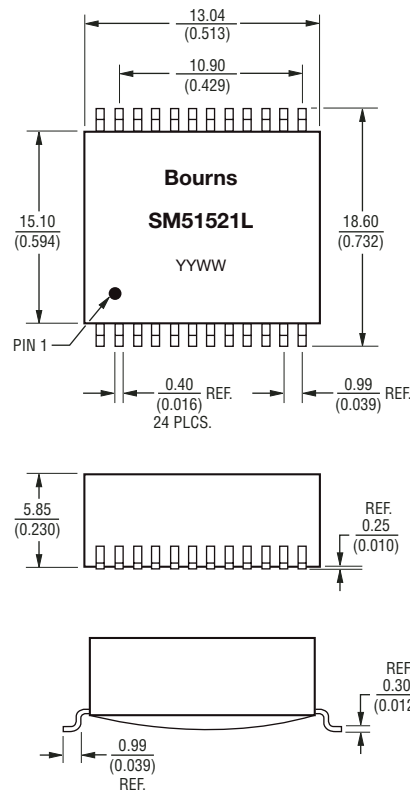
Termination _____

Blank = Tin-lead
L = Tin only (lead free)

Electrical Schematic



Product Dimensions



Recommended Layout

