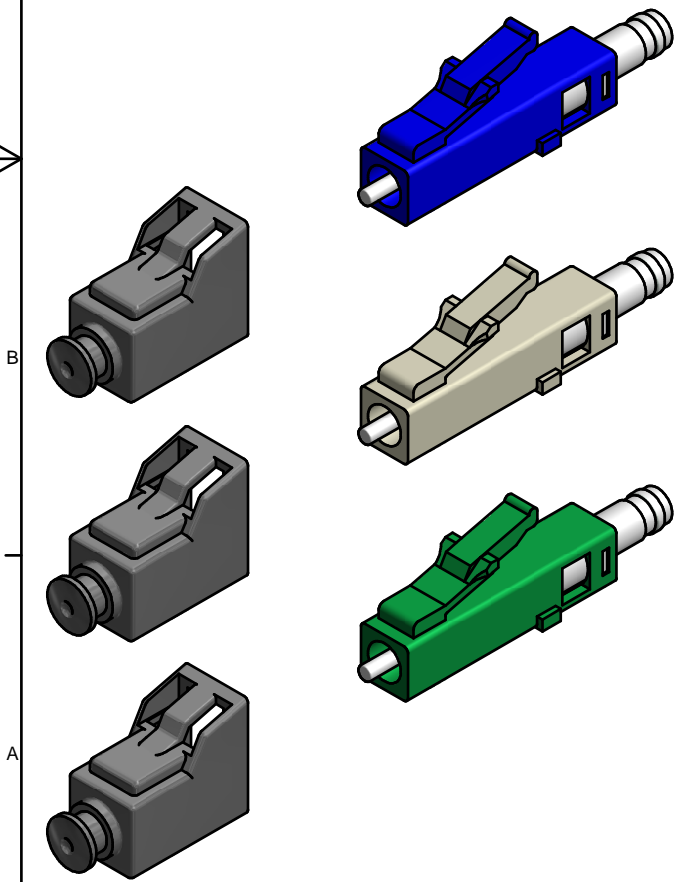
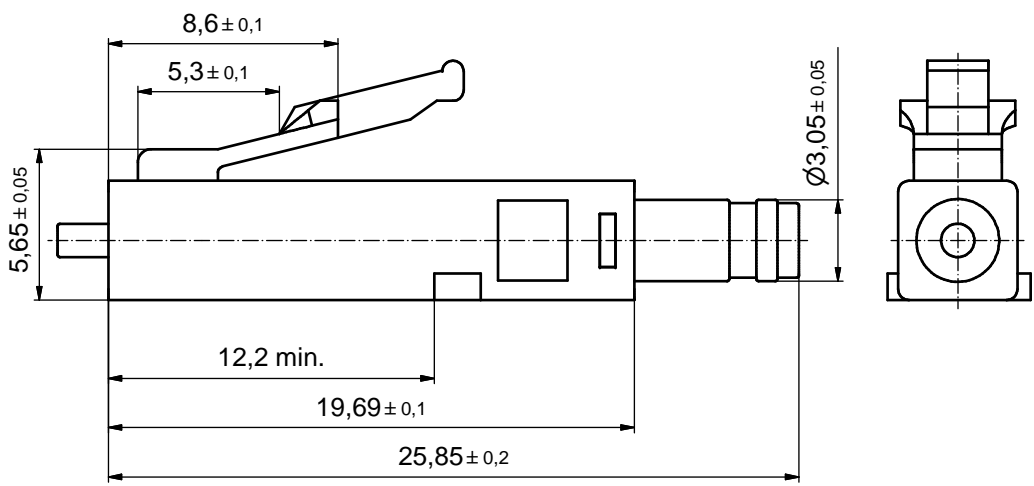


LC Plug



Description	Colour LC Plug Housing	Part No.
SINGLE MODE (SM)	Blue	18-000010
MULTI MODE (MM)	Beige	18-000020
APC SINGLE MODE (APC SM)	Green	18-000030

- NOTES:
- LC PLUG HOUSING: PP UL 94 V-0
COLOUR: SM BLUE / MM BEIGE / APC SM GREEN
 - INNER SUB ASSEMBLY: ZIRCONIA, METAL AND PTFE
 - DUST CAP: PP UL 94 V-0; BLACK
 - OPERATING TEMPERATURE: -40°C TO +85°C

Directive 2002/95/EC RoHS compliant

THIS DRAWING MAY NOT BE COPIED OR REPRODUCED IN ANY WAY, AND MAY NOT BE PASSED ON TO A THIRD PARTY WITHOUT WRITTEN PERMISSION. OWNERSHIP AND COPYRIGHT OF CONEC GmbH DO NOT ALTER CAD DRAWING BY HAND	tolerance		 dim. in mm	scale: 5:1	
	material:			SEE NOTES	
	date	name		title:	
	drawn 30.07.13	Lehmenkühler		LC CONNECTOR	
	appd. 31.07.13	Koch		SINGLE MODE / MULTI MODE / APC SINGLE MODE	
norm			dwg no:		
d-old			18K1A776		
rev. a	Original			DIN-A3	
rev.	description	date	name	sh: 1	
				part no: SEE TABLE	