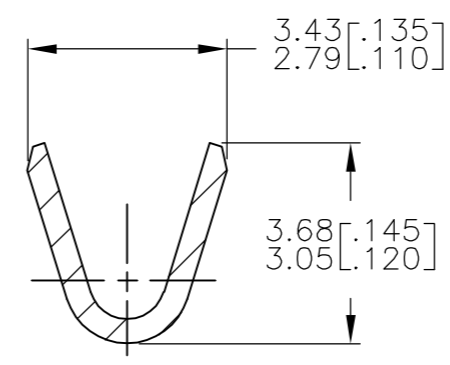
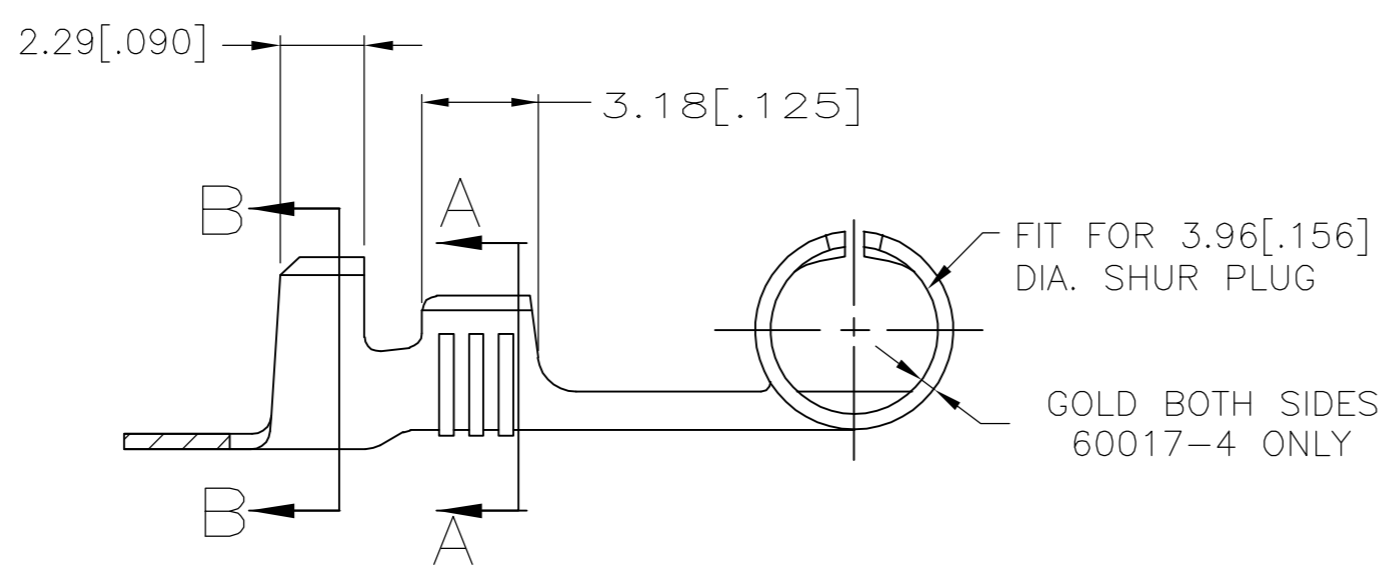
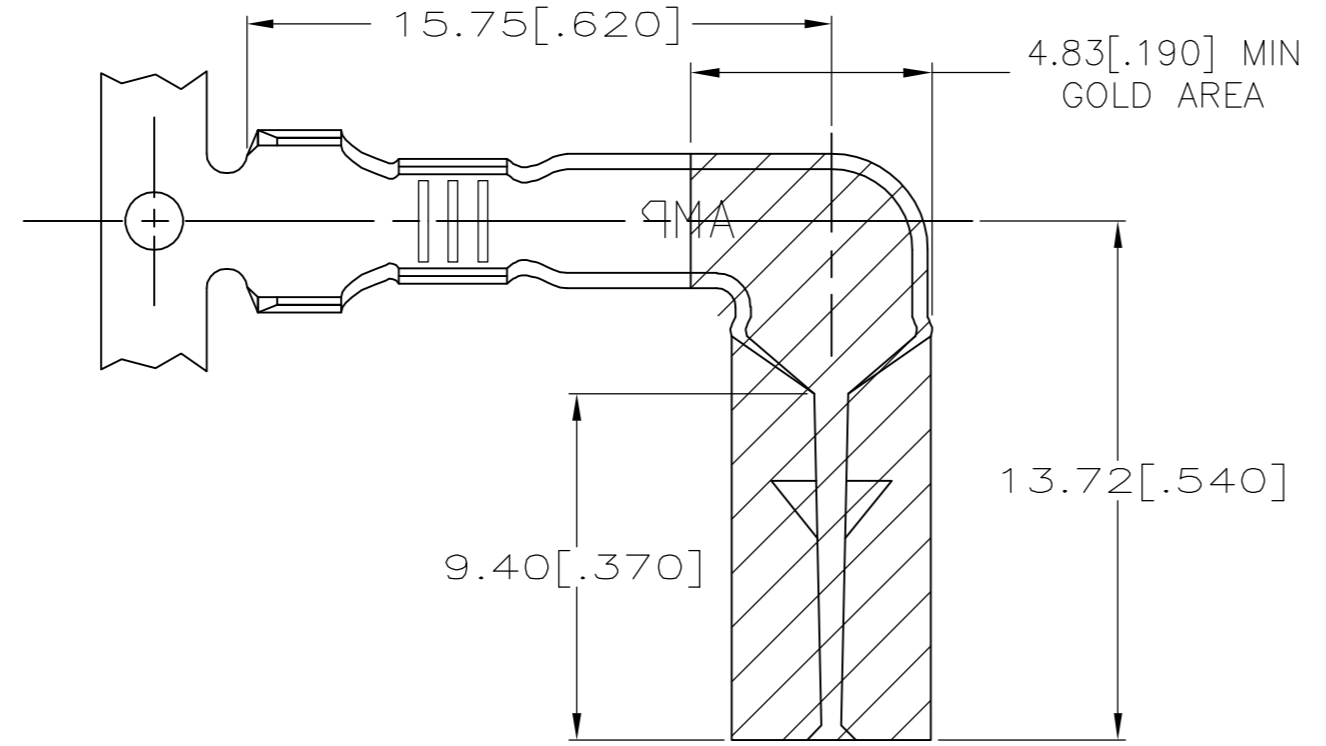


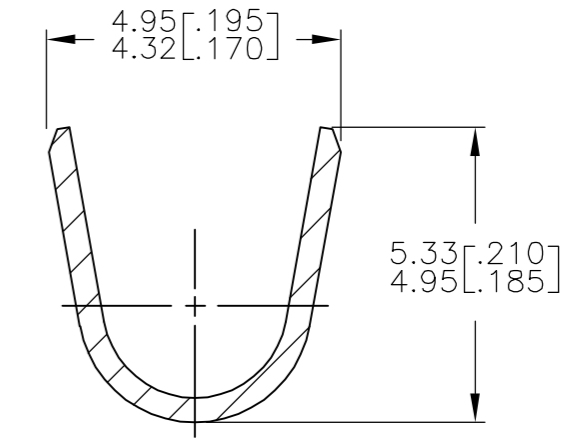
THIS DRAWING IS UNPUBLISHED. RELEASED FOR PUBLICATION  
 © COPYRIGHT BY TYCO ELECTRONICS CORPORATION. ALL RIGHTS RESERVED.

LOC	DIST	REVISIONS			
P	LTR	DESCRIPTION	DATE	DWN	APVD
AF	50	L	REV PER 0G3A-0097-04	13FEB2004	RF DD

- 1 CONTINUOUS STRIP ON REELS
- 2 DIMS IN BRACKETS ARE IN INCHES
- △ PRELIMINARY - NOT FOR PRODUCTION



SECTION A-A  
SCALE 8:1



SECTION B-B  
SCALE 8:1

REMARKS	INSULATION RANGE	WIRE RANGE	FINISH	PART NO
OBSOLETE	2.54-3.56 [.100-.140]	0.5-1.4mm <sup>2</sup> [20-16]	GOLD OVER NICKEL	60017-4
-	2.54-3.56 [.100-.140]	0.5-1.4mm <sup>2</sup> [20-16]	NONE	60017-3
-	2.54-3.56 [.100-.140]	0.5-1.4mm <sup>2</sup> [20-16]	TIN	△ 60017-2
OBSOLETE	2.54-3.56 [.100-.140]	0.5-1.4mm <sup>2</sup> [20-16]	NONE	60017-1

THIS DRAWING IS A CONTROLLED DOCUMENT.		DWN R FLAIG 28MAY03	Tyco Electronics Corporation LICKDALE, PA 17038	
DIMENSIONS: MM		CHK D DECKER 28MAY03		
TOLERANCES UNLESS OTHERWISE SPECIFIED:		APVD D DECKER 28MAY03	NAME SHUR PLUG RECEPTACLE (RIGHT ANGLE)	
0 PLC ± - 1 PLC ± - 2 PLC ± - 3 PLC ± 0.38 [.015] 4 PLC ± - ANGLES ± -		PRODUCT SPEC	SIZE CAGE CODE DRAWING NO RESTRICTED TO	
MATERIAL 0.41 [.016] THK BRASS		FINISH SEE TABLE	A2 00779 C=60017	
		WEIGHT -	SCALE 5:1 SHEET 1 OF 1 REV L	
		CUSTOMER DRAWING		