

ADSL Magnetics

For Analog Devices AD20MSP918 (Custom)

- Designed to meet IEC 950 safety requirements for supplementary insulation at 250V
 - Minimum interwinding breakdown voltage of 1500 Vrms
 - Developed for custom CO designs requiring a 1 : 1.4 turns ratio
- Operating temperature range: -40° C to +85° C
 - Meets IEC 695, 2-2 flammability requirements
 - PWB Process Capability: standard printed wiring board assembly techniques, total-immersion cleaning
 - Reliability testing: shock, vibration, temperature cycling, temperature - humidity - bias

ELECTRICAL SPECIFICATIONS AT 25° C

Part Number	Package	Turns Ratio ± 2%	Inductance ² mH ±10%	Leakage Inductance µH max	DCR Ω max		Longitudinal Balance ¹ db min	Insertion Loss ¹ dB max	Frequency Response ¹ dB	Harmonic Distortion ¹ dB max
		Chip : Line	Chip Side	Chip Side	Chip Side	Line Side	30 kHz - 1.1 MHz	300 kHz	30 kHz - 1.1 MHz	30 kHz Vrms
S560-6600-B3	SMD	1 : 1.417	2	7	4	4	46	0.5	± 0.5	-80
0560-6600-A1	THT	1 : 1.417	2	7	4	4	46	0.5	± 0.5	-80

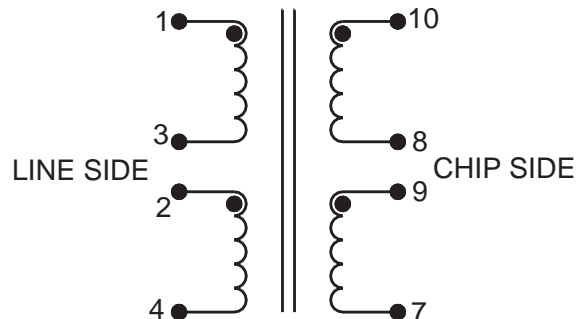
All measurements are made with pins 2 and 3 connected and pins 8 and 9 connected

1. Source resistance equals 100Ω

2. measured at 10 kHz, 0.1 Vac

SCHEMATIC

S560-6600-B3
0560-6600-A1

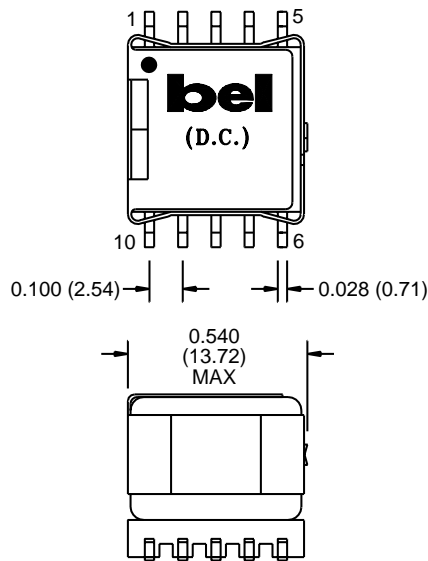


ADSL Magnetics

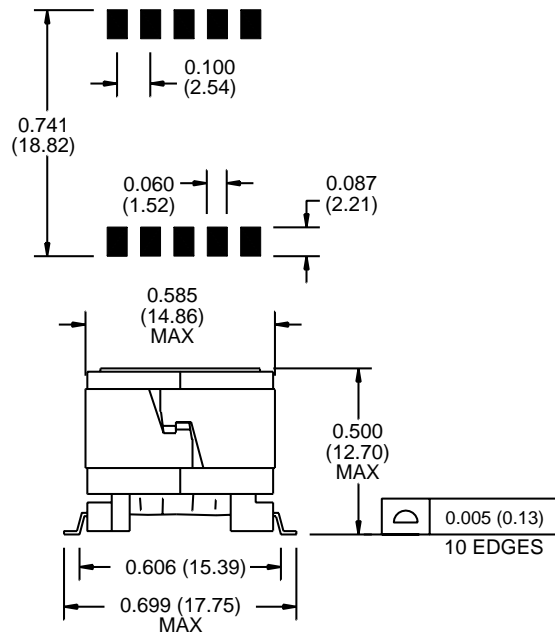
For Analog Devices AD20MSP918 (Custom)

MECHANICAL

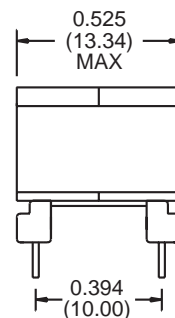
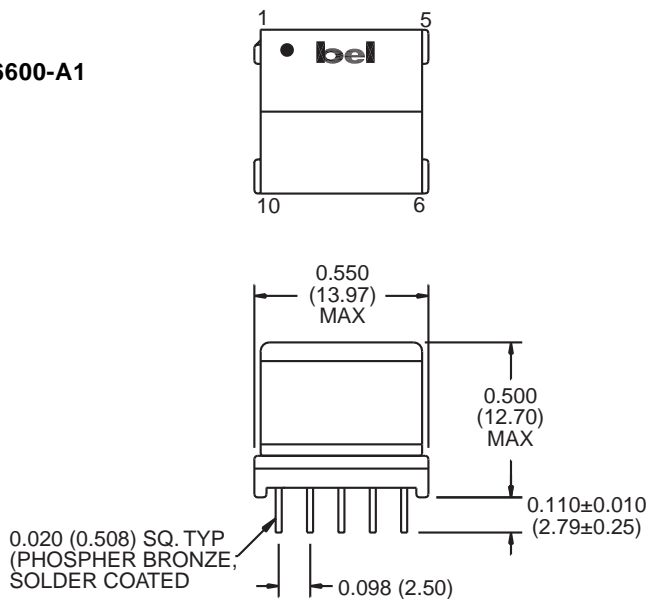
S560-6600-B3



SUGGESTED PCB PAD LAYOUT



0560-6600-A1



©2000 Bel Fuse Inc. Specifications subject to change without notice. 06.00

CORPORATE

Bel Fuse Inc.
198 Van Vorst Street
Jersey City, NJ 07302
Tel 201-432-0463
Fax 201-432-9542
www.belfuse.com

FAR EAST

Bel Fuse Ltd.
8F / 8 Luk Hop Street
San Po Kong
Kowloon, Hong Kong
Tel 852-2328-5515
Fax 852-2352-3706
www.belfuse.com

EUROPE

Bel Fuse Europe Ltd.
Preston Technology Management Centre
Marsh Lane, Suite G7, Preston
Lancashire, PR1 8UD, U.K.
Tel 44-1772-556601
Fax 44-1772-888366
www.belfuse.com